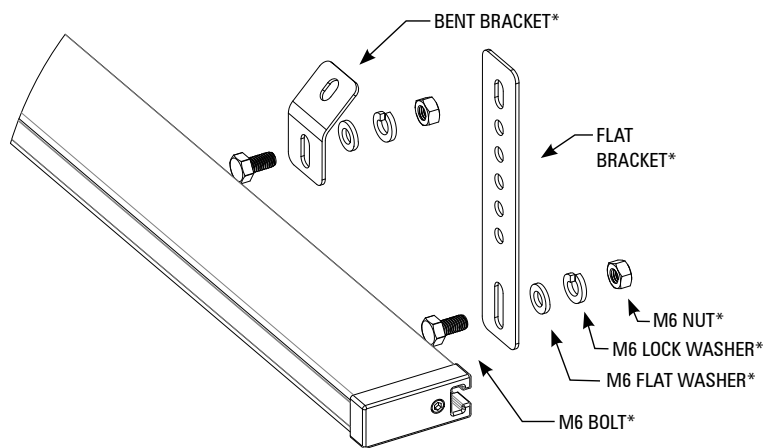


## nLINE RUNNING LIGHT

ENL172(x) - nLINE 72" LED Surface Mount Running Light

ENL160(x) - nLINE 60" LED Surface Mount Running Light

ENL148(x) - nLINE 48" LED Surface Mount Running Light



\*Hardware quantities may vary depending on length

WIRE HOOK-UP TABLE	
WIRE COLOR	CONNECT TO
RED	+Vdc
BLACK	Ground (-)
WHITE	Pattern Select/Sync
GREEN	Simultaneous or Alternate

**⚠ WARNING**

This product contains high intensity LED devices. To prevent eye damage, DO NOT stare into the light beam at close range.

### ⚠ WARNING

- HIGH CURRENT interconnects must be properly terminated. Poor crimp quality can cause heat build-up and fire. Follow crimp connector manufacturer instructions.
- DO NOT install this product or route any wires in the Air Bag Deployment Zone. Refer to vehicle Owner's Manual for deployment zones.
- Do NOT use system to disconnect headlights, brake lights or other safety equipment.
- Unit may become hot to touch during normal operation.
- Failure to properly install connectors, fuses or wiring may cause vehicle failure or fire.
- Installation must only be performed by trained technician. Installer must determine vehicle wiring configuration and proper integration of system.
- Use proper wire gauge. All power wires connecting to positive (+) or negative (-) battery terminal or local chassis ground (-) must be sized to supply at least 125% of max. current and properly fused at power source.
- Install protective grommets when routing wire through firewall or metal.



1.800.338.7337 / www.soundoffsignal.com

## INSTALLATION:

1. Establish a position on the bottom of the running board on the left or right side of your vehicle.
2. Evenly space brackets across the entire nLINE bar.
3. Use a 5/16" diameter drill for the wire holes.
4. Size pilot holes for mounting screws appropriately.
5. Fasten light using mounting screws (NOT SUPPLIED.)

Flash Patterns**	
PATTERN NAME	F.P.M. (FLASHES/MINUTE)
1. Quint	70
2. Warp***	350
3. Double Flash***	70
4. Quad	80
5. Power Pulse	180
6. Road Runner	113
7. Quad 2	68
8. Double 2	95
9. Chase 1	117
10. Chase 2***	70

\*\*An nLINE has 4, 5 or 6 segments, depending on length. These segments alternate flashing patterns 1-8 (odd segments flashing together & even segments flashing together.)

\*\*\*Does not meet SAE Standard

## PATTERN SELECT:

1. With light powered, touch WHITE wire to RED Power wire for 1 second.

## PATTERN RESET:

1. With light powered, touch WHITE wire to RED wire for 3 seconds.
2. Remove WHITE wire from power. Pattern resets to 1.

## SYNC MULTIPLE LIGHTS:

1. Set up all lights to the same pattern
2. Connect WHITE wires of all lights to sync together.
  - a. Insulate connections.

**NOTE: A maximum of 6 lights can be synced together**

3. GREEN wire Connection
  - a. For Simultaneous Flashing of a group of lights:
    - i. Connect all GREEN wires together of the group of lights desired to flash in unison.
    - ii. All GREEN wires connected together form one light group.
  - b. For alternating flashing of a group of lights:
    - i. Connect one group of GREEN wires to Power (+Vdc.)
    - ii. These lights will flash in unison.
    - iii. Connect one group of GREEN wires together but leave floating.
    - iv. These lights will flash in unison.
    - v. Together, both light groups will alternate.
    - vi. For two lights simply connect one GREEN wire to Power (+Vdc) and leave the other GREEN wire floating.
    - vii. Insulate connections.

## TECH SPECS: nLINE

Flash Patterns:	10 Flash Patterns
Light Sync:	Yes
Mounting:	Bracket
Input Voltage:	10 - 16 Vdc
Dimensions:	Width x Height x Depth 72" W x 2.25" H x .75" D 60" W x 2.25" H x .75" D 48" W x 2.25" H x .75" D
Operating Temp.:	-40° to +65° C

### NOTICE:

Installers and users must comply with all applicable federal, state and local laws regarding use and installation of warning devices.

*Improper use or installation may void warranty coverage.*

To review our Limited Warranty Statement & Return Policy for this or any SoundOff Signal product, visit our website at [www.soundoffsignal.com/tech-services/returns/](http://www.soundoffsignal.com/tech-services/returns/). If you have questions regarding this product, contact **Technical Services**, Monday - Friday, 8 a.m. to 5 p.m. or after hours 5 p.m. to 8 p.m. ET at 1.800.338.7337 (press #4). Questions or comments that do not require immediate attention may be emailed to [techservices@soundoffsignal.com](mailto:techservices@soundoffsignal.com).

SUPERIOR CUSTOMER RELATIONSHIPS. SMARTLY DESIGNED LIGHTING & ELECTRONIC SOLUTIONS.