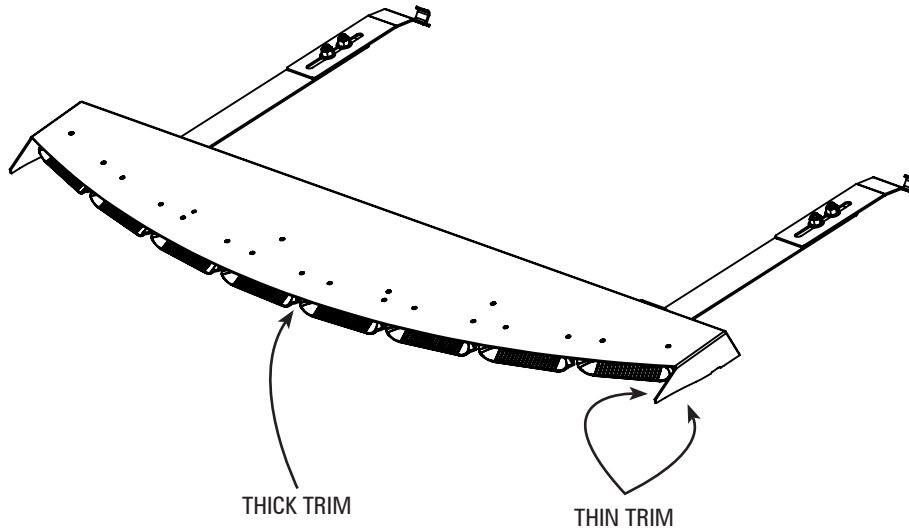




nFORCE LED Rear Deck Interior Lightbar
2013-2020 Ford PI Utility, Front Split



⚠ WARNING

- HIGH CURRENT interconnects must be properly terminated. Poor crimp quality can cause heat build-up and fire. Follow crimp connector manufacturer instructions.
- DO NOT install this product or route any wires in the Air Bag Deployment Zone. Refer to vehicle Owner's Manual for deployment zones.
- Do NOT use system to disconnect headlights, brake lights or other safety equipment.
- Unit may become hot to touch during normal operation.
- Failure to properly install connectors, fuses or wiring may cause vehicle failure or fire.
- Installation must only be performed by trained technician. Installer must determine vehicle wiring configuration and proper integration of system.
- Use proper wire gauge. All power wires connecting to positive (+) or negative (-) battery terminal or local chassis ground (-) must be sized to supply at least 125% of max. current and properly fused at power source.
- Install protective grommets when routing wire through firewall or metal.

NOTICE:

Installers and users must comply with all applicable federal, state and local laws regarding use and installation of warning devices.

Improper use or installation may void warranty coverage.

To review our Limited Warranty Statement & Return Policy for this or any SoundOff Signal product, visit our website at www.soundoffsignal.com/tech-services/returns/.

If you have questions regarding this product, contact **Technical Services**, Monday - Friday, 8 a.m. to 5 p.m. ET at **1.800.338.7337** (press #4).

Questions or comments that do not require immediate attention may be emailed to techservices@soundoffsignal.com.



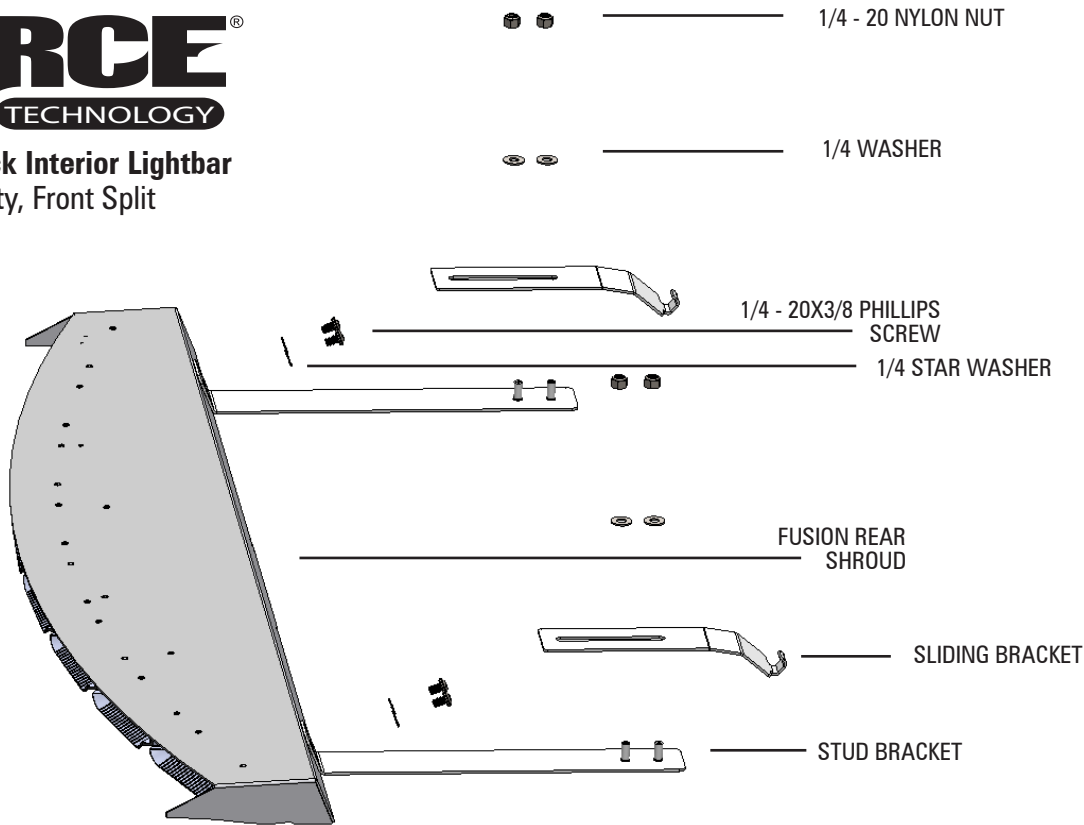
INTRODUCTION:

CONTAINS	
QTY	COMPONENT
1	Fusion Rear Shroud
2	Stud Brackets
2	Sliding Brackets
4	1/4-20 Nylock Nuts
4	1/4" Washers
4	1/4-20x 3/8" Phillips Head Screw
4	1/4" Star Washer

⚠ WARNING
This product contains high intensity LED devices. To prevent eye damage, DO NOT stare into the light beam at close range.



nFORCE LED Rear Deck Interior Lightbar
2013-2020 Ford PI Utility, Front Split

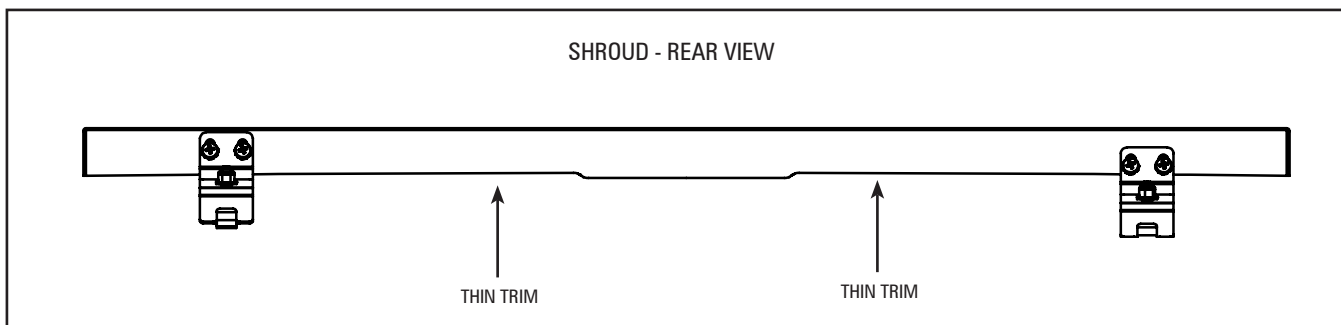


INSTALLATION:

1. Remove the plastic childseat restraint covers exposing the restraint slot.
2. Place trim, as shown on previous page and below.
3. Place the shroud against the rear window.
4. Fasten the stud brackets to the shroud with the studs facing up, as shown in Fig. 2.
5. Hook the sliding bracket into the restraint slot and place on top of the stud brackets, as shown in Fig. 2.
6. Adjust the sliding brackets to the desired length.
7. Tighten nylock nuts to secure sliding brackets to stud brackets.

OPERATION:

SEE 'ELECTRICAL INSTALLATION' SECTION OF THE nFORCE LED INTERIOR LIGHTBAR INSTALLATION PACKET.



NOTICE:

Installers and users must comply with all applicable federal, state and local laws regarding use and installation of warning devices.

Improper use or installation may void warranty coverage.

To review our Limited Warranty Statement & Return Policy for this or any SoundOff Signal product, visit our website at www.soundoffsignal.com/tech-services/returns/.

If you have questions regarding this product, contact **Technical Services**, Monday - Friday, 8 a.m. to 5 p.m. ET at 1.800.338.7337 (press #4).

Questions or comments that do not require immediate attention may be emailed to techservices@soundoffsignal.com.

⚠ WARNING

This product contains high intensity LED devices. To prevent eye damage, DO NOT stare into the light beam at close range.

