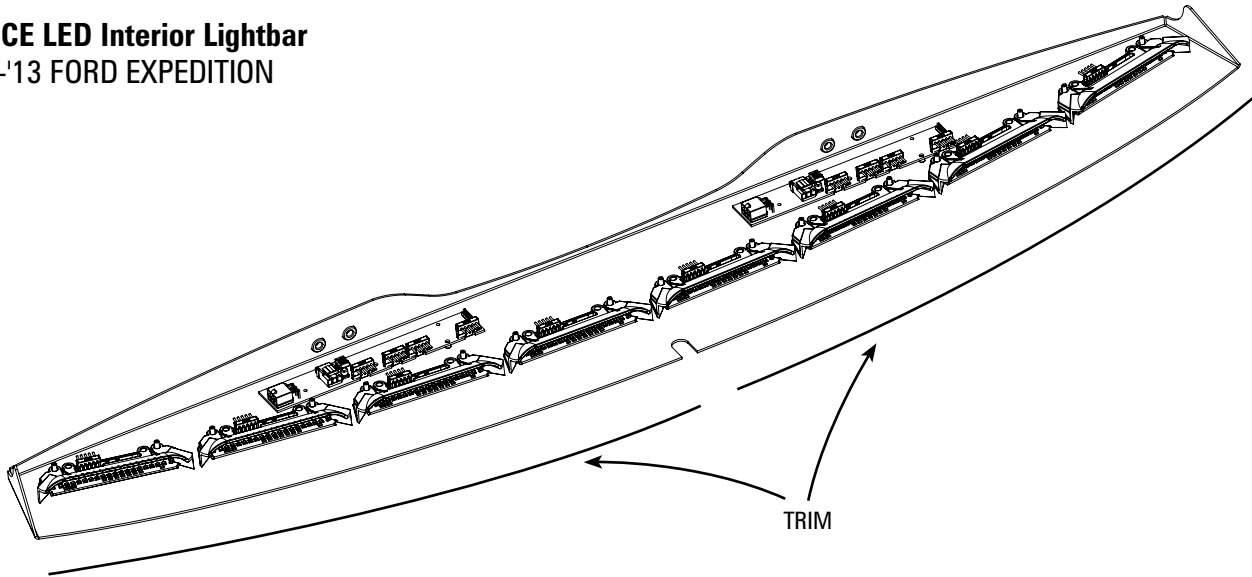


## nFORCE LED Interior Lightbar 2006-'13 FORD EXPEDITION



### Important Information:

- Warning devices are strictly regulated and governed by Federal, State and Municipal ordinances. These devices shall be used ONLY on approved vehicles. It is the sole responsibility of the user of these devices to ensure compliance.
- DO NOT install this product or route any wires in the Air Bag Deployment Zone. Refer to your vehicle Owner's Manual for the location of any air bag deployment zones.
- DO NOT connect this device to a strobe power supply. This product is self-contained and does not require an external power supply.

**SoundOff  
Signal**

1.800.338.7337 / [www.soundoffsignal.com](http://www.soundoffsignal.com)

Warning devices are strictly regulated and governed by Federal, State and Municipal ordinances. These devices shall be used ONLY on approved vehicles. It is the sole responsibility of the user of these devices to ensure compliance.

To review our Limited Warranty Statement & Return Policy for this or any SoundOff Signal product, visit our website at [www.soundoffsignal.com/sales-support](http://www.soundoffsignal.com/sales-support).  
If you have questions regarding this product, contact **Technical Services**, Monday - Friday, 8 a.m. to 5 p.m. at **1.800.338.7337** (press #4 to skip the automated message).  
Questions or comments that do not require immediate attention may be emailed to [techservices@soundoffsignal.com](mailto:techservices@soundoffsignal.com).

SUPERIOR CUSTOMER RELATIONSHIPS. SMARTLY DESIGNED LIGHTING & ELECTRONIC SOLUTIONS.

### INSTALLATION:

1. Assemble brackets using the provided Pan Head screws, Lock Washers and Nylon Nuts. Leave connection loose for adjustability during vehicle installation.
2. Attach brackets to shrouds using the supplied Phillips Head screws. Leave connection loose for adjustability during vehicle installation.
3. Remove all visor clips (2) and visor attachment brackets (2) per manufacturer's recommendations.
4. Place Mounting brackets underneath visor clip and attachment brackets and re-assemble to vehicle. For visor clips on the interior most part of the vehicle, a long screw may be required for re-assembly.
5. Adjust shrouds fore or aft so that shrouds are level and trim is touching window.
6. Tighten all screws to secure in place.
7. Route Wires to switching equipment. Be mindful to keep wire routing away from airbag deployment zones.

### OPERATION:

SEE 'ELECTRICAL INSTALLATION' SECTION OF THE nFORCE LED INTERIOR LIGHTBAR INSTALLATION PACKET.

