



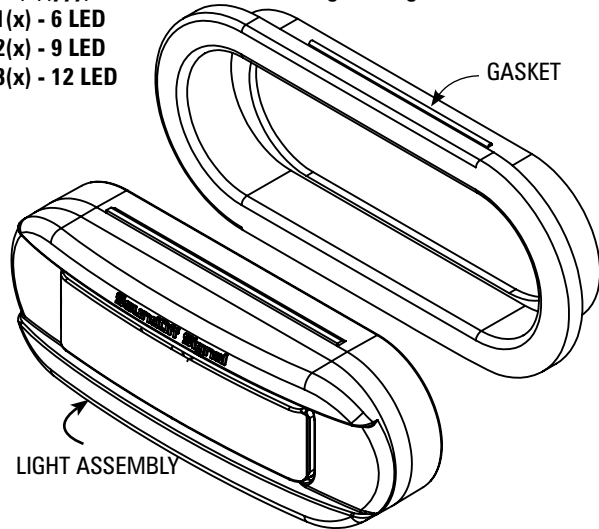
nFORCE 6" Oval Recess Mount Light, SAE Class 1

ENFSLSRV(x)(yyy) - Custom Ordered Through Configurator

ENFSRV1(x) - 6 LED

ENFSRV2(x) - 9 LED

ENFSRV3(x) - 12 LED



TECHNICAL SPECIFICATIONS		
6" OVAL RECESS MOUNT nFORCE		
Dimensions:	7.75"L x 3.25"H x 1.65"D	
Input Voltage:	10 - 16 Vdc or 10 - 30 Vdc *	
CURRENT CONSUMPTION PER MODULE		
	10-16 Vdc	10-30 Vdc *
6, 12 Split & 18 Tri-Color	<1.0A @12.8 Vdc	<0.6A @25.6 Vdc
9 LED Single Color	<1.5A @ 12.8 Vdc	<0.9A @ 25.6 Vdc
12 LED Single Color	<2.0A @12.8 Vdc	<1.2A @ 25.6 Vdc

* - Special Order

INSTALLATION:

1) Establish a position on the vehicle. Use the cutout template (provided) on 2nd page and cut hole. Insert grommet into cutout first and then press the light assemble into the grommet.

nFORCE SECONDARY INFORMATION:

WIRE HOOK-UP TABLE		
WIRE COLOR:	LIGHT HEAD	FUNCTION:
RED	1	Power
BLACK	1	Ground
**GREEN	1	Sync2 *
WHITE	1	To Ground: Pattern Select/ Setup
		To Power: Secondary Fuction -see page 2-

** To sync multiple nFORCE lights, connect the Green wires from each light together. *Individual light applications connect the Green & Blue wires together.

* Will NOT work w/ other sync products such as Ghost, LED3, & Interceptor.



PATTERN SELECT & SYNC CONFIGURATION INSTRUCTIONS

Connecting the WHITE or Yellow (Dual) wire to power will allow you to use the secondary function on your Nexus Secondary Light.

SECONDARY FUNCTION:

- 1-color module = Cruise Mode (10% brightness, non-flashing)
- 2 - color modules = Separate Color Control (see Setup Table) or Takedown (100% steady-burn of the 2nd color)
- 3 - color modules = Takedown (100% steady-burn of the 3rd color)

SETUP LIGHTS:

Simultaneous or Alternate Function

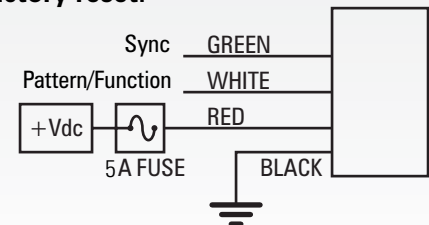
- 1 or 2. The modules will flash simultaneously if they are set to the same number. The modules will have an alternate flash if set to different numbers.

Color swap

- Off or On. 2-color and 3-color modules, it changes which color flashes first.

Separate color control(2 color lights only)

- Allows manual switching of flashing color. When this feature is programmed in the On state: the light will jump to the first pattern of the 1-color patterns, you will only be able to choose 1-color patterns, and Color Swap will be programmed to Off. To select a 2-color pattern, program this feature to the Off state. *To turn off Separate Color Control you must do a factory reset.



IMPORTANT INFORMATION:

Warning devices are strictly regulated and governed by Federal, State and Municipal ordinances. These devices shall be used ONLY on approved vehicles. It is the sole responsibility of the user of these devices to ensure compliance.

To review our Limited Warranty Statement & Return Policy for this or any SoundOff Signal product, visit our website at www.soundoffsignal.com/sales-support.

If you have questions regarding this product, contact **Technical Services**, Monday - Friday, 8 a.m. to 5 p.m. Eastern Time or during extended after hours coverage between 5 p.m. & 8 p.m. Eastern Time at **1.800.338.7337** (press #4 to skip the automated message).

Questions or comments that do not require immediate attention may be emailed to techservices@soundoffsignal.com.



SUPERIOR CUSTOMER RELATIONSHIPS. SMARTLY DESIGNED LIGHTING & ELECTRONIC SOLUTIONS.



SLAVE MODE

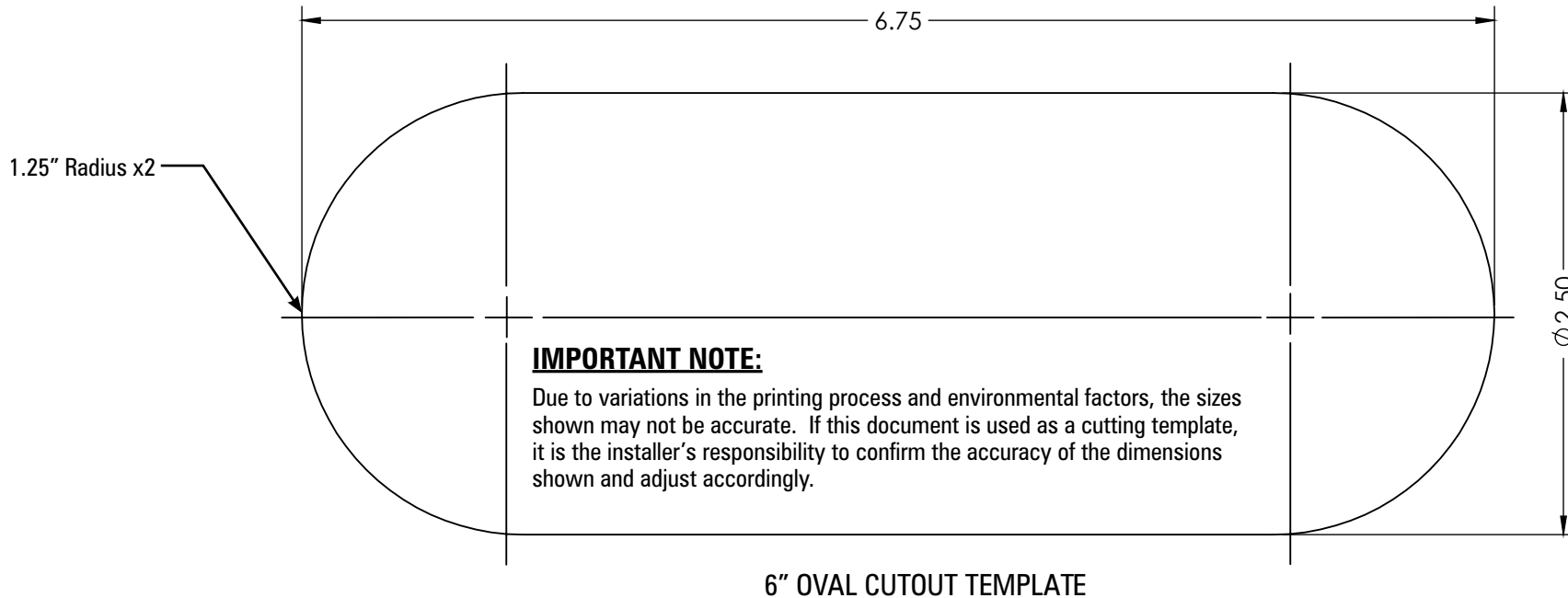
The nFORCE is capable of being activated through the use of a user supplied flasher by putting it in Slave Mode.

1. Permanently connect the nFORCE WHITE and BLACK wire (or WHITE/BLACK and YELLOW wire for second module of Dual Light) to a good, convenient ground.
2. Connect the nFORCE RED wire, *(Dual use RED & ORANGE wire) through a 5amp fuse, to the output of a +10-16Vdc switching flasher.

AFTER POWER IS ON, touching the WHITE or Yellow (Dual) wire to the ground will allow you to change various setting on the module. (See table below)

SECONDS		USER INTERFACE	
FROM	TO	VISUAL FEEDBACK	ACTION TAKEN
0	1	STEADY-HIGH (60%)	FORWARD ONE PATTERN
1	2	STEADY-LOW (30%)	BACKWARD ONE PATTERN
2	3	OFF	COLOR SWAP (OFF OR ON)
3	4	STEADY - HIGH (60%)	SIMULTANEOUS OR ALTERNATE
4	5	STEADY - LOW (30%)	SEPARATE COLOR CONTROL (OFF OR ON)
5	6	OFF	RESET TO PATTERN 1
6	7	STEADY-HIGH (60%)	FACTORY RESET (PATTERN 1, COLOR SWAP: OFF, SEQUENCE TYPE:1) SEPARATE COLOR CONTROL: OFF

If held longer than 7 seconds, the light will go back to flashing the current pattern and no action will be taken.



PATTERN LIST

1 COLOR MODULE PATTERNS		
# COLORS	NUMBER	NAME
1	1	QUINT
	2	WARP
	3	INTER-CYCLE
	4	DOUBLE
	5	QUAD
	6	POWER PULSE
	7	ROAD RUNNER
	8	Q-SWITCH
	9	STEADY-BURN DRIVER ROADRUNNER (SEQUENCE TYPE 1: STEADY BURN, SEQUENCE TYPE 2: ROADRUNNER)
	10	STEADY-BURN DRIVER TITLE 13 QUAD (SEQUENCE TYPE 1: STEADY BURN, SEQUENCE TYPE 2: TITLE 13 QUAD)
	11	QUAD 2
	12	DOUBLE 2

2 COLOR MODULE PATTERNS		
# COLORS	NUMBER	NAME
2	1	QUINT
	2	WARP
	3	INTER-CYCLE
	4	DOUBLE
	5	QUAD
	6	POWER PULSE
	7	ROAD RUNNER
	8	Q-SWITCH
	9	STEADY-BURN DRIVER ROADRUNNER (SEQUENCE TYPE 1: STEADY BURN, SEQUENCE TYPE 2: ROADRUNNER)
	10	STEADY-BURN DRIVER TITLE 13 QUAD (SEQUENCE TYPE 1: STEADY BURN, SEQUENCE TYPE 2: TITLE 13 QUAD)
	11	QUAD 2
	12	DOUBLE 2
1	13	QUINT
	14	WARP
	15	INTER-CYCLE
	16	DOUBLE
	17	QUAD
	18	POWER PULSE
	19	ROAD RUNNER
	20	Q-SWITCH
	21	STEADY-BURN DRIVER ROADRUNNER (SEQUENCE TYPE 1: STEADY BURN, SEQUENCE TYPE 2: ROADRUNNER)
	22	STEADY-BURN DRIVER TITLE 13 QUAD (SEQUENCE TYPE 1: STEADY BURN, SEQUENCE TYPE 2: TITLE 13 QUAD)
	23	QUAD 2
	24	DOUBLE 2

3 COLOR MODULE PATTERNS		
# COLORS	NUMBER	NAME
3	1	QUINT
	2	WARP
	3	INTER-CYCLE
	4	DOUBLE
	5	QUAD
	6	POWER PULSE
	7	ROAD RUNNER
	8	Q-SWITCH
	9	STEADY-BURN DRIVER ROADRUNNER (SEQUENCE TYPE 1: STEADY BURN, SEQUENCE TYPE 2: ROADRUNNER)
	10	STEADY-BURN DRIVER TITLE 13 QUAD (SEQUENCE TYPE 1: STEADY BURN, SEQUENCE TYPE 2: TITLE 13 QUAD)
	11	QUAD 2
	12	DOUBLE 2
2	13	QUINT
	14	WARP
	15	INTER-CYCLE
	16	DOUBLE
	17	QUAD
	18	POWER PULSE
	19	ROAD RUNNER
	20	Q-SWITCH
	21	STEADY-BURN DRIVER ROADRUNNER (SEQUENCE TYPE 1: STEADY BURN, SEQUENCE TYPE 2: ROADRUNNER)
	22	STEADY-BURN DRIVER TITLE 13 QUAD (SEQUENCE TYPE 1: STEADY BURN, SEQUENCE TYPE 2: TITLE 13 QUAD)
	23	QUAD 2
	24	DOUBLE 2