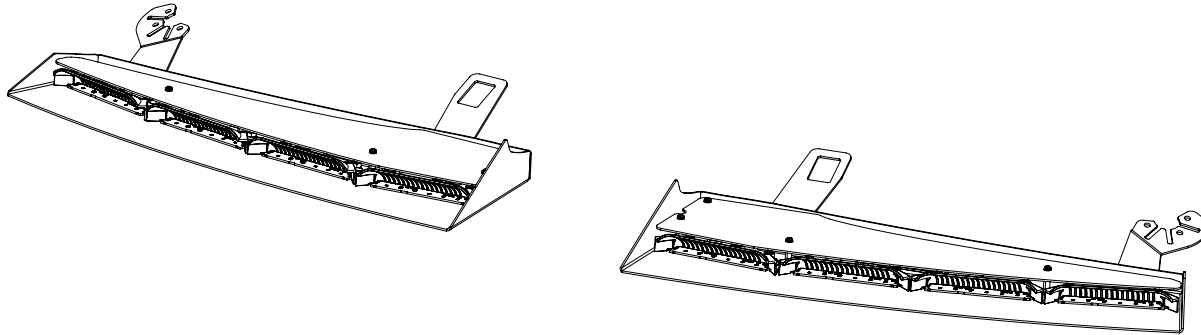




**nFORCE LED INTERIOR LIGHTBAR**  
2021-2022 DODGE DURANGO, SPLIT



**⚠ WARNING**

- HIGH CURRENT interconnects must be properly terminated. Poor crimp quality can cause heat build-up and fire. Follow crimp connector manufacturer instructions.
- DO NOT install this product or route any wires in the Air Bag Deployment Zone. Refer to vehicle Owner's Manual for deployment zones.
- Do NOT use system to disconnect headlights, brake lights or other safety equipment.
- Unit may become hot to touch during normal operation.
- Failure to properly install connectors, fuses or wiring may cause vehicle failure or fire.
- Installation must only be performed by trained technician. Installer must determine vehicle wiring configuration and proper integration of system.
- Use proper wire gauge. All power wires connecting to positive (+) or negative (-) battery terminal or local chassis ground (-) must be sized to supply at least 125% of max. current and properly fused at power source.
- Install protective grommets when routing wire through firewall or metal.

**NOTICE:**

Installers and users must comply with all applicable federal, state and local laws regarding use and installation of warning devices.

*Improper use or installation may void warranty coverage.*

To review our Limited Warranty Statement & Return Policy for this or any SoundOff Signal product, visit our website at [www.soundoffsignal.com/tech-services/returns/](http://www.soundoffsignal.com/tech-services/returns/).

If you have questions regarding this product, contact **Technical Services**, Monday - Friday, 8 a.m. to 5 p.m. ET at 1.800.338.7337 (press #4).

Questions or comments that do not require immediate attention may be emailed to [techservices@soundoffsignal.com](mailto:techservices@soundoffsignal.com).

**INTRODUCTION:**

Design highlights for 2021 Durango nFORCE® Lightbar for Front Interior:

- 8 module, split 2 piece shroud design
- Improved wire management incorporated into design
- Powder coat is smoother, less textured, than traditional SoundOff Signal® interior lightbars

CONTAINS	
QTY	COMPONENT
1	Windshield Shroud, Passenger Side
1	Outer Hanging Bracket, Passenger Side
1	Inner Hanging Bracket, Passenger Side
1	Windshield Shroud, Driver Side
1	Outer Hanging Bracket, Driver Side
1	Inner Hanging Bracket, Driver Side
4	1/4"-20 x 3/8" Black Pan Phillips M-S
4	1/4" Black Star Washer
1	Thin Trim
1	Product Warning Card
1	Installation Instruction Sheet

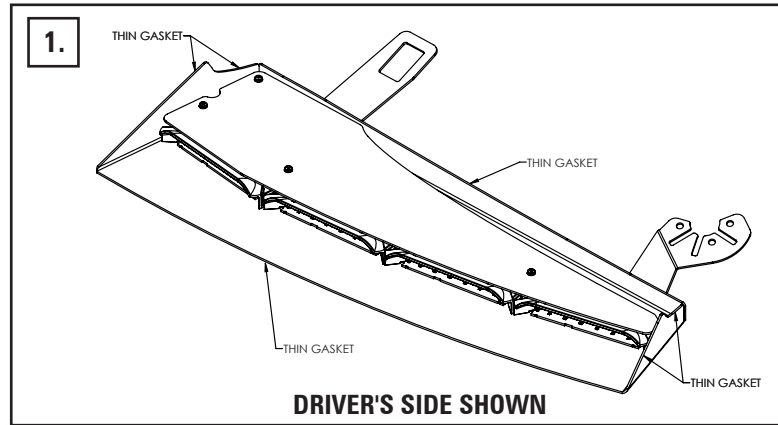
**⚠ WARNING**

This product contains high intensity LED devices. To prevent eye damage, DO NOT stare into the light beam at close range.

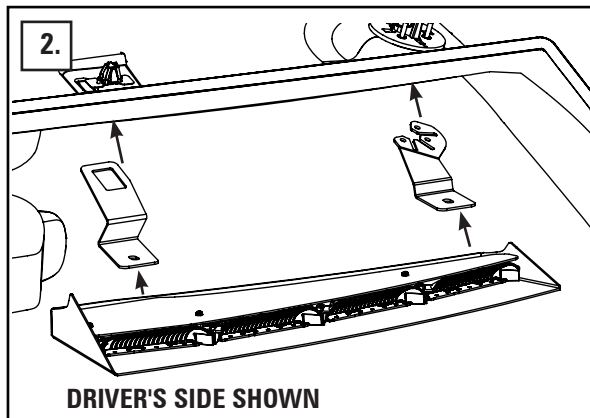




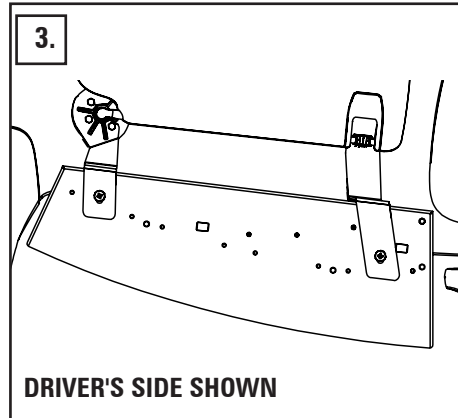
**nFORCE LED INTERIOR LIGHTBAR**  
2021-2022 DODGE DURANGO, SPLIT



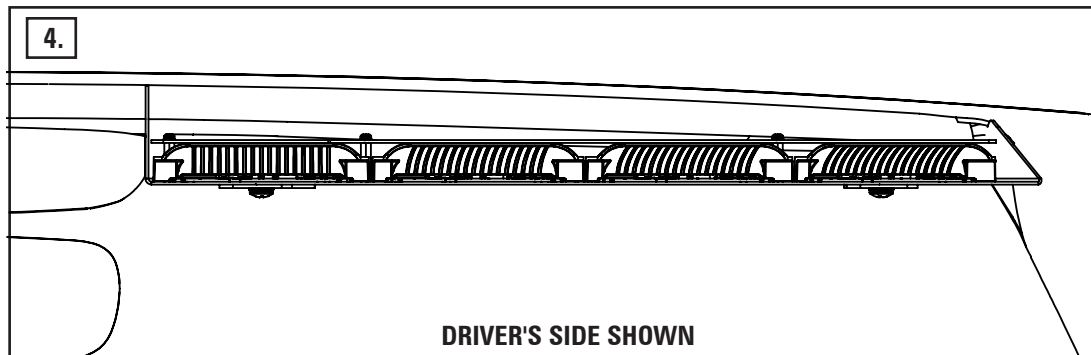
**DRIVER'S SIDE SHOWN**



**DRIVER'S SIDE SHOWN**



**DRIVER'S SIDE SHOWN**



**DRIVER'S SIDE SHOWN**

**INSTALLATION:**

1. Apply the thin gasket provided to the specified edges called out in Figure 1.
2. Take the plastic cover off of the outside interior visor mount on the driver side. After removing the cover, remove the three screws.
3. Line up the three holes of the correct bracket with the holes that the three screws were just removed from. Loosely reinstall the screws into the three holes. Figure 2 will help determine which bracket to use in this step.
4. To install the inside bracket, remove the screw from the inside of the visor clip. This will remove the visor clip. Place the bracket underneath the visor clip, reinstall the visor clip, and loosely reinstall the screw. Figure 2 will help determine which bracket to use in this step.
5. Gently slide the shroud into place and loosely install the screws that attach the brackets to the shroud. Tuck the harness into the headliner so that it does not negatively impact the fitment of the shroud.
6. Carefully adjust the position of the shroud relative to the headliner and windshield to eliminate any gaps between the shroud and vehicle.
7. While firmly holding the shroud in place, tighten the outer visor mount screws and the inner visor mount screw.
8. While continuing to hold the shroud in place, tighten the screws that attach the brackets to the shroud. The interior lightbar assembly should now look like the assembly shown in Figure 3.
9. Adjust the gasket material to ensure there are no gaps between the shroud and the windshield.
10. A view of the installed lightbar assembly from the outside of the vehicle is shown in Figure 4.
11. Repeat Steps 1-9 for the other side of the lightbar.

**OPERATION:**

SEE 'ELECTRICAL INSTALLATION' SECTION OF THE nFORCE LED INTERIOR LIGHTBAR INSTALLATION PACKET.

**NOTICE:**

Installers and users must comply with all applicable federal, state and local laws regarding use and installation of warning devices.

*Improper use or installation may void warranty coverage.*

To review our Limited Warranty Statement & Return Policy for this or any SoundOff Signal product, visit our website at [www.soundoffsignal.com/tech-services/returns/](http://www.soundoffsignal.com/tech-services/returns/).

If you have questions regarding this product, contact **Technical Services**, Monday - Friday, 8 a.m. to 5 p.m. ET at 1.800.338.7337 (press #4).

Questions or comments that do not require immediate attention may be emailed to [techservices@soundoffsignal.com](mailto:techservices@soundoffsignal.com).

