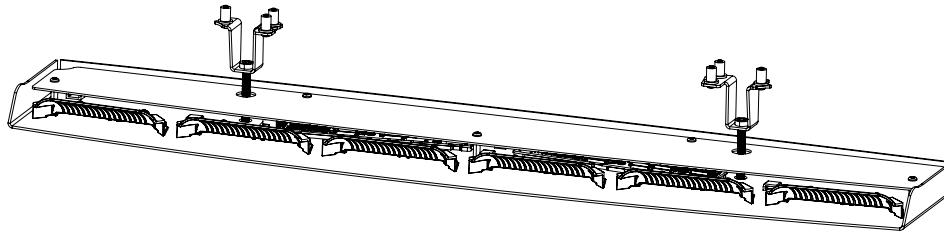




Interior Rear Lightbar
Ford Expedition (2018-2022)



INTRODUCTION:

CONTENTS	
QTY	COMPONENT
1	SHROUD
1	BRACKET, PASSENGER SIDE
1	BRACKET, DRIVER SIDE
2	1/4"-20 x 2" SCREW
6	6-32 5/8" SCREW
6	NEOPRENE RIVET NUT 6-32
1	THICK TRIM
3	DRILL TEMPLATES
1	PRODUCT WARNING CARD
1	INSTALLATION SHEET

⚠ WARNING

- HIGH CURRENT interconnects must be properly terminated. Poor crimp quality can cause heat build-up and fire. Follow crimp connector manufacturer instructions.
- DO NOT install this product or route any wires in the Air Bag Deployment Zone. Refer to vehicle Owner's Manual for deployment zones.
- Do NOT use system to disconnect headlights, brake lights or other safety equipment.
- Unit may become hot to touch during normal operation.
- Failure to properly install connectors, fuses or wiring may cause vehicle failure or fire.
- Installation must only be performed by trained technician. Installer must determine vehicle wiring configuration and proper integration of system.
- Use proper wire gauge. All power wires connecting to positive (+) or negative (-) battery terminal or local chassis ground (-) must be sized to supply at least 125% of max. current and properly fused at power source.
- Install protective grommets when routing wire through firewall or metal.

⚠ WARNING

This product contains high intensity LED devices. To prevent eye damage, DO NOT stare into the light beam at close range.

NOTICE:

Installers and users must comply with all applicable federal, state and local laws regarding use and installation of warning devices.

Improper use or installation may void warranty coverage.

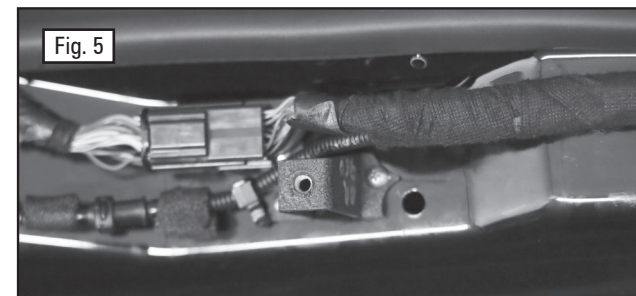
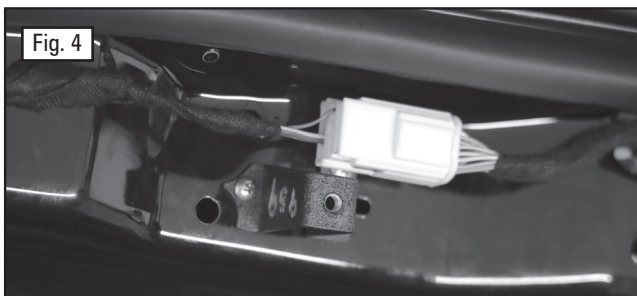
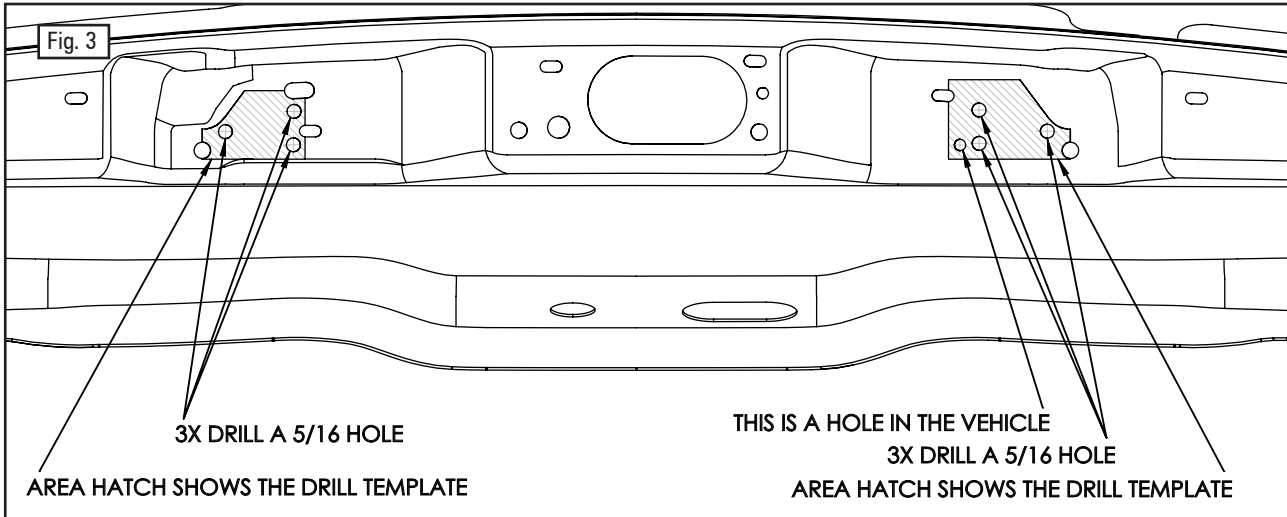
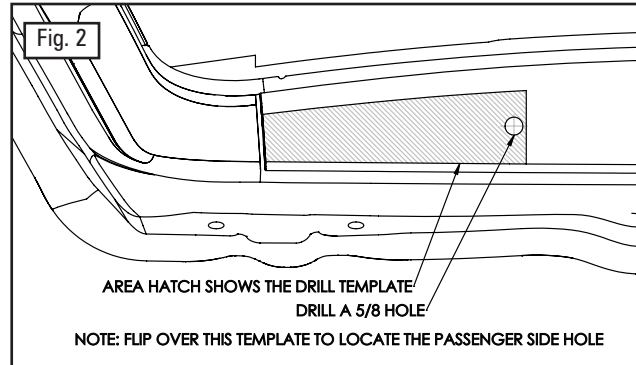
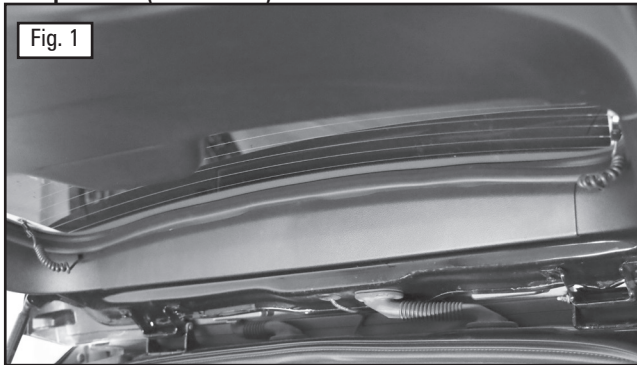
To review our Limited Warranty Statement & Return Policy for this or any SoundOff Signal product, visit our website at www.soundoffsignal.com/tech-services/returns/. If you have questions regarding this product, contact **Technical Services**, Monday - Friday, 8 a.m. to 5 p.m. or after hours 5 p.m. to 8 p.m. ET at **1.800.338.7337** (press #4). Questions or comments that do not require immediate attention may be emailed to techservices@soundoffsignal.com.



1.800.338.7337 / www.soundoffsignal.com

SUPERIOR CUSTOMER RELATIONSHIPS. SMARTLY DESIGNED LIGHTING & ELECTRONIC SOLUTIONS.

Interior Rear Lightbar Ford Expedition (2018-2022)



INSTALLATION:

1. Locate the upper cover trim panel on the tailgate, as seen in Fig 1. Take out the 6 retainer clips from the upper cover trim panel. Remove the upper cover trim panel, using a plastic pry tool to assist in the upper cover trim panel removal, as needed.

PRO TIP: Before removing trim panel, close tailgate and open rear window.

2. Follow the instructions on the driver side "Drill Template for Plastic Trim" to align the template with the outer edge of the removed upper cover trim panel as seen in Fig 2. Drill a 5/8" hole at the position. Repeat this process on the passenger side.
3. On the driver's side, release the retaining clip for the white connector. It is recommended that the white connector is disconnected for ease of installation.
4. Install the driver's side drill template for the mounting bracket. Line up the holes in the driver's side drill template with the holes in the tailgate frame, as seen in Fig 3 (Driver's side template is on the left, passenger side is on the right.)

PRO TIP: Use masking tape to line everything up.

5. Use a center punch to mark the three holes. Drill the holes using a 5/16" drill bit. Attach the driver side bracket using the included 6-32 5/8" screws and neoprene rivet nuts. Apply a torque of 6 in-lbs to each of the three screws, as seen in Fig 4.
6. For the passenger side, remove the black electrical connector as well as the washer pump water line.
7. Install the passenger side drill template for the mounting bracket as according to Step 4 and Step 5, above. When completed, it should appear as it does in Fig 5.
8. Re-install the upper trim panel.

PRO TIP: Drill a hole, or create a notch in the trim panel, to pass the lightbar wiring through.

NOTICE:

Installers and users must comply with all applicable federal, state and local laws regarding use and installation of warning devices.

Improper use or installation may void warranty coverage.

To review our Limited Warranty Statement & Return Policy for this or any SoundOff Signal product, visit our website at www.soundoffsignal.com/tech-services/returns/. If you have questions regarding this product, contact **Technical Services**, Monday - Friday, 8 a.m. to 5 p.m. or after hours 5 p.m. to 8 p.m. ET at 1.800.338.7337 (press #4). Questions or comments that do not require immediate attention may be emailed to techservices@soundoffsignal.com.

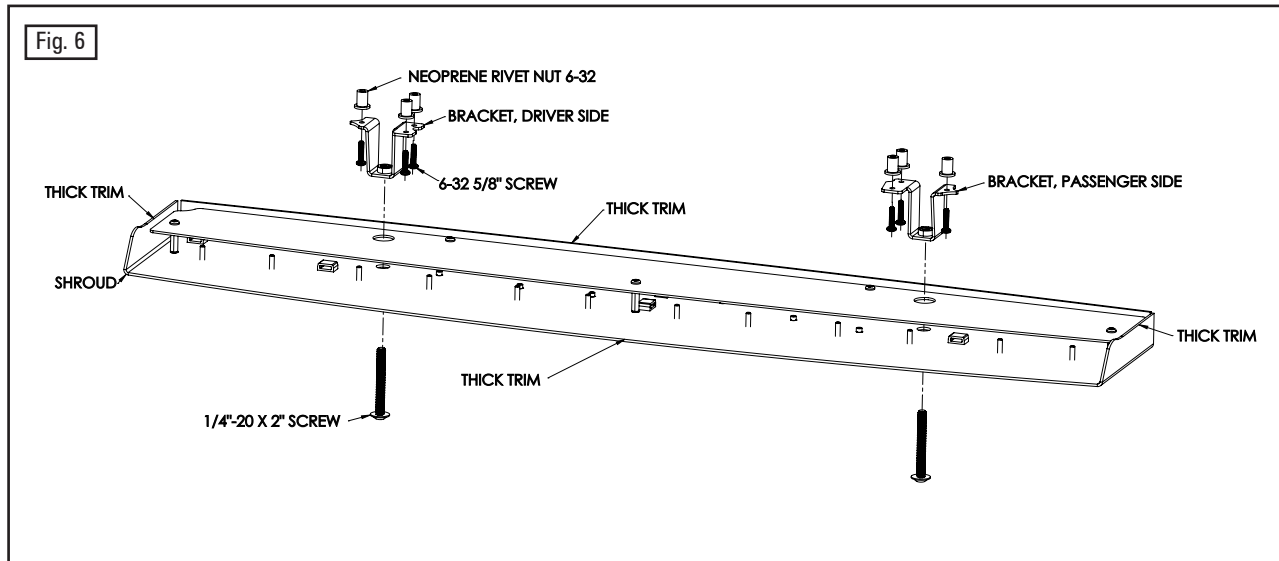
SoundOff Signal

1.800.338.7337 / www.soundoffsignal.com

SUPERIOR CUSTOMER RELATIONSHIPS. SMARTLY DESIGNED LIGHTING & ELECTRONIC SOLUTIONS.

nFORCE Interior Lightbar 2018-2022 Ford Expedition REAR 1221

Interior Rear Lightbar Ford Expedition (2018-2022)



INSTALLATION (CONT.):

9. Install the included gasket material onto the lightbar as seen in FIG 6.
10. Install the lightbar, using the included 1/4"-20 bolts. Tighten until the lightbar is snug to the paneling and to the glass, as seen in Fig 7. Do not over-tighten!

NOTICE:

Installers and users must comply with all applicable federal, state and local laws regarding use and installation of warning devices.

Improper use or installation may void warranty coverage.

To review our Limited Warranty Statement & Return Policy for this or any SoundOff Signal product, visit our website at www.soundoffsignal.com/tech-services/returns/.
If you have questions regarding this product, contact **Technical Services**, Monday - Friday, 8 a.m. to 5 p.m. or after hours 5 p.m. to 8 p.m. ET at 1.800.338.7337 (press #4).
Questions or comments that do not require immediate attention may be emailed to techservices@soundoffsignal.com.

**SoundOff
Signal**

1.800.338.7337 / www.soundoffsignal.com

SUPERIOR CUSTOMER RELATIONSHIPS. SMARTLY DESIGNED LIGHTING & ELECTRONIC SOLUTIONS.

nFORCE Interior Lightbar 2018-2022 Ford Expedition REAR 1221