

MPOWER SERIES MULTI-LIGHT BEZELS

PMP8BZL12X – 2 MODULE, 7X3 MPOWER BEZEL

PMP7BZL12X – 2 MODULE, 6X4 MPOWER BEZEL

PMP8BZL13X – 3 MODULE, 7X3 MPOWER BEZEL

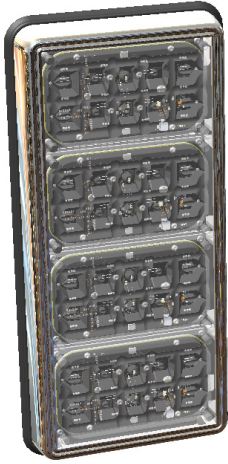
PMP7BZL13X – 3 MODULE, 6X4 MPOWER BEZEL

PMP8BZL14X – 4 MODULE, 7X3 MPOWER BEZEL

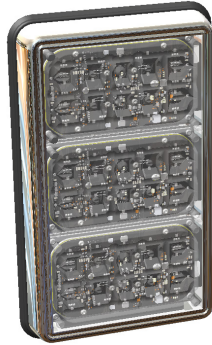
PMP7BZL14X – 4 MODULE, 6X4 MPOWER BEZEL

X = C (Chrome)

X = B (Black)



PMP7BZL14C



PMP7BZL13C



PMP7BZL12C



PMP8BZL12C



PMP8BZL13C



PMP8BZL14C



mpower® product page

⚠ WARNING ⚠

- HIGH CURRENT interconnects must be properly terminated. Poor crimp quality can cause heat build-up and fire. Follow crimp connector manufacturer instructions.
- DO NOT install this product or route any wires in the Air Bag Deployment Zone. Refer to vehicle Owner's Manual for deployment zones.
- Do NOT use system to disconnect headlights, brake lights or other safety equipment.
- Unit may become hot to touch during normal operation.
- Failure to properly install connectors, fuses or wiring may cause vehicle failure or fire.
- Installation must only be performed by trained technician. Installer must determine vehicle wiring configuration and proper integration of system.
- Use proper wire gauge. All power wires connecting to positive (+) or negative (-) battery terminal or local chassis ground (-) must be sized to supply at least 125% of max. current and properly fused at power source.
- Install protective grommets when routing wire through firewall or metal.

INTRODUCTION.	2
COMPONENTS	2
INSTALLATION INSTRUCTIONS	2
PMP7BZL12X - 6X4 2 MODULE	3 - 4
PMP7BZL13X - 6X4 3 MODULE	5 - 6
PMP7BZL14X - 6X4 4 MODULE	7 - 8
PMP8BZL12X - 7X3 2 MODULE	9 - 10
PMP8BZL13X - 7X3 3 MODULE	11 - 12
PMP8BZL14X - 7X3 4 MODULE	13 - 14



1.800.338.7337 / www.soundoffsignal.com

NOTICE:

Installers and users must comply with all applicable federal, state and local laws regarding use and installation of warning devices. *Improper use or installation may void warranty coverage.* To review our Limited Warranty Statement & Return Policy for this or any SoundOff Signal product, visit our website at www.soundoffsignal.com/tech-services/returns/. If you have questions regarding this product, contact **Technical Services**, Monday - Friday, 8 a.m. to 5 p.m. ET at **1.800.338.7337** (press #4). Questions or comments that do not require immediate attention may be emailed to techservices@soundoffsignal.com.

INTRODUCTION:

- Allows for the seamless combination of multiple 6X4 or 7X3 mpower series firelights.
- Easily mount to any flat panel.
- Tough metal construction with fitted silicone gasket.
- Two different mount options provided for a variety of applications.

CONTAINS		
ITEM #	COMPONENT	QTY.
1	BEZEL	1
2	GASKET	1
3	LIGHT MOUNTING HARDWARE	1
4	BEZEL MOUNTING HARWARE	1
5	INSTALLATION INSTRUCTION SHEET	1
6	PRODUCT WARNING CARD	1
7	CA PROP 65 LABEL	1

⚠ WARNING

ROUTE WIRES ONLY IN LOCATIONS THAT ARE NOT SUBJECTED TO POTENTIAL WEAR. MAKE SURE TO AVOID ROUTING WIRES IN THE DEPLOYMENT AREA OF YOUR AIR BAG. REFER TO YOUR VEHICLE'S OWNER'S MANUAL FOR AIRBAG DEPLOYMENT ZONES.

INSTALLATION:

1. Identify desired location on vehicle for mounting of bezel. Although this bezel can be installed without access to the inside panel of the vehicle, ensure that there is sufficient space for wire routing.
2. Identify the mounting method that will be used. Well nuts are provided for installations in which the interior of the mounting panel is inaccessible.

NOTE: The included well nuts are only intended for panels with a minimum thickness of 0.015" (0.4mm) and a maximum thickness of 0.125" (3.2mm). For all other applications, use the provided lock nuts.

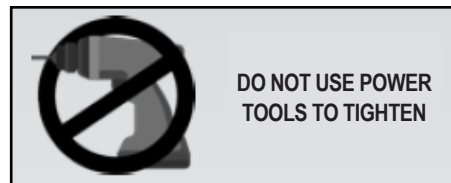
3. Using the provided gasket as a template, mark the mounting locations. Ensure the assembly is level and that the area on the interior of the panel is clear of wires and other obstructions before drilling.

PRO TIP: Before drilling, place non-marking tape over each drill location to protect the vehicle finish.

4. For installations with lock nuts, drill 5/16" (8.00mm) clearance holes for the provided M6 hardware. For installations with well nuts, drill 0.5" (12.7mm) holes. Wire pass-thru holes should be 1.00" (25.4mm). Refer to the provided drill templates for hole spacing. Ensure edges of drilled holes are cleaned and deburred.
5. Mount the bezel and gasket to the vehicle using the provided hardware. Ensure the gasket is oriented such that the drain holes are at the bottom when installed. Make sure the bezel is fully seated on the gasket and the lip of the gasket is even all the way around.

PRO TIP: If necessary, run a small, non-marking pry tool along the base of the bezel to easily stretch the lip of the gasket around the edges of the bezel.

6. For installations with lock nuts, torque to 35 in-lbs (3.95 N•m). For installations with well nuts, apply pressure against each fastener while tightening and torque to 10 in-lbs (1.13 N•m).



7. Attach the wire harnesses to each mpower light, feed the wire harnesses into the wire pass-thru holes in the vehicle panel, and insert the lights into the bezel assembly.
8. Install the mpower lights into the bezel using the provided light mounting hardware. Tighten screws until fully seated. Do not overtighten.
9. Trim as needed* and insert the silicone plugs into the mpower lights to seal screw holes. (Use a 50% Isopropyl alcohol, 50% deionized water mix for lubrication if necessary).

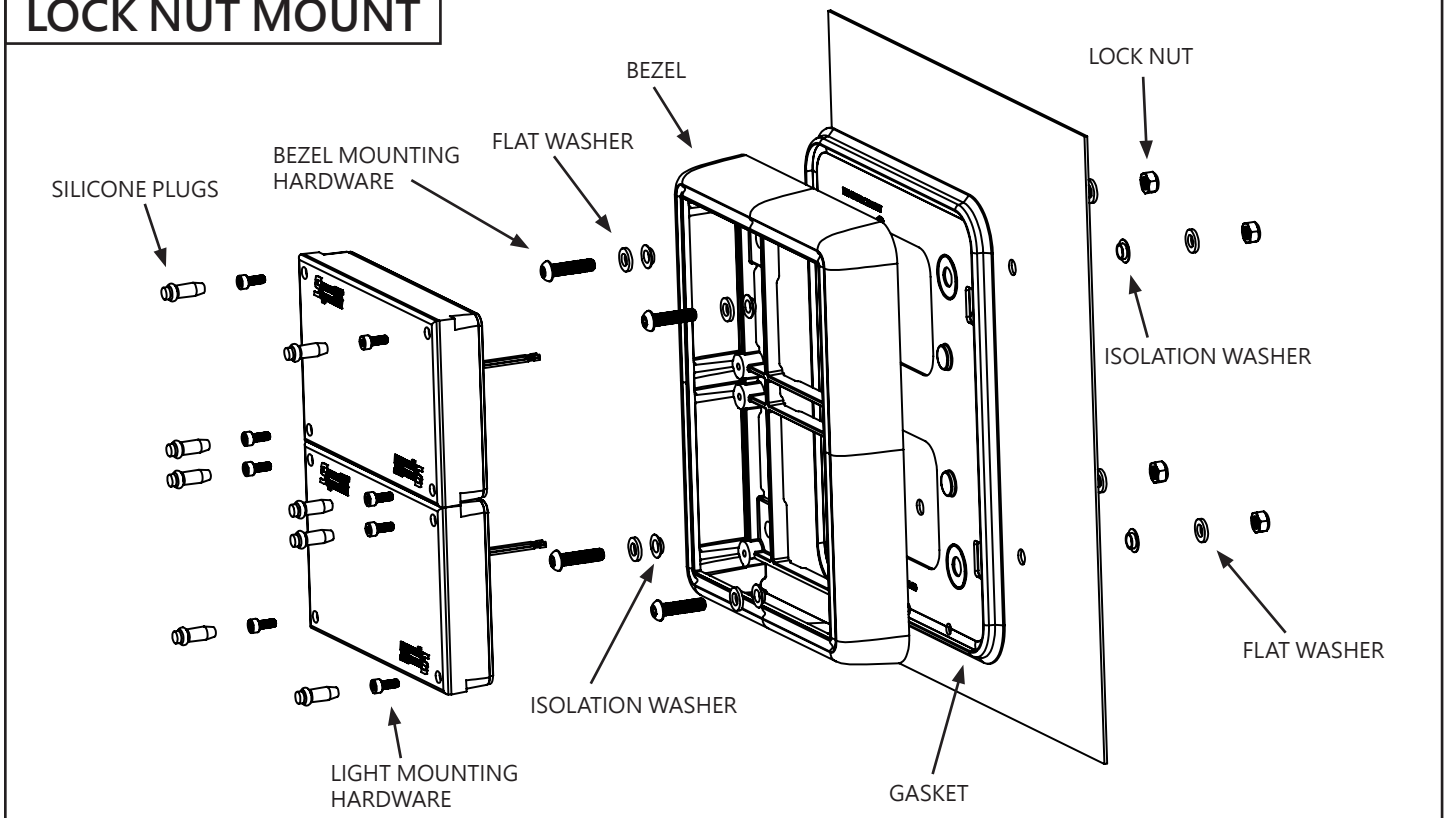
CAUTION: Petroleum/Silicone based lubricants will cause the silicone lens to discolor.

***NOTE: If the lights came with longer silicone plugs (7/8" or 22mm), trim at least 1/8" (3.0mm) off the tapered end.**

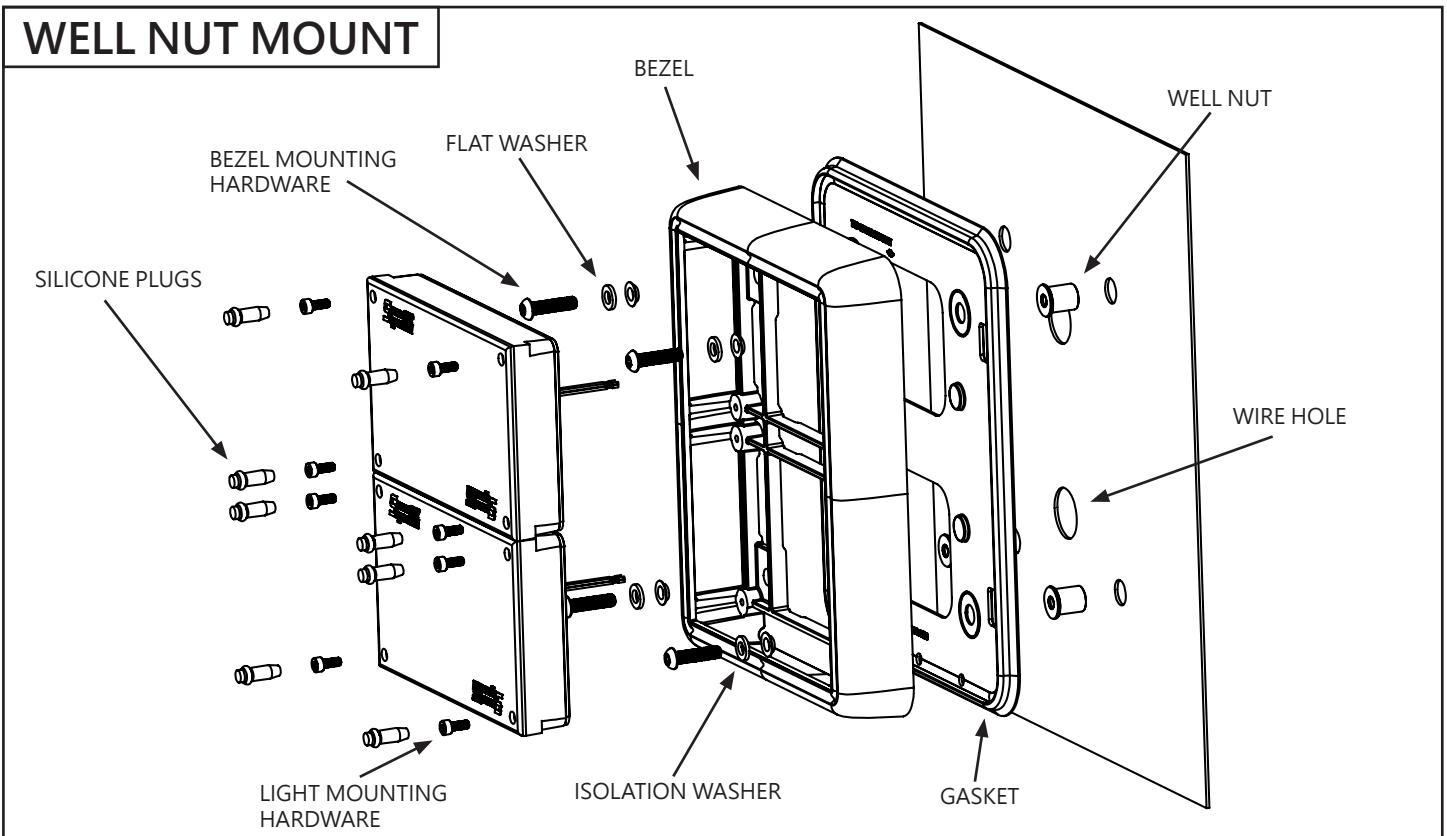
10. Ensure bezel assembly is fully seated and test function of the mpower lights.

PMP7BZL12X 6X4 2 MODULE

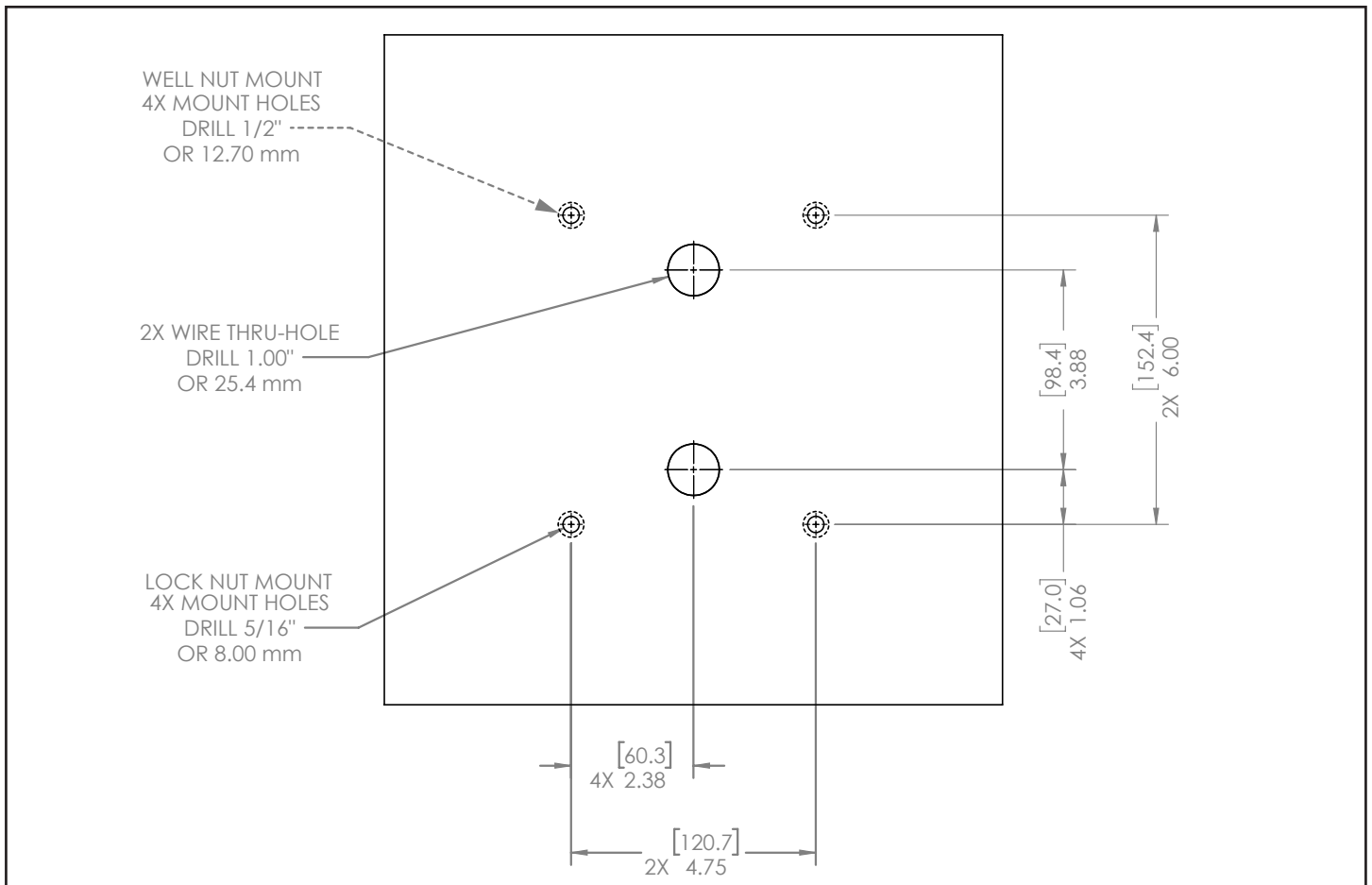
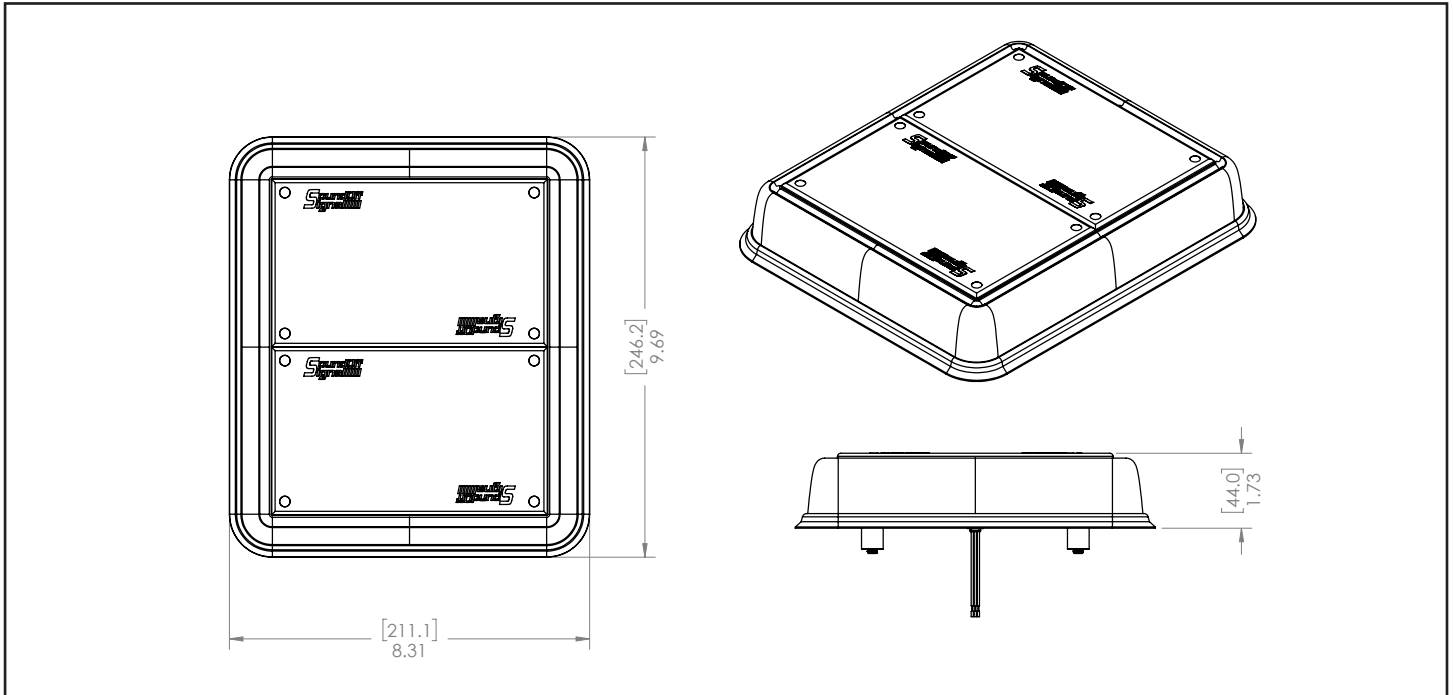
LOCK NUT MOUNT



WELL NUT MOUNT



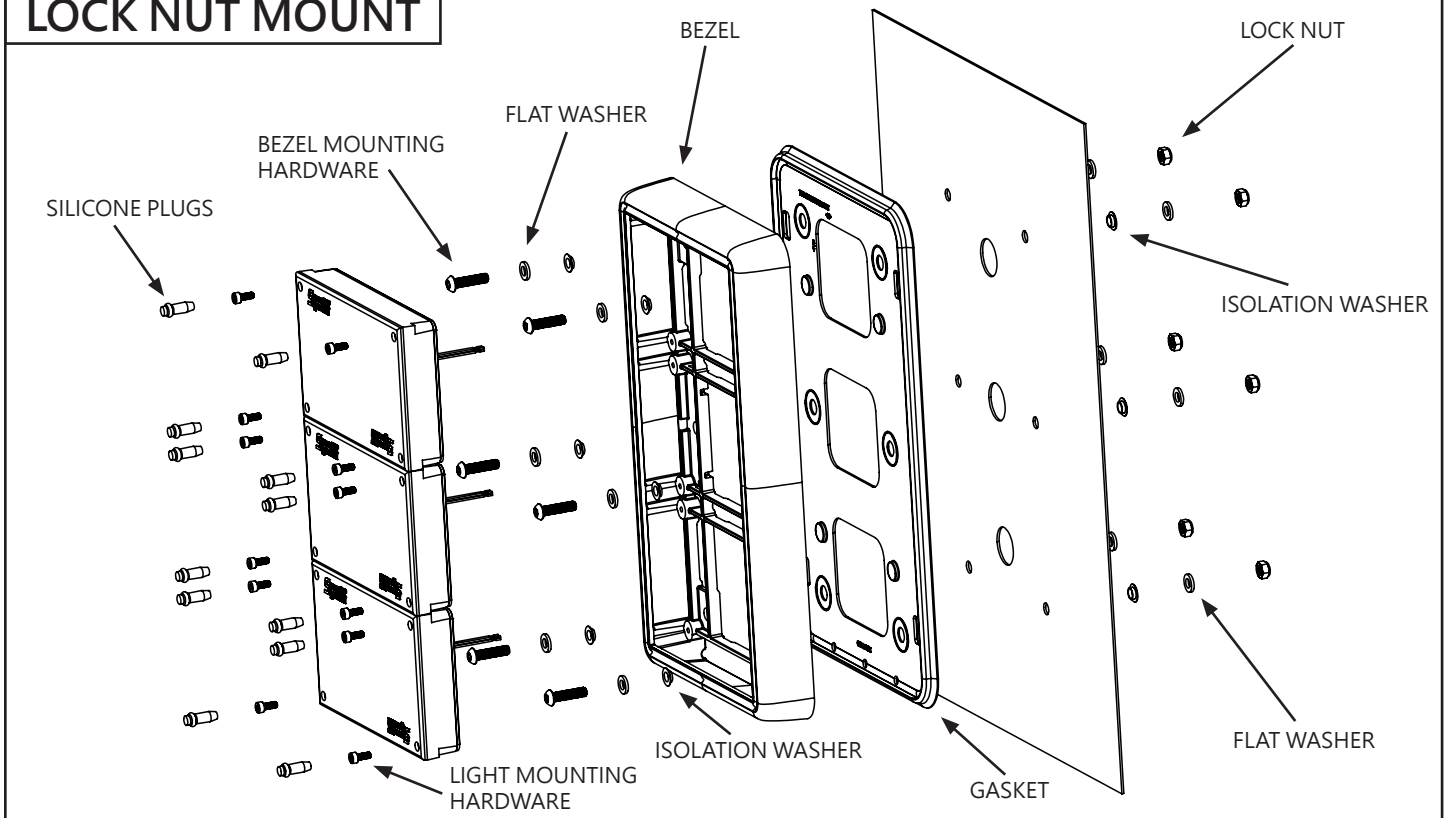
PMP7BZL12X 6X4 2 MODULE



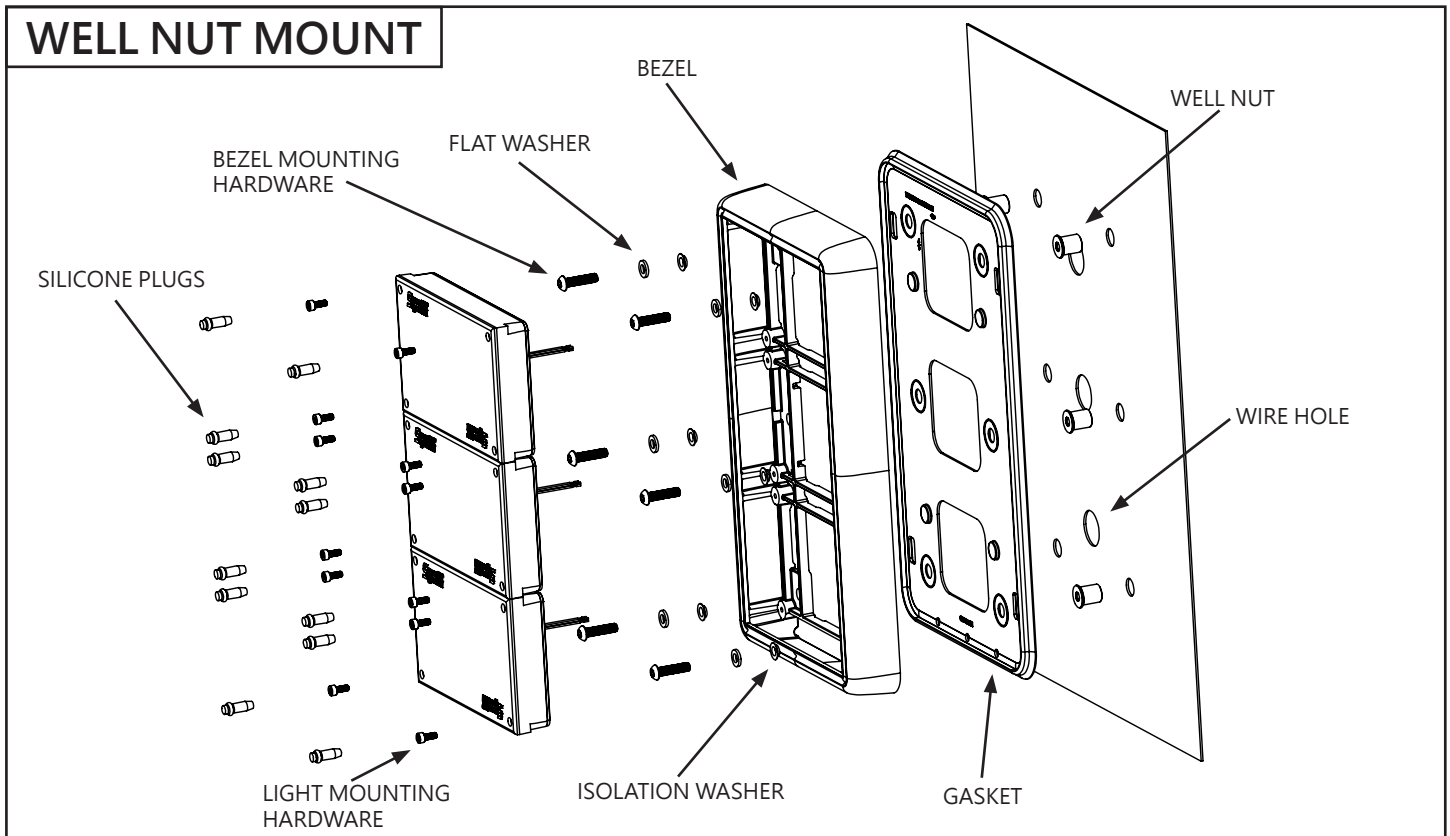
PMP7BZL12X MOUNT TEMPLATE
NOT TO SCALE, FOR REFERENCE ONLY

PMP7BZL13X 6X4 3 MODULE

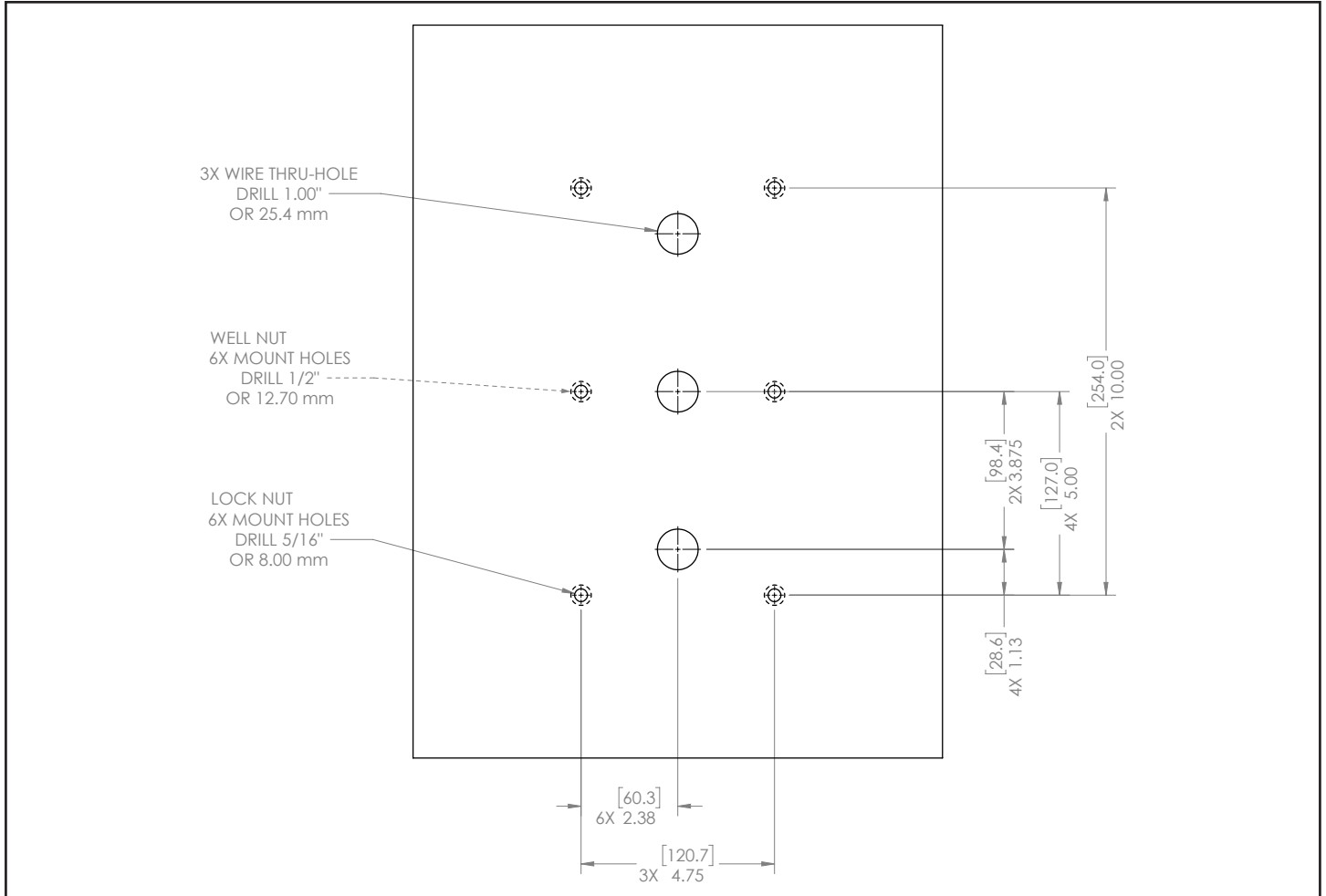
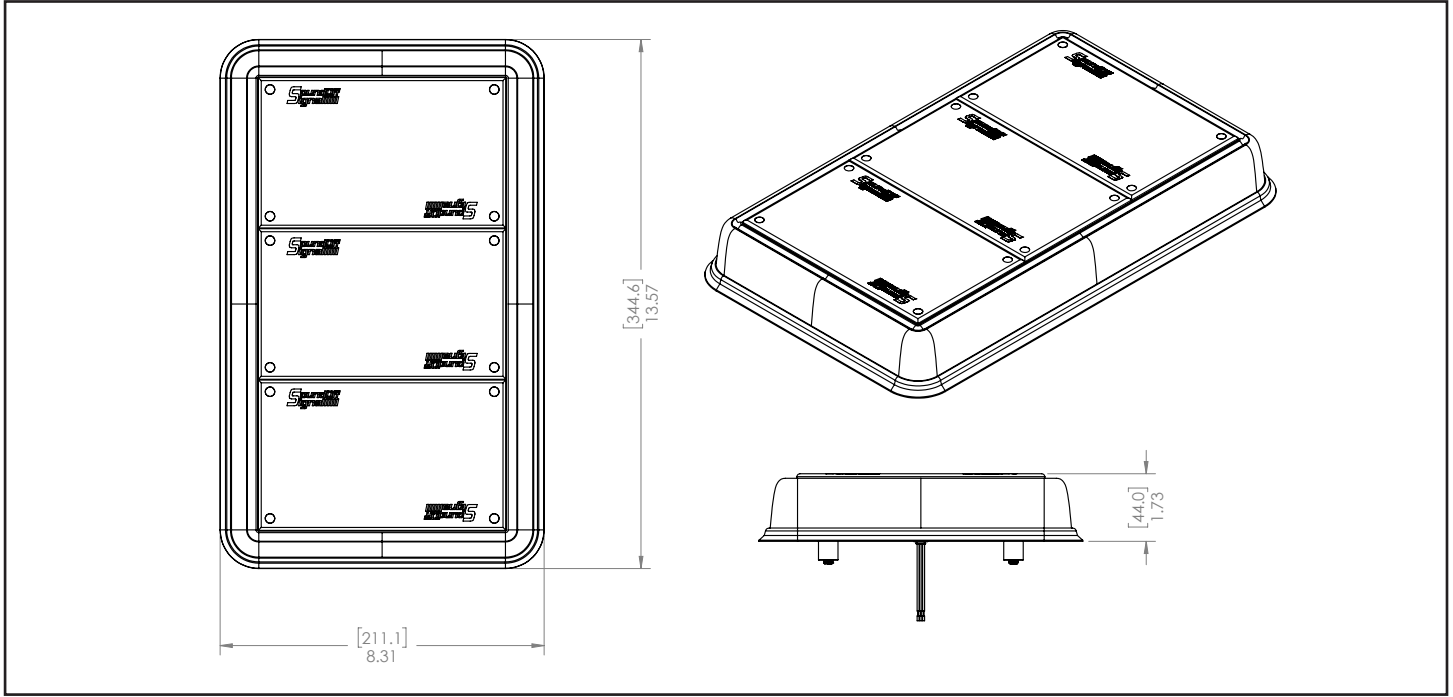
LOCK NUT MOUNT



WELL NUT MOUNT



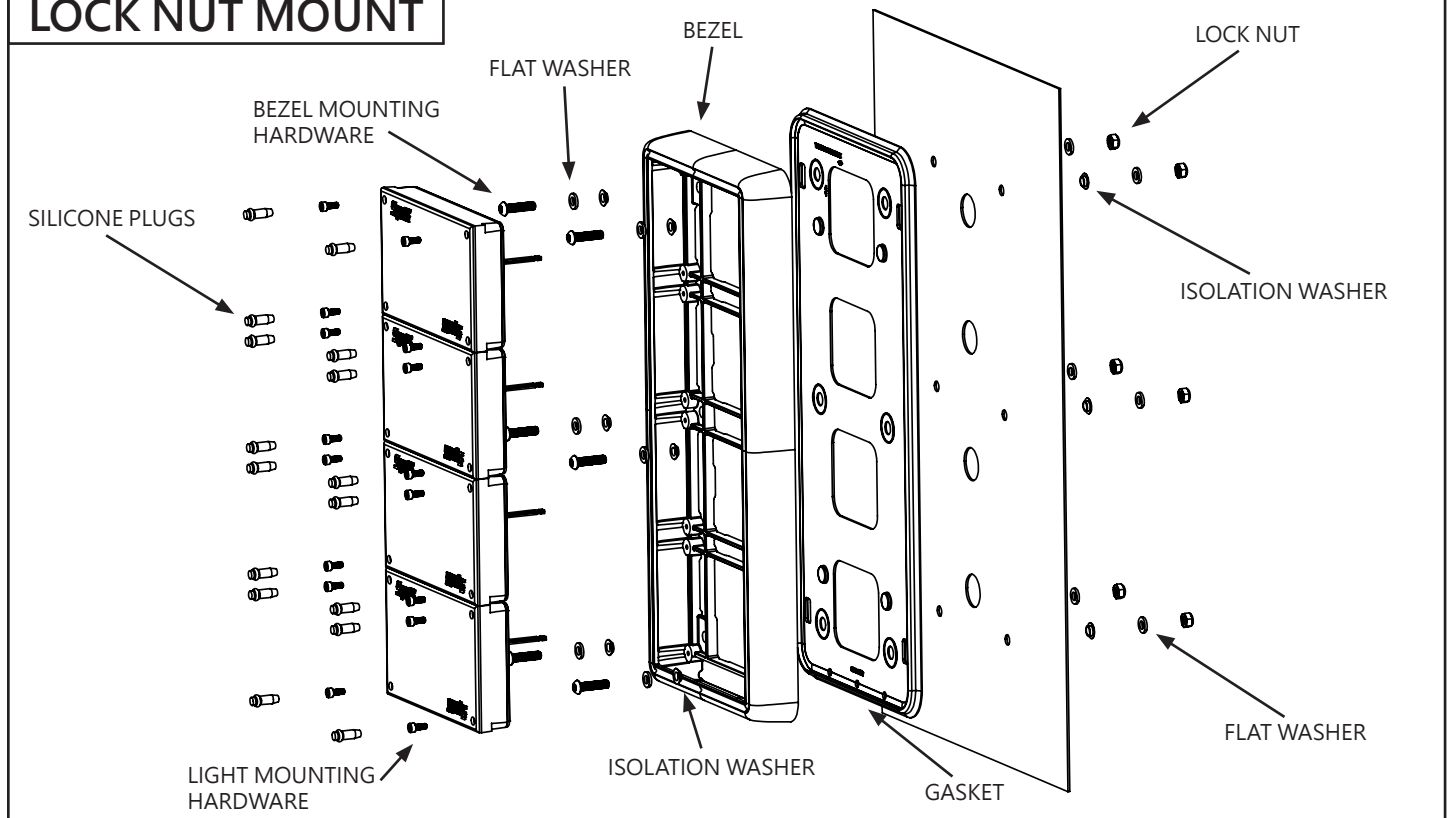
PMP7BZL13X 6X4 3 MODULE



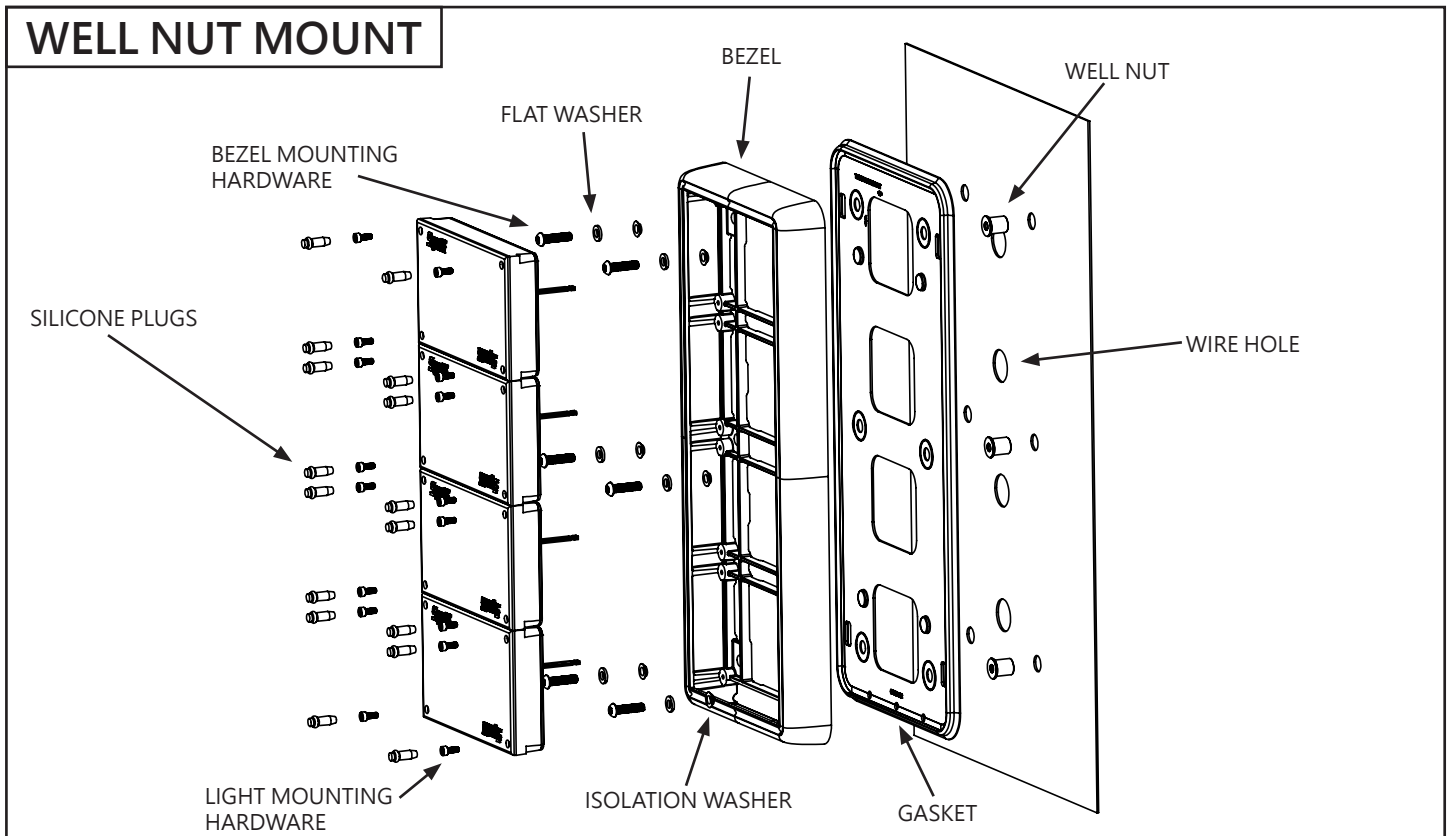
PMP7BZL13X MOUNT TEMPLATE
NOT TO SCALE, FOR REFERENCE ONLY

PMP7BZL14X 6X4 4 MODULE

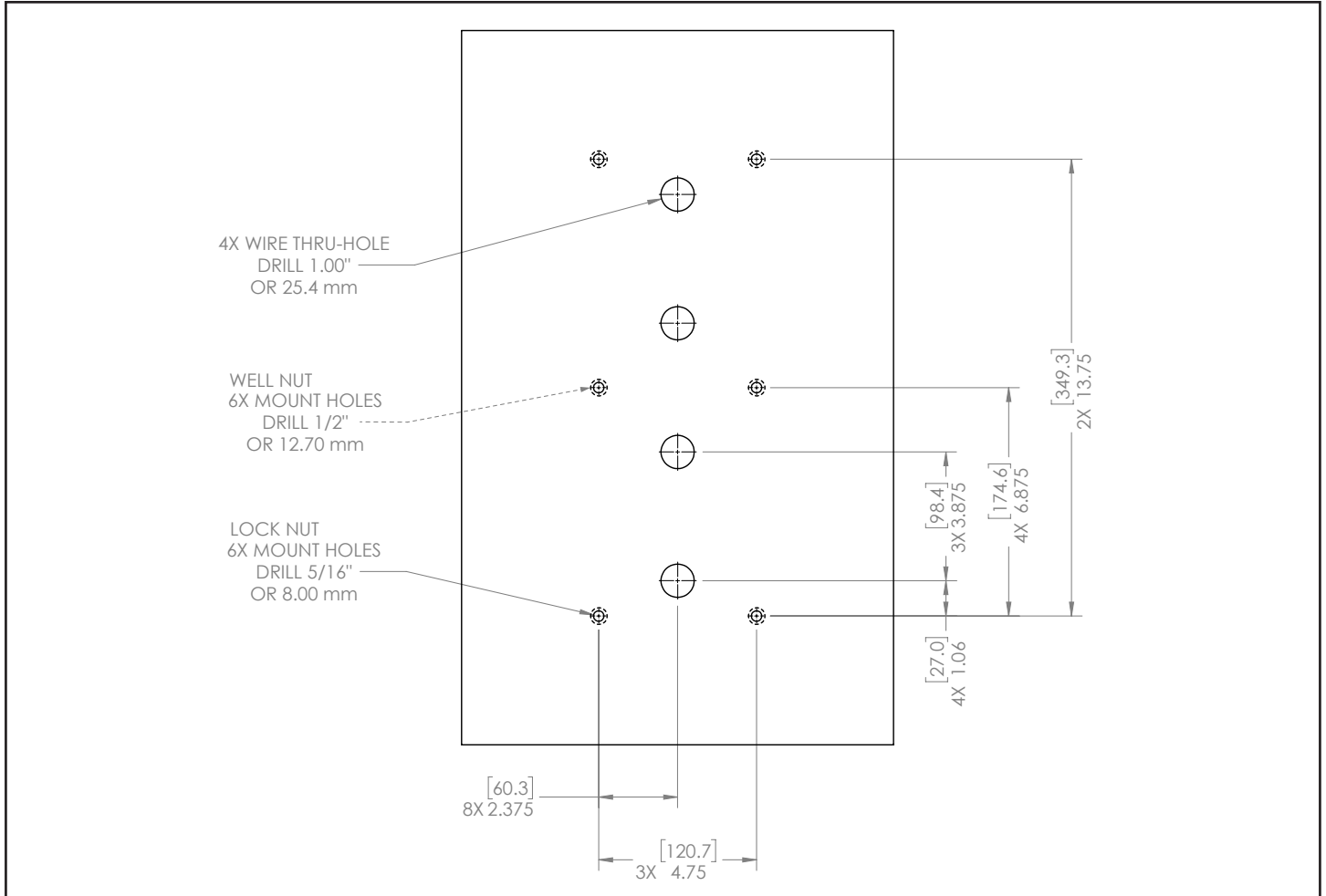
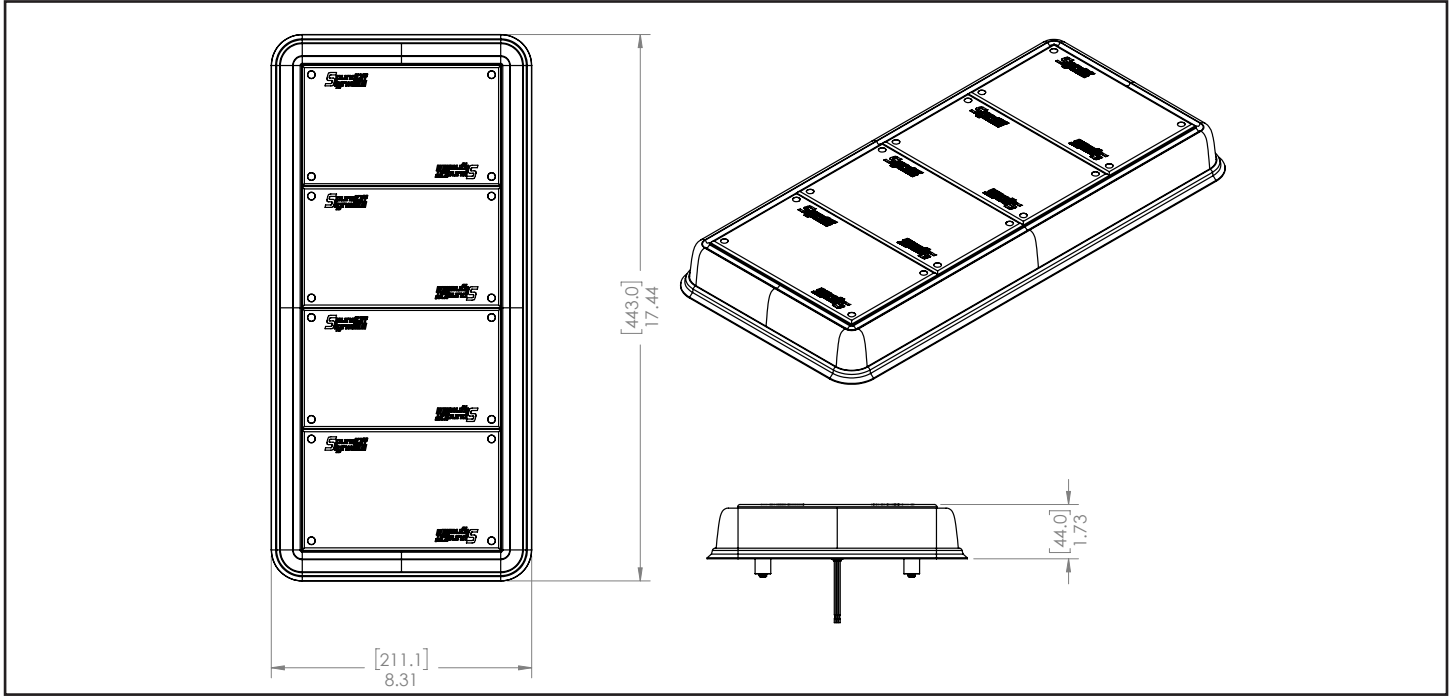
LOCK NUT MOUNT



WELL NUT MOUNT



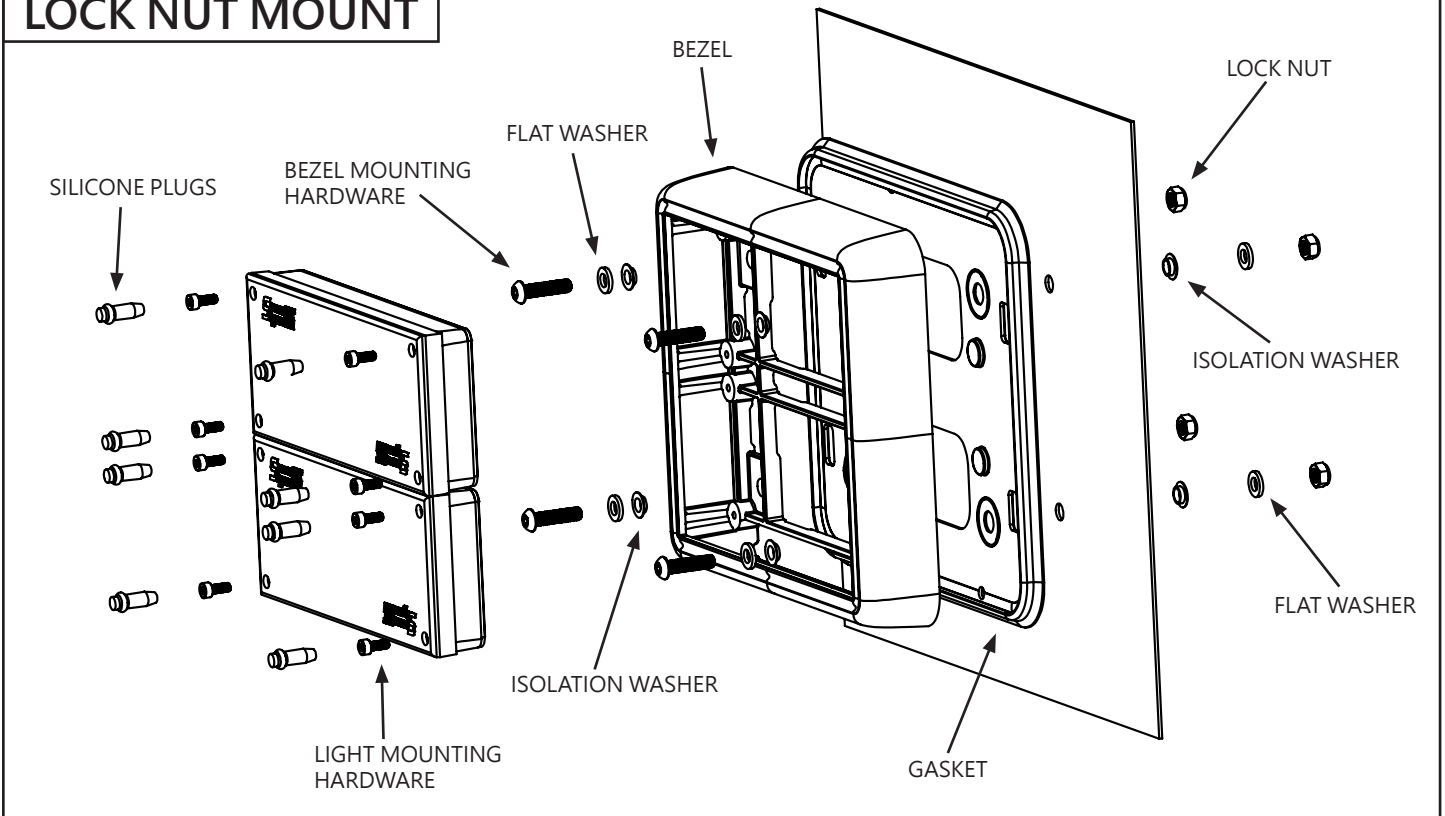
PMP7BZL14X 6X4 MODULE



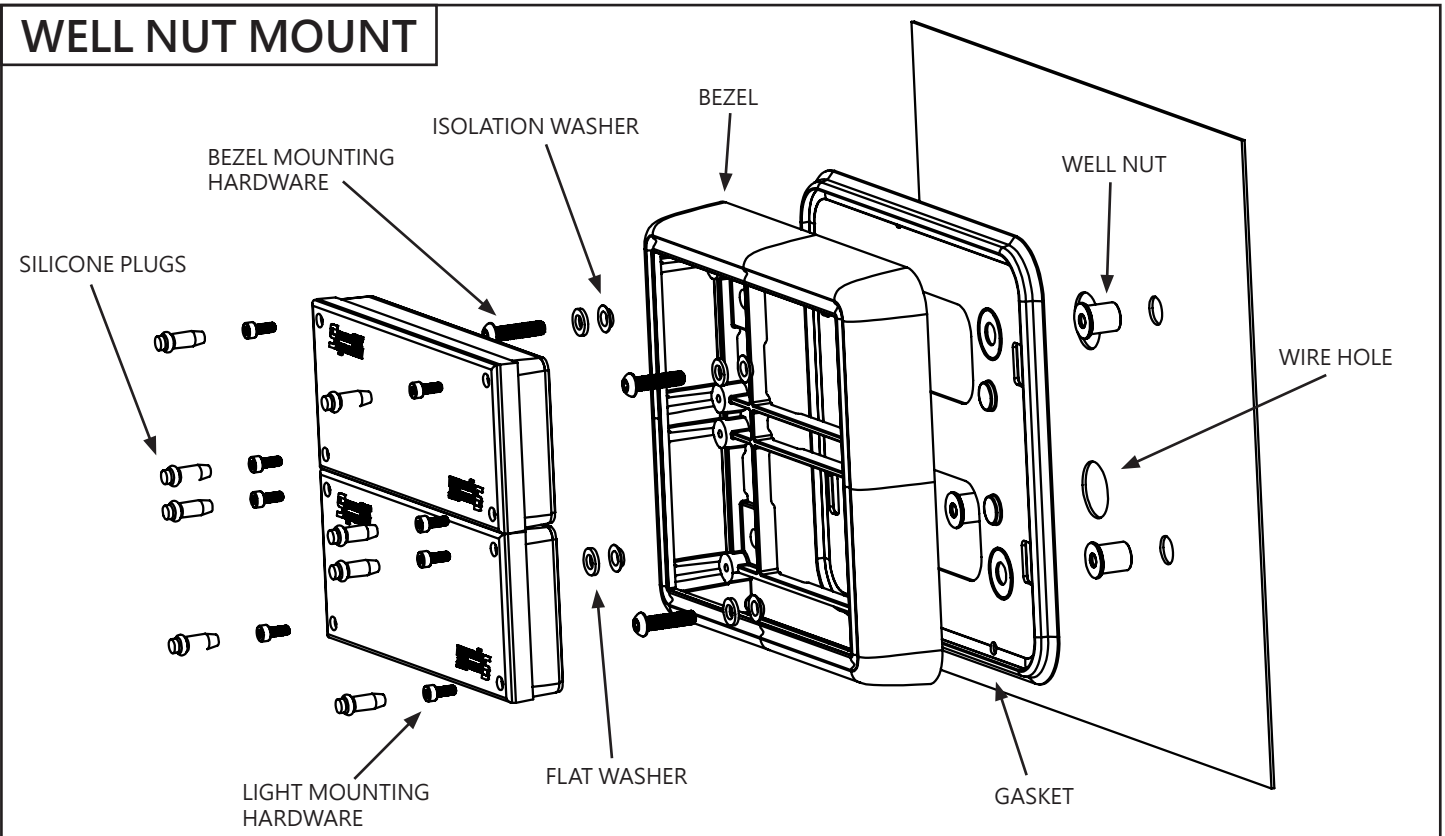
PMP7BZL14X MOUNT TEMPLATE
NOT TO SCALE, FOR REFERENCE ONLY

PMP8BZL12X
7X3 2 MODULE

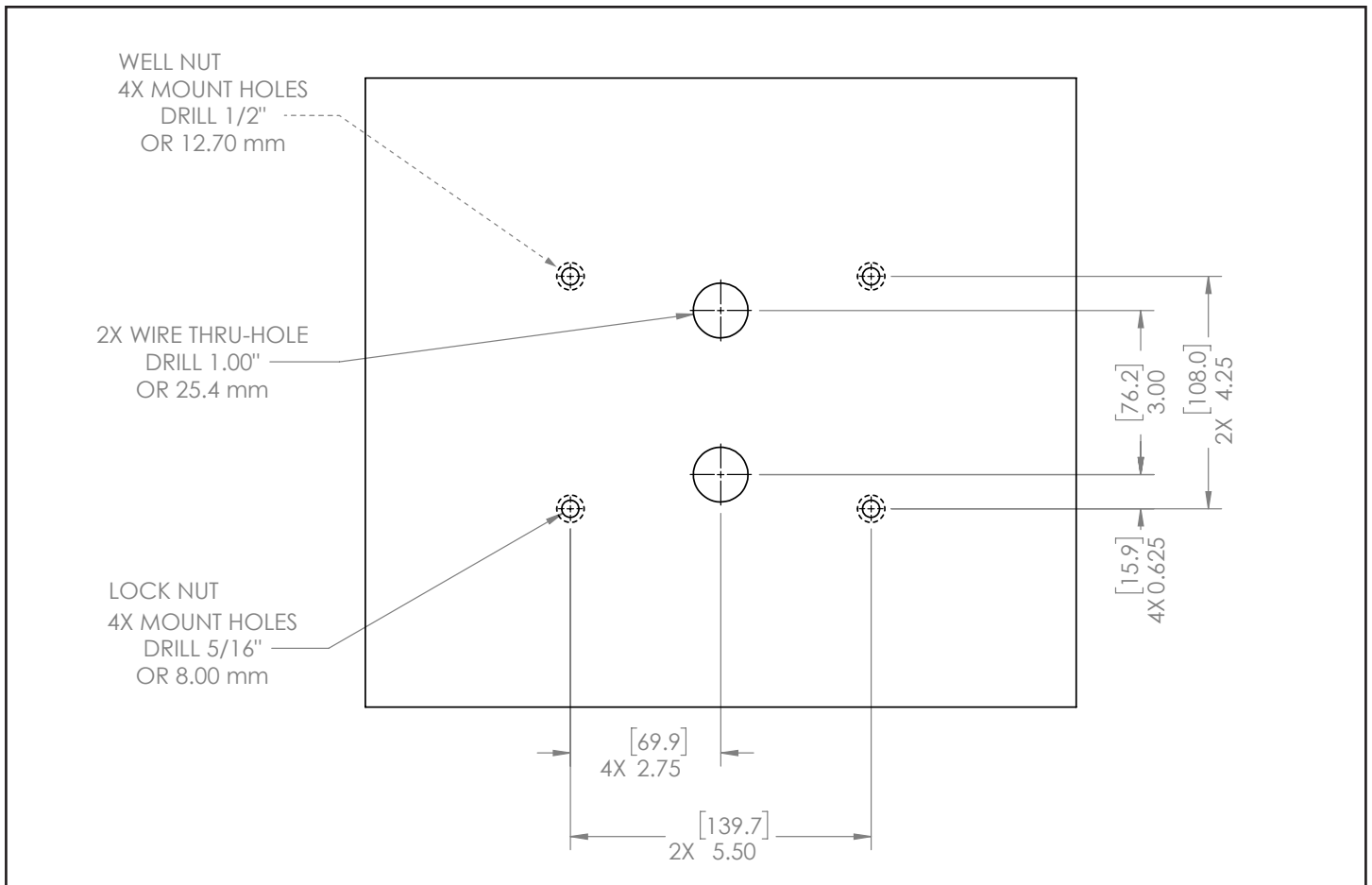
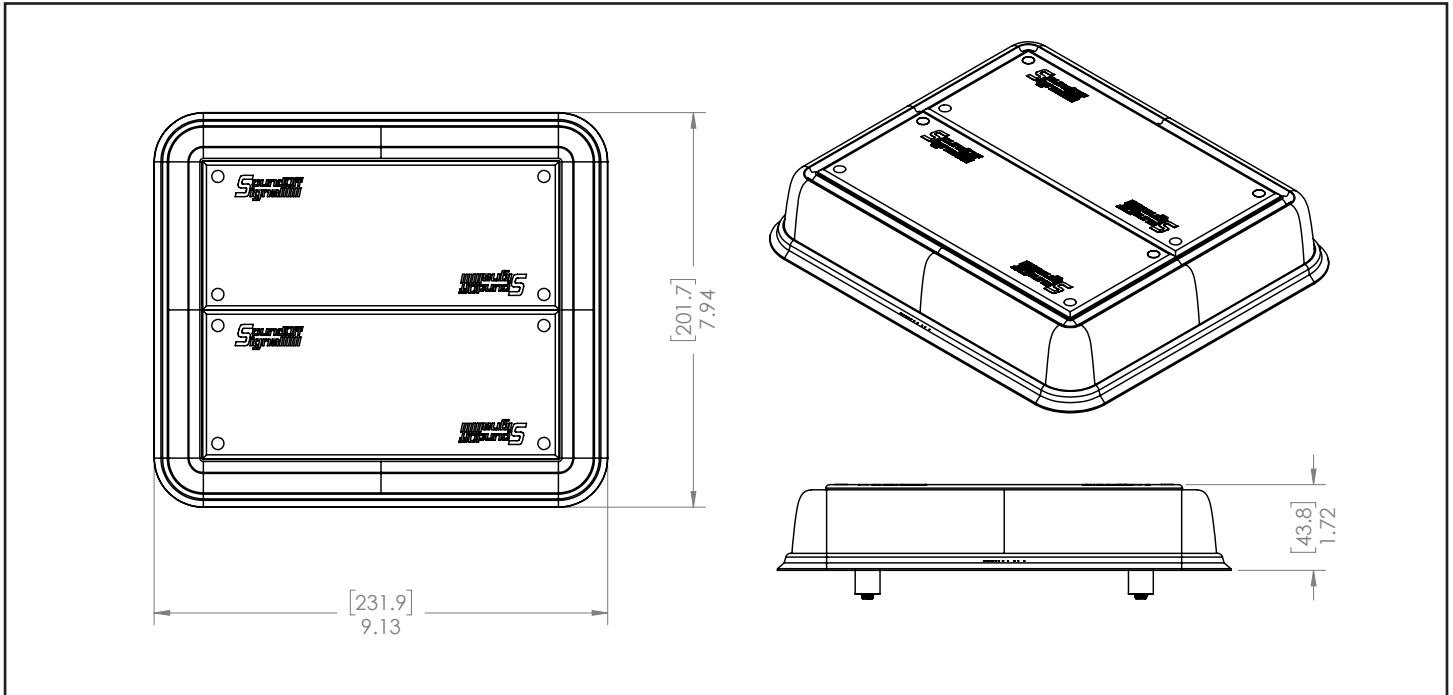
LOCK NUT MOUNT



WELL NUT MOUNT

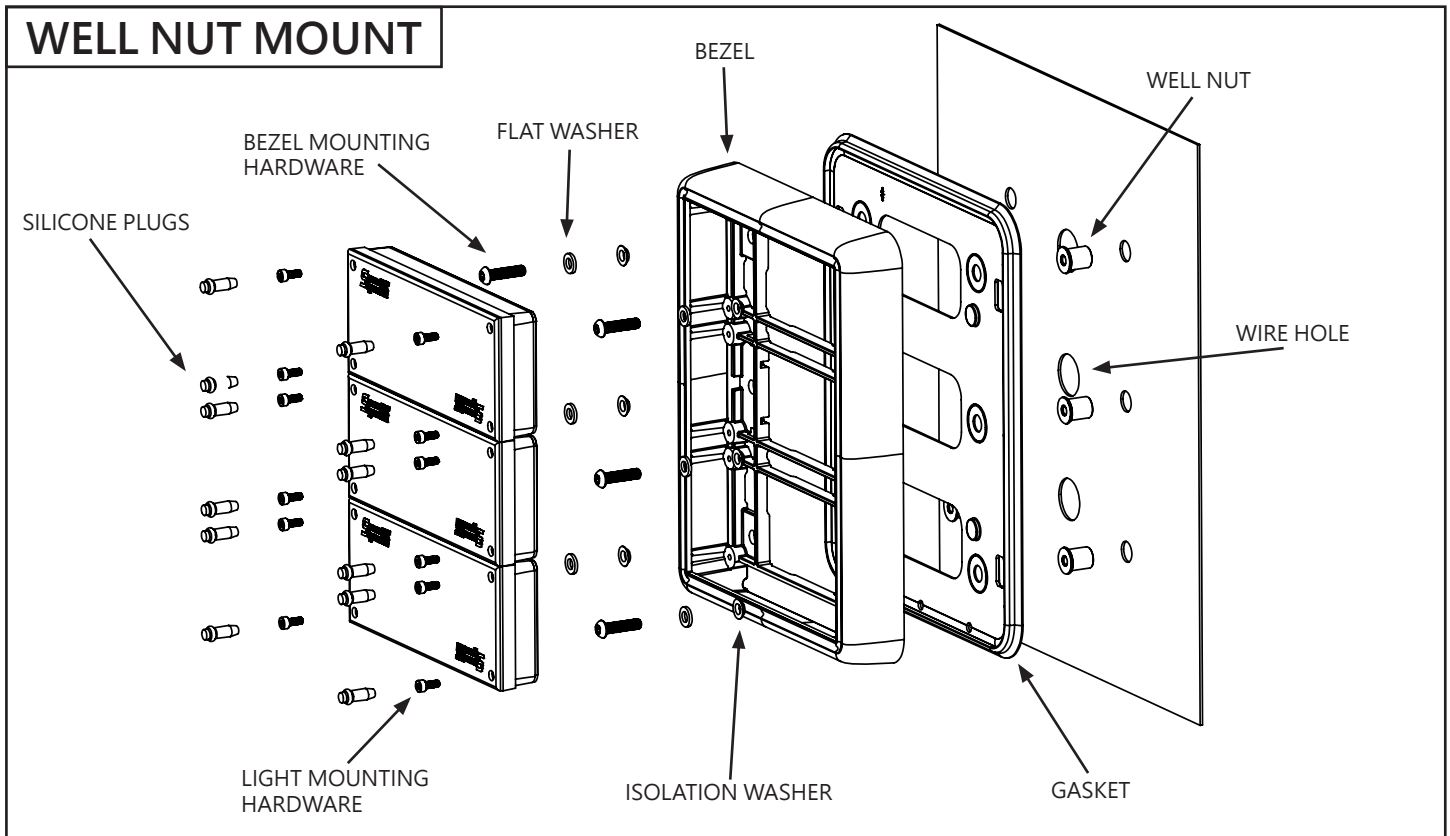
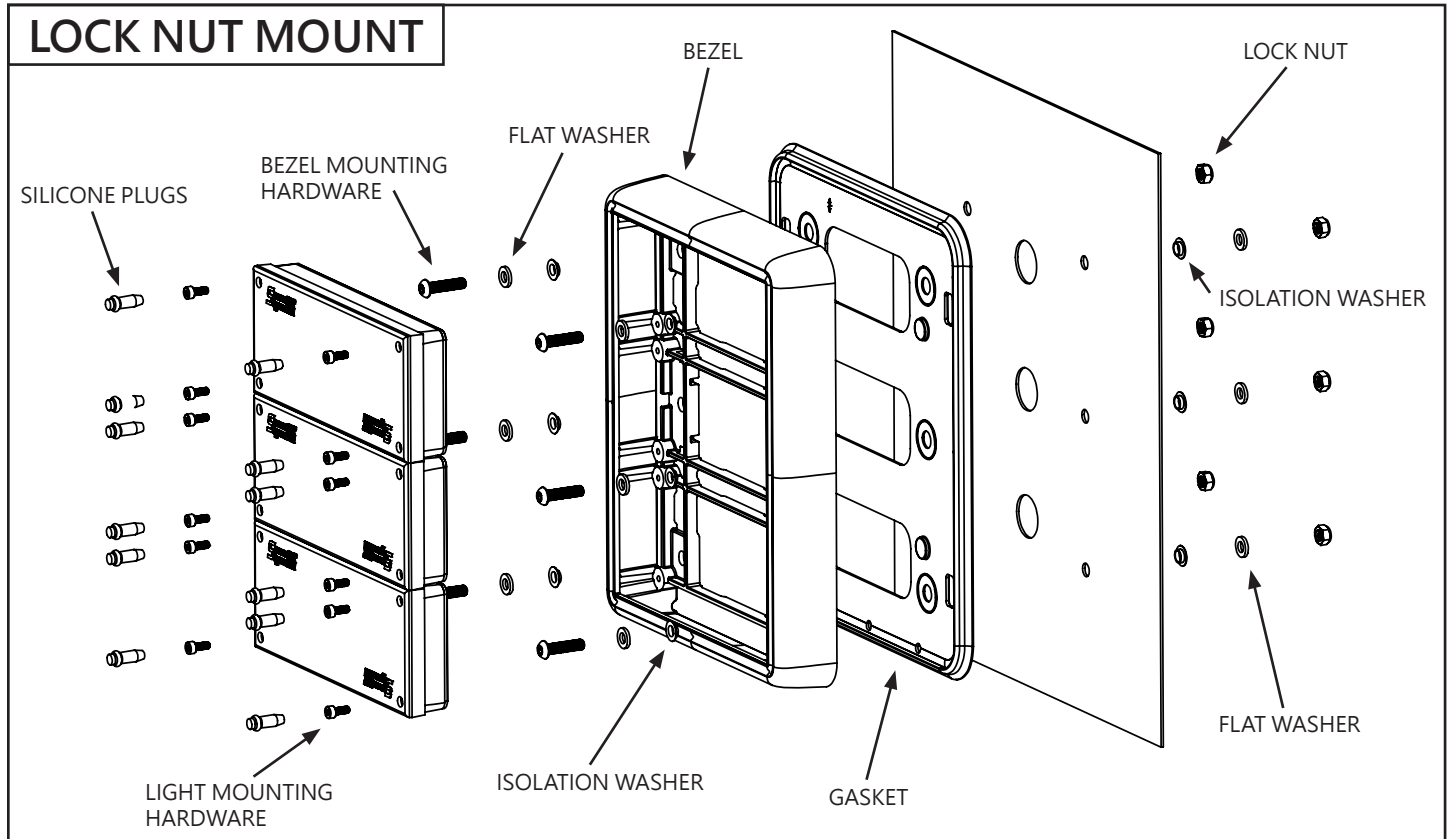


PMP8BZL12X 7X3 2 MODULE

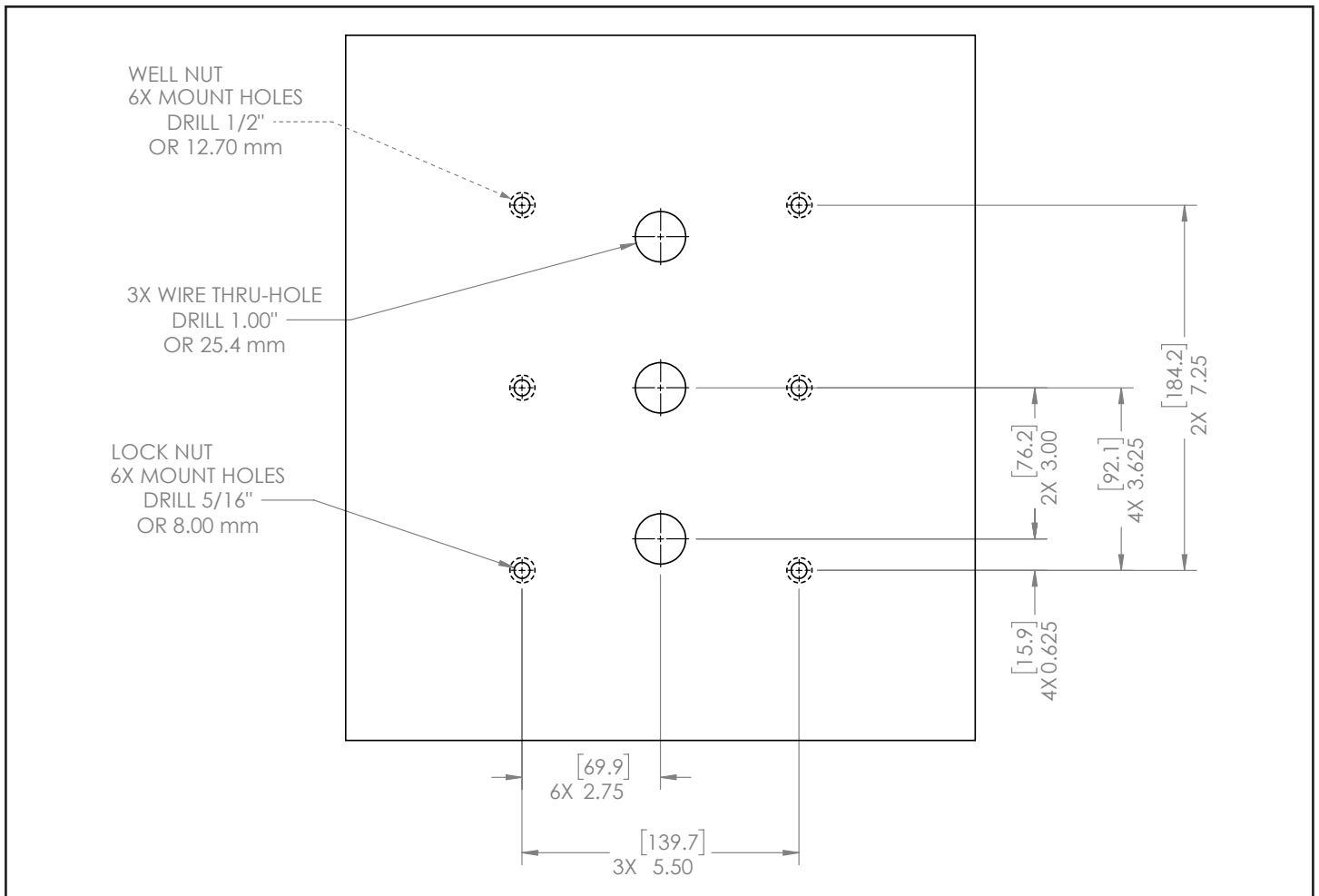
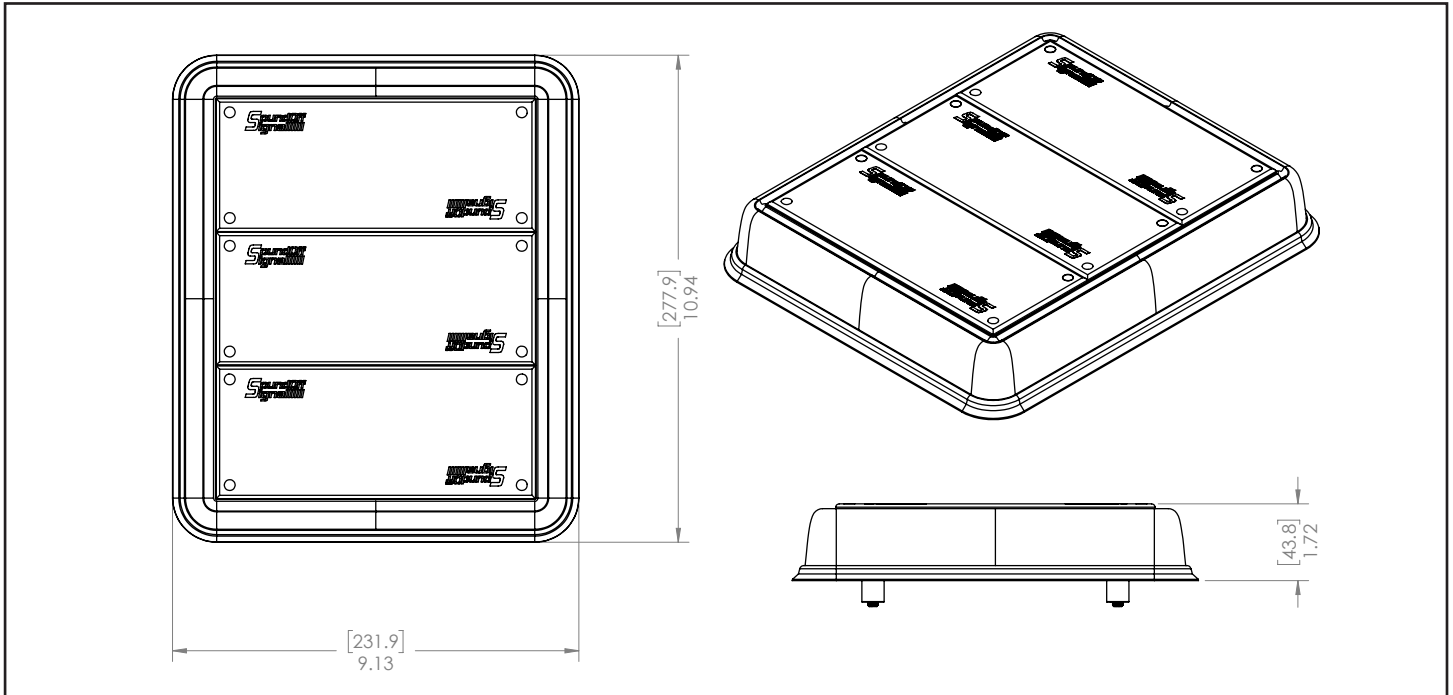


PMP8BZL12X MOUNT TEMPLATE
NOT TO SCALE, FOR REFERENCE ONLY

PMP8BZL13X 7X3 3 MODULE

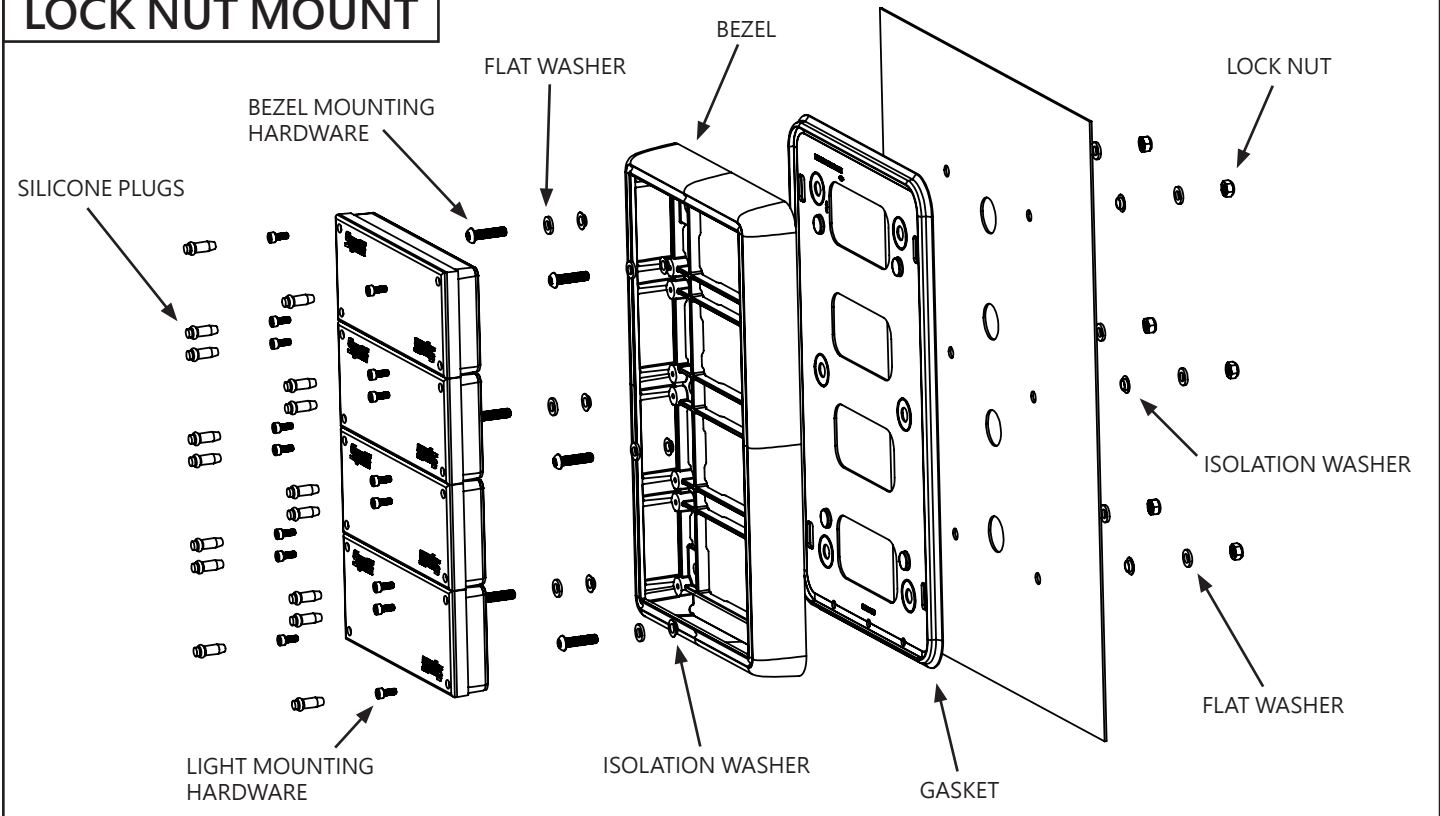


PMP8BZL13X 7X3 MODULE

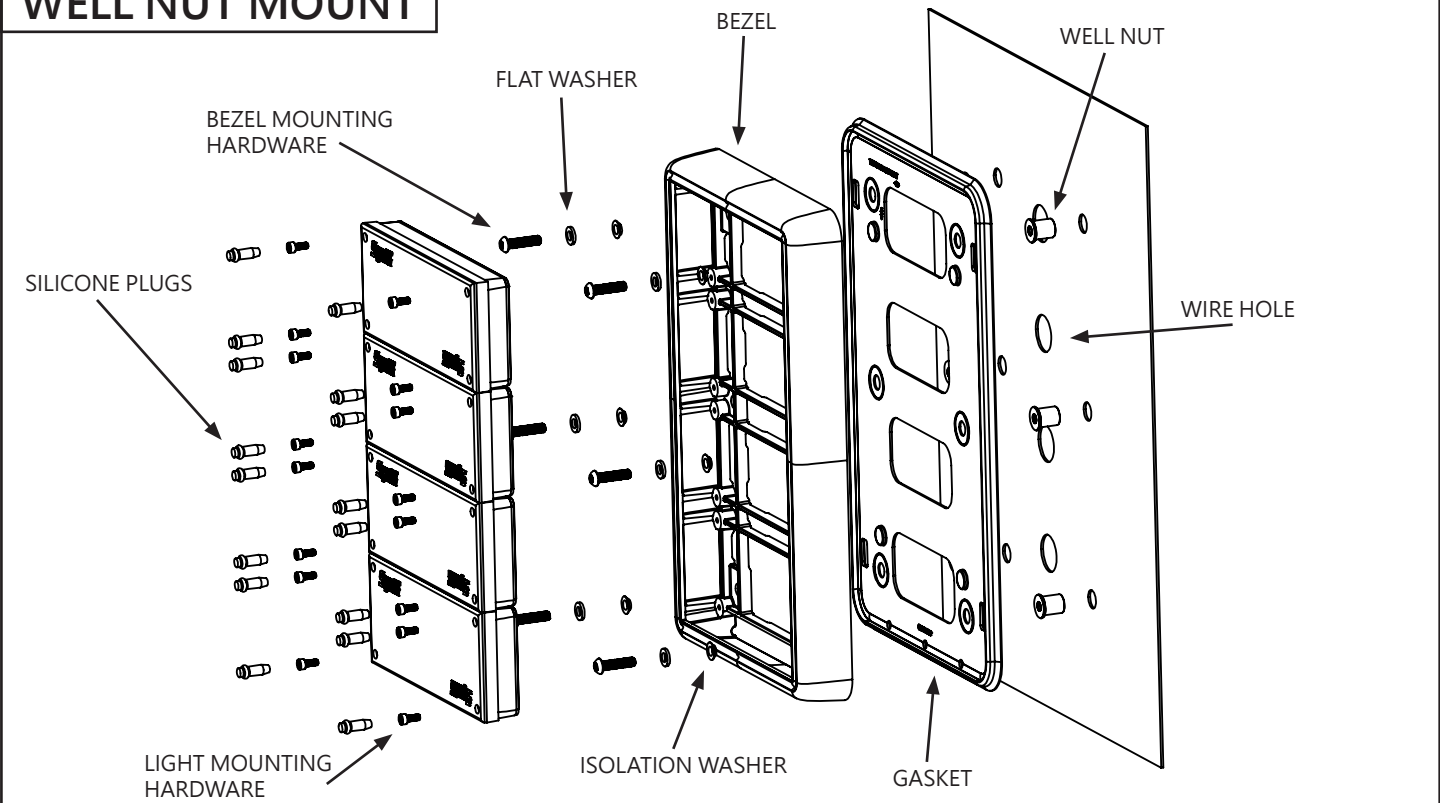


PMP7BZL13X MOUNT TEMPLATE
NOT TO SCALE, FOR REFERENCE ONLY

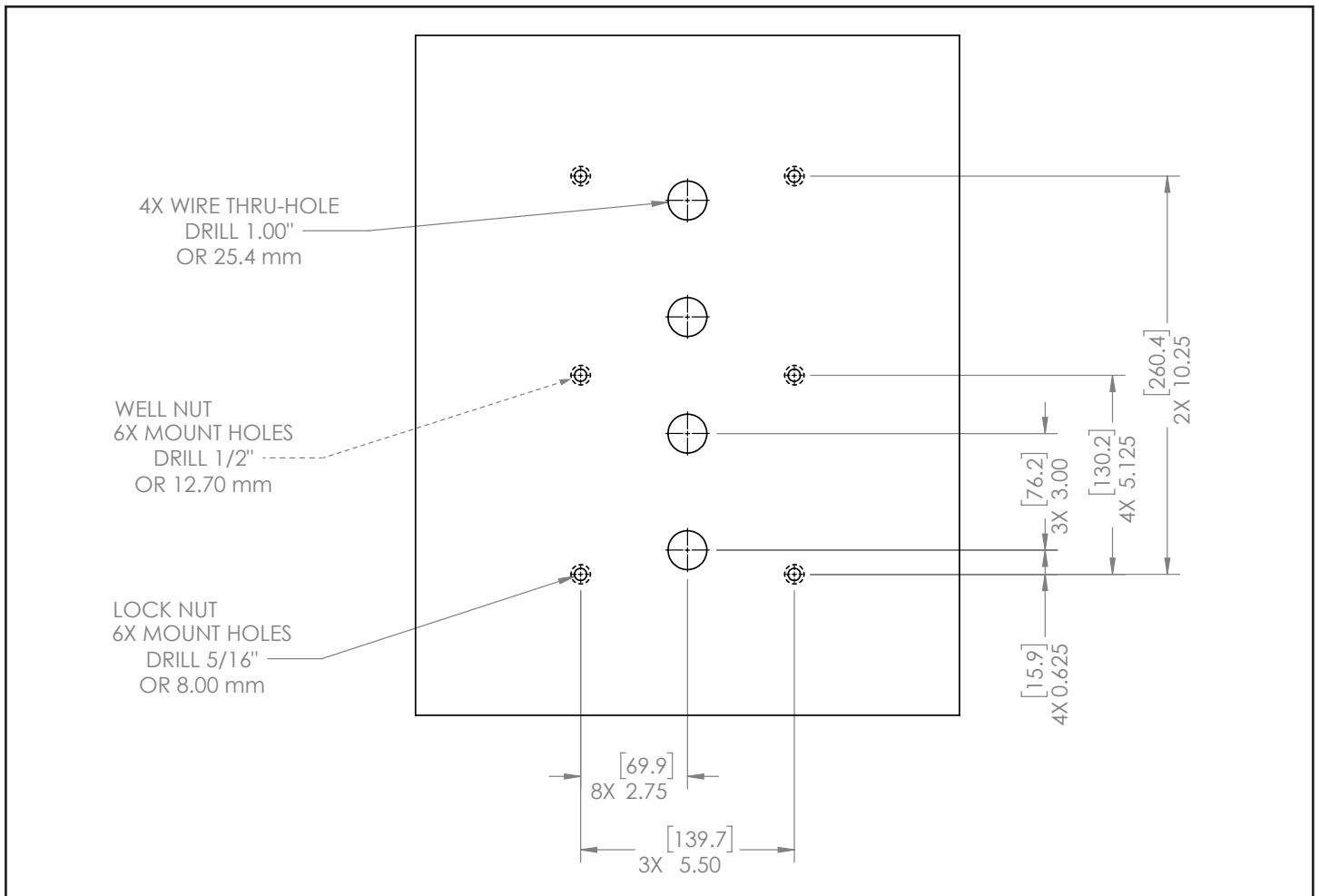
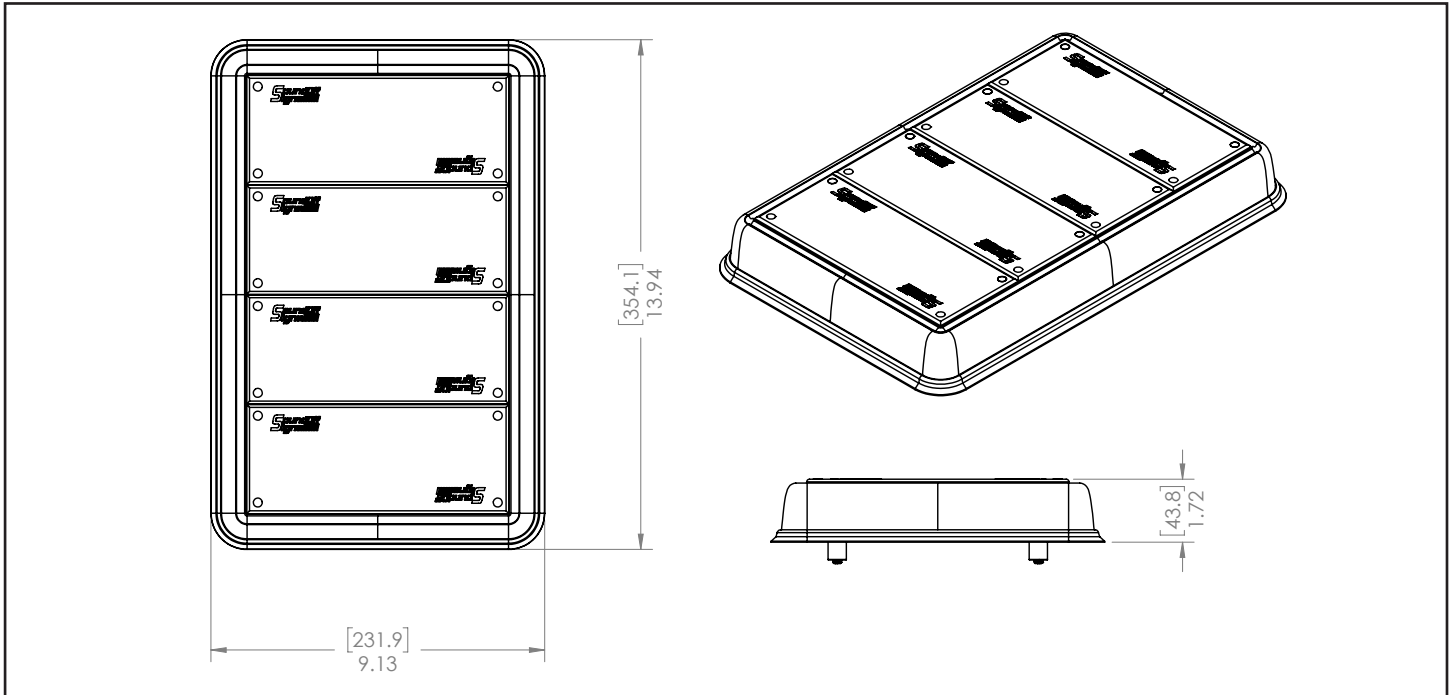
LOCK NUT MOUNT



WELL NUT MOUNT



PMP8BZL14X 7X3 4 MODULE



PMP8BZL14X MOUNT TEMPLATE
NOT TO SCALE, FOR REFERENCE ONLY