



with Clear Duty® Technology

**FASCIA LIGHTS - 4"**

- EMPS2QM(x)(xxx) - QUICK MOUNT
- EMPS2SMS(x)(xxx) - SCREW MOUNT
- EMPS2STS(x)(xxx) - STUD MOUNT THREADED

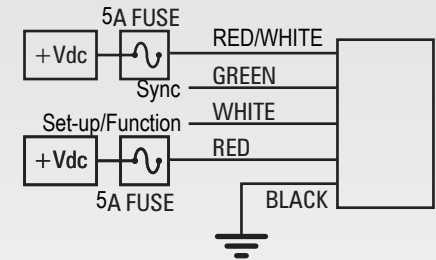
**FASCIA LIGHTS - 3"**

- EMPS1QM(x)(xxx) - QUICK MOUNT
- EMPS1SMS(x)(xxx) - SCREW MOUNT
- EMPS1STS(x)(xxx) - FORD GRILLE MOUNT
- EMPS1SLS(x)(xxx) - STUD MOUNT THREADED

TECHNICAL SPECIFICATIONS				
Dimensions (From Mounting Surface)		4.52"L x 0.92"H x 0.42"D		
4" Screw Mount:		4.04"L x 0.92"H x 0.42"D		
4" Stud, Threaded Mount:		4.04"L x 0.92"H x 0.42"D		
4" Quick Mount:		3.425"L x .092"H x 0.42"D		
3" Screw Mount:		2.9"L x 0.92"H x 0.42"D		
3" Stud, Threaded Mount:		2.9"L x 0.92"H x 0.42"D		
3" Quick Mount:		2.9"L x 0.92"H x 0.47"D		
Input Voltage:		9-32Vdc		
4" CURRENT CONSUMPTION (Amps)				
12.8Vdc		25.6Vdc		
	Peak	Average	Peak	Average
Red	0.62	0.36	0.31	0.18
Amber, Blue, Green or White	0.90	0.60	0.45	0.30
3" CURRENT CONSUMPTION (Amps)				
12.8Vdc		25.6Vdc		
	Peak	Average	Peak	Average
Red	0.62	0.26	0.31	0.13
Amber, Blue, Green or White	0.90	0.38	0.45	0.19
<b>AFTER POWER IS ON</b> , touching the WHITE wire to the ground will allow you to change various settings on the module. (refer to page 8)				

WIRE HOOK-UP TABLE	
WIRE COLOR:	FUNCTION:
RED	Power (Primary)
BLACK	Ground
GREEN**	Sync2 *
WHITE to GROUND	Setup Wire (See pg. 8*)
WHITE to POWER	Function Wire
RED/WHITE	Power (Secondary)

\*\* To sync multiple mPower lights, connect the Green wire from each light together.  
 \* Will NOT work w/ other sync products such as Ghost, LED3, & 4 wire Intersector w/external flasher.  
 \*Will Work with Sync 2 products nFORCE Secondary Lights, nFORCE FIT and 5 wire Intersector Lights.



**⚠ WARNING**

- HIGH CURRENT interconnects must be properly terminated. Poor crimp quality can cause heat build-up and fire. Follow crimp connector manufacturer instructions.
- DO NOT install this product or route any wires in the Air Bag Deployment Zone. Refer to vehicle Owner's Manual for deployment zones.
- Unit may become hot to touch during normal operation.
- Failure to properly install connectors, fuses or wiring may cause vehicle failure or fire.
- Installation must only be performed by trained technician. Installer must determine vehicle wiring configuration and proper integration of system.
- Use proper wire gauge. All power wires connecting to positive (+) or negative (-) battery terminal or local chassis ground (-) must be sized to supply at least 125% of max. current and properly fused at power source.
- Install protective grommets when routing wire through firewall or metal.

**NOTICE:**

Installers and users must comply with all applicable federal, state and local laws regarding use and installation of warning devices.

*Improper use or installation may void warranty coverage. To review our Limited Warranty Statement & Return Policy for this or any SoundOff Signal product, visit our website at [www.soundoffsignal.com/sales-support](http://www.soundoffsignal.com/sales-support). If you have questions regarding this product, contact **Technical Services**, Monday - Friday, 8 a.m. to 5 p.m. at 1.800.338.7337 (press #4 to skip the automated message). Questions or comments that do not require immediate attention may be emailed to [techservices@soundoffsignal.com](mailto:techservices@soundoffsignal.com).*

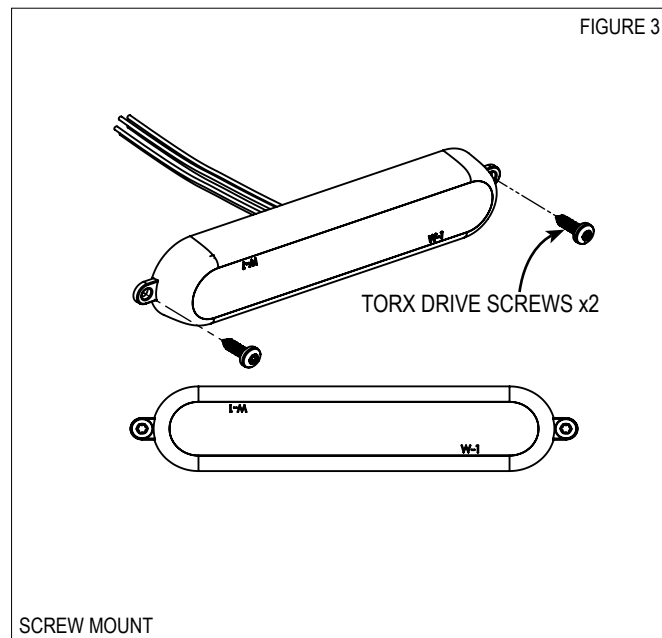
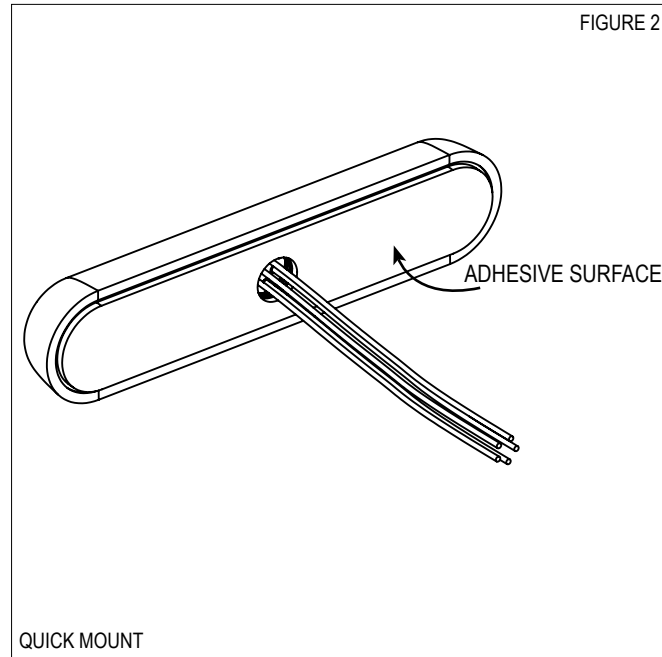
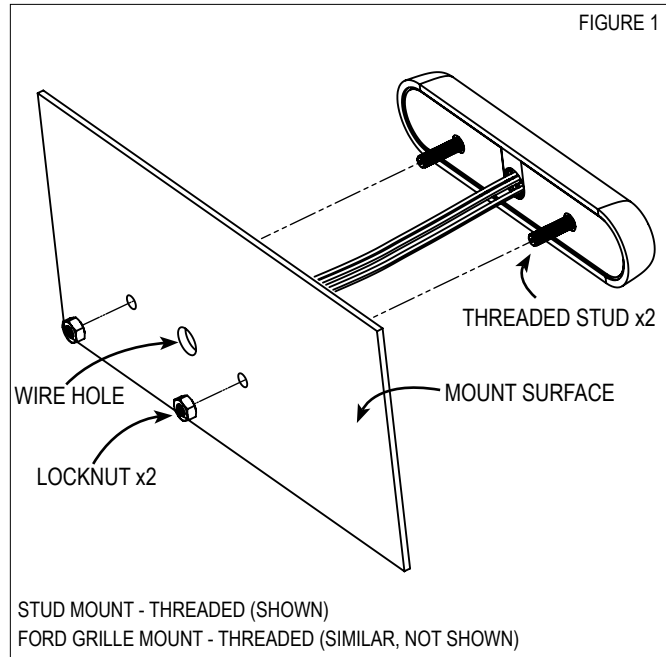
**⚠ WARNING**  
 This product contains high intensity LED devices. To prevent eye damage, DO NOT stare into the light beam at close range.



1.800.338.7337 / [www.soundoffsignal.com](http://www.soundoffsignal.com)

SUPERIOR CUSTOMER RELATIONSHIPS. SMARTLY DESIGNED LIGHTING & ELECTRONIC SOLUTIONS.

with Clear Duty® Technology



## INSTALLATION:

### Stud Mount (Figure 1)

1. Pre-Drill per stud mount pattern indicated on page 11 (3") or per the supplied mounting template (4").
2. Clean the surface as required.
3. Deburr hole as required.
4. Make wire connections and feed wire through the drilled wire hole.
5. Install light, inserting 2 studs into the 2 drilled holes.
6. Install 2 lock nuts onto studs behind mount surface.  
Hand tighten only until mount surface and light are flush.

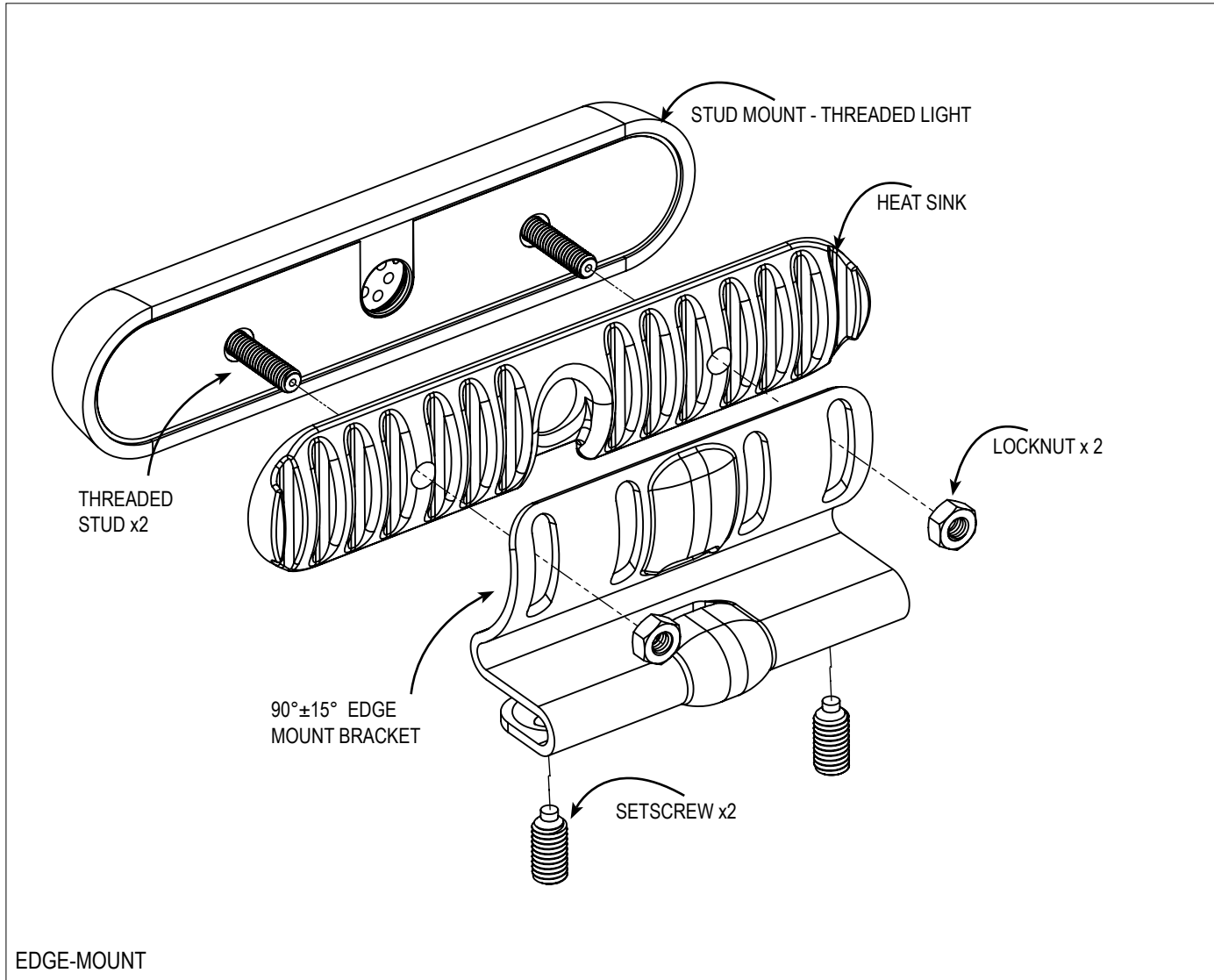
### Quick Mount (Figure 2)

1. Pre-Drill per quick mount pattern indicated on page 10 (4") or page 11 (3"). (Wire hole only).
2. Deburr hole as required.
3. Clean surface with supplied alcohol wipe.
4. Make wire connection and feed wire through the drilled wire hole.
5. Remove adhesive backer and align light into desired position. Apply to surface and hold firmly for 30 seconds. **CAUTION! APPLY UNIFORM PRESSURE ACROSS FULL FACE OF LIGHT.**

### Screw Mount (Figure 3)

1. Pre-Drill per screw mount pattern indicated on page 10 (4") or page 11 (3").
2. Deburr and clean the surface as required.
3. Make wire connections and feed the wire through the drilled wire hole.
4. Install light with 2x Torx drive screws and hand tighten only until mount surface and light are flush.

with Clear Duty® Technology

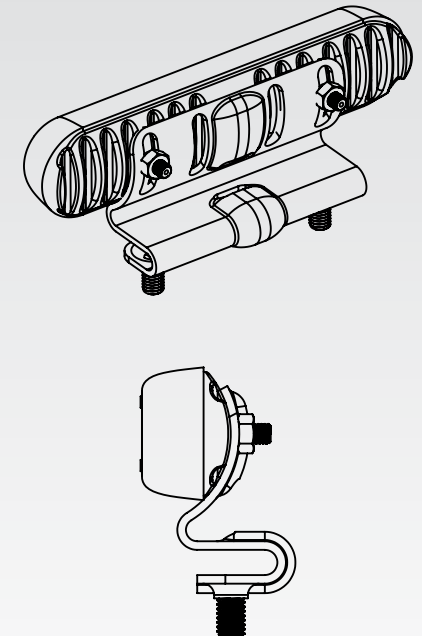


EDGE-MOUNT

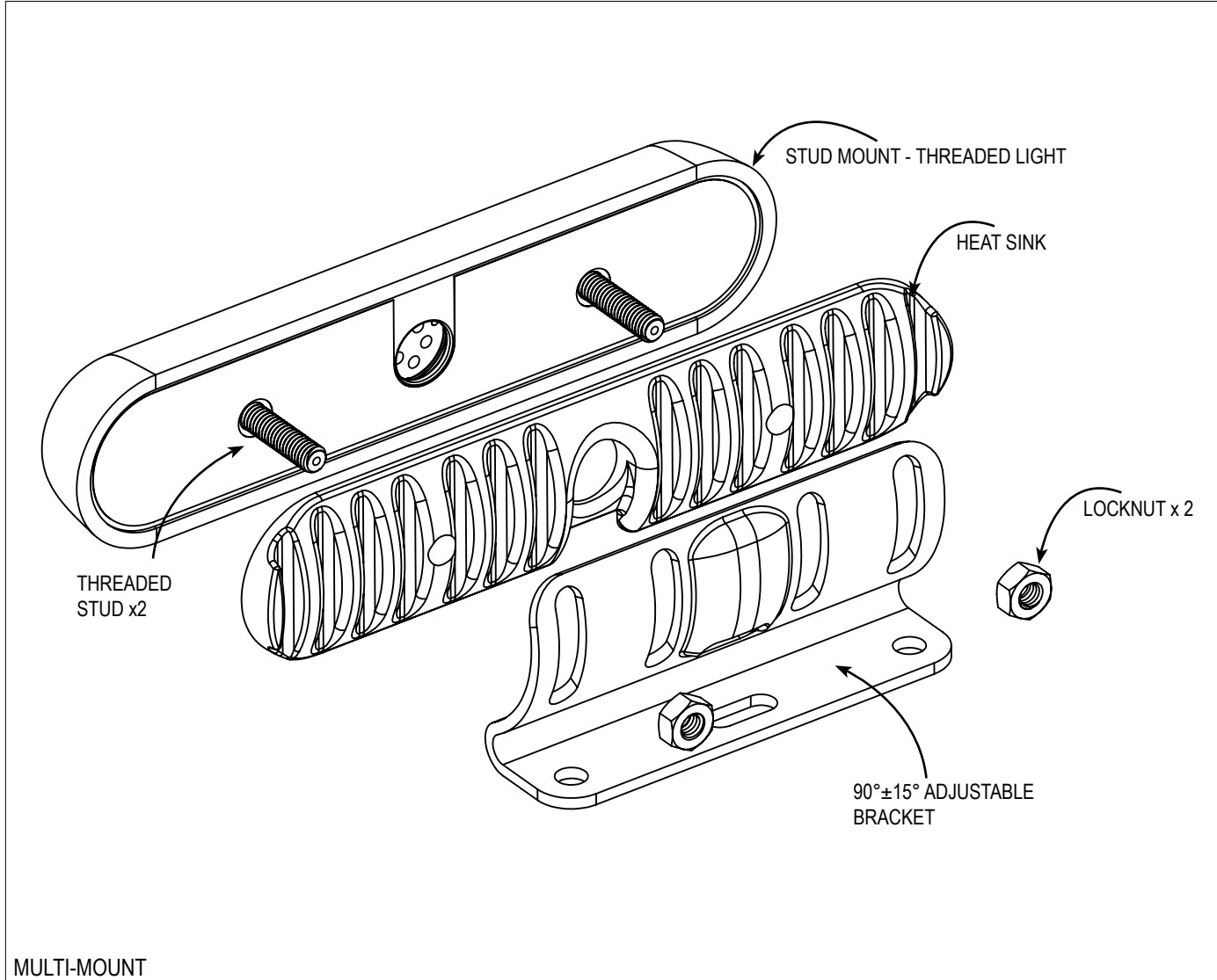
## INSTALLATION:

### Edge-Mount Bracket

1. Install Heat Sink onto "mPOWER Stud Mount, Threaded" light as indicated. Wire passed through center hole.
2. Install bracket onto "mPOWER Stud Mount, Thread" light as indicated. Wire passed through rear relief and into lower edge grip relief.
3. Install 2 lock nuts onto "mPOWER Stud Mount, Thread" light. Hand tighten until final adjustment.
4. Place bracket over desired vehicle's edge surface (i.e. rear hood), ensure wire is fully seated in rear relief, wrapping around edge lying flat.
5. Tighten 2 setscrews to vehicle's edge surface.
6. Adjust angle of light to desired direction and tighten 2 lock nuts until secure.
7. Make wire connections.



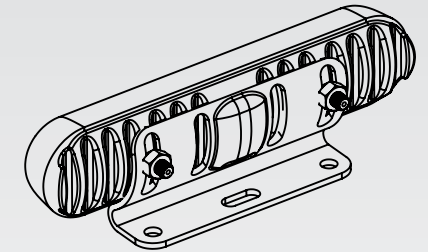
with Clear Duty® Technology



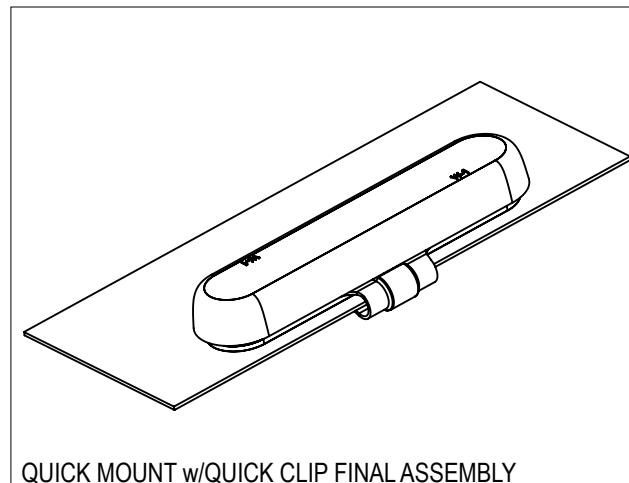
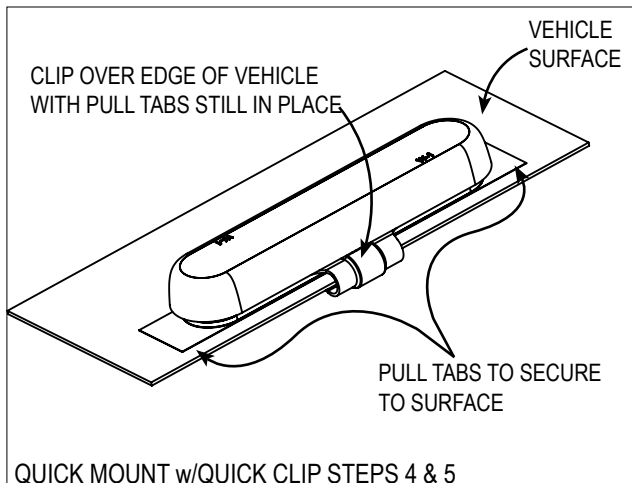
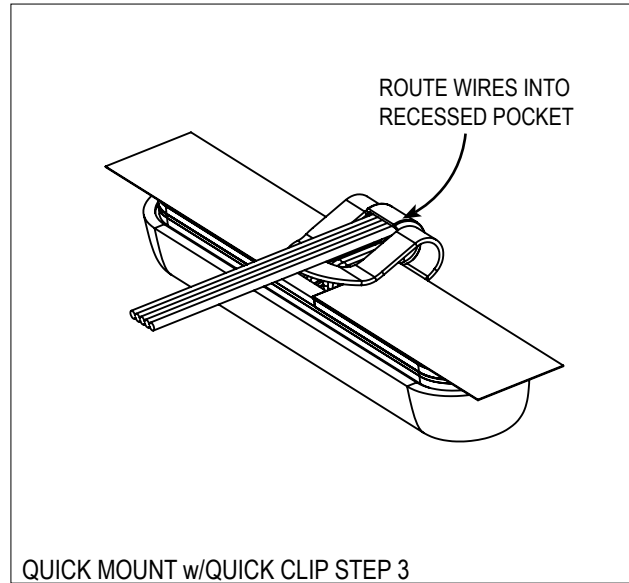
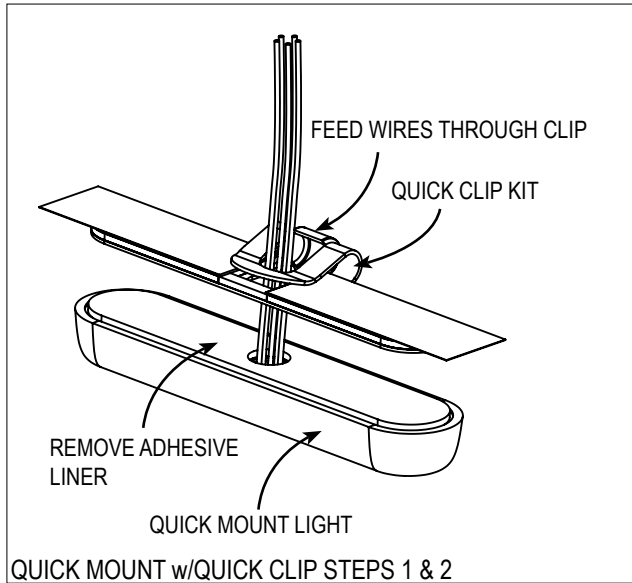
## INSTALLATION:

### Multi-Mount Bracket

1. Pre-drill mount holes as required (bracket holes and spacing are indicated on page 10 (4") or page 11 (3")).
2. Place bracket onto desired vehicle's surface and secure with screws (not provided).
3. Install Heat Sink onto "mPOWER Stud Mount, Threaded" light as indicated. Wire passes through center hole.
4. Install "mPOWER Stud Mount, Thread" light onto bracket as indicated. Wire passes through rear relief.
5. Install 2 lock nuts onto "mPOWER Stud Mount, Thread" light as indicated. Hand tighten until final adjustment.
6. Adjust angle of light to desired direction and tighten 2 lock nuts until secure.
7. Make wire connections.



with Clear Duty® Technology



## INSTALLATION:

### Quick Mount w/Quick Clip

1. Prep surface with supplied alcohol wipe.
2. Feed wires through quick clip as shown.
3. Remove adhesive liner on the light and install clip to light. Make sure to properly align ends before placing down.
4. Route wires into recessed pocket lying flat in pocket.
5. With red pull tabs still in place, clip light over edge of vehicle surface. Be careful to make sure red pull tabs **DO NOT PEEL, FOLD UNDER OR WRINKLE**. Make sure wire is lying flat and is not pinched.
6. With light properly oriented, pull red tabs to secure light to surface.
7. Make wire connections.

FOR USE WITH STUD MOUNT MPOWERS® ONLY



GRILLE MOUNT BACK PLATE (PMP2BKGBP)

## INSTALLATION:

### Grille Mount Back Plate (PMP2BKGBP)

1. Find placement for mPower® light location.
2. Use the Stud Mount templates on Page 11, for a 4" mPower® light, or Page 12, for a 3" mPower® light. Drill 3 holes in the location of the new mPower. These holes will be for the mPower studs and wires.
3. Feed the wires through the wire exit hole first. Then push the studs through.
4. Put the back plate on the outer side of the surface you drilled into. Then put the nuts onto the studs and tighten down.



with Clear Duty® Technology

**OVER-VOLTAGE PROTECTION**

When an over-voltage condition is detected, the module will flash an over-voltage warning pattern of 50mS ON/950mS OFF to alert of the over-voltage condition and protect the electronics from damage due to heat/voltage.

**THERMAL COMPENSATION PROTECTION**

The LED module is designed to provide maximum power output while providing protection to the electronic components by reducing the output power at extreme temperatures.

**SYNC 2**

Synchronizing the flashing of multiple light modules is accomplished by connecting the Green wires of different light modules together. Up to 24 light modules can be connected for synchronized flashing. All light module flash patterns must be set to the same flash pattern # to ensure proper operation. Refer to the Sequence Type section in Set-Up Table (page 8) to setup light modules to flash in alternate or simultaneous flash pattern. NOTE: Will NOT work with non-Sync 2 products such as Ghost, LED3, and 4 wire Intersector. WILL WORK with Sync 2 products nFORCE Secondary Lights, nFORCE FIT and 5 wire Intersector Lights.

FLASH PATTERNS			
PATTERN #	SINGLE COLOR	DUAL COLOR	TRI-COLOR
1		QUINT	
2		WARP	
3		INTER-CYCLE	
4		DOUBLE	
5		QUAD	
6		POWER PULSE	
7		ROAD RUNNER	
8		Q-SWITCH	
9		STEADY-BURN / ROADRUNNER (SEQUENCE TYPE 1: STEADY BURN, SE- QUENCE TYPE 2: ROADRUNNER)	
10		STEADY-BURN DRIVER TITLE 13 QUAD (SEQUENCE TYPE 1: STEADY BURN, SE- QUENCE TYPE 2: TITLE 13 QUAD)	
11		QUAD 2	
12		DOUBLE 2	
13			RANDOM 1
14			RANDOM 2



1.800.338.7337 / www.soundoffsignal.com



with Clear Duty® Technology

**FUNCTION TABLES**

Changing the function table is only enabled when the LED module is in a flashing mode (disabled in cruise or steady ON functions.) The functional operation of the LED module can be changed while applying the +V to the Red wire with the black wire connected to ground. When the light is flashing, momentarily connect the White wire to ground for >4S and <5S (light will go steady high, steady low, off, steady high, steady low) then release. The function table will now advance to the next table (table 1 to table 2, table 2 to table 3, or table 3 to table 1. In the case that the custom table is programmed, the order is 1 to 2, 2 to 3, 3 to 7 (custom), and 7 to 1.) Repeat above process until required function table is active.

FUNCTION TABLE 1					
WIRE			LIGHT		
RED	R/W	WHT	SINGLE	DUAL	TRI
+9-32V			FLASH	FLASH DUAL	FLASH TRI
	+9-32V		CRUISE	STEADY CLR 2	STEADY CLR 3
+9-32V	+9-32V		FLASH	STEADY CLR 2	STEADY CLR 3
		+9-32V	NO OP	NO OP	NO OP
+9-32V		+9-32V	LOW PWR FLASH	FLASH CLR 1	FLASH CLR 1
	+9-32V	+9-32V	CRUISE	FLASH CLR 2	FLASH CLR 2
+9-32V	+9-32V	+9-32V	LOW PWR FLASH	FLASH DUAL	FLASH CLR 3

FUNCTION TABLE 2					
WIRE			LIGHT		
RED	R/W	WHT	SINGLE	DUAL	TRI
+9-32V			FLASH	FLASH CLR 1	FLASH DUAL
+9-32V		+9-32V	CRUISE	FLASH DUAL	FLASH TRI
	+9-32V		STEADY CLR 1	STEADY CLR 2	STEADY CLR 3
	+9-32V	+9-32V	STEADY CLR 1	STEADY CLR 2	STEADY CLR 3
+9-32V	+9-32V	+9-32V	STEADY CLR 1	STEADY CLR 2	STEADY CLR 3
		+9-32V	NO OP	NO OP	NO OP
+9-32V	+9-32V		STEADY CLR 1	STEADY CLR 2	STEADY CLR 3

FUNCTION TABLE 3					
WIRE			LIGHT		
RED	R/W	WHT	SINGLE	DUAL	TRI
+9-32V			FLASH	FLASH DUAL	FLASH TRI
	+9-32V		FLASH LOW PWR	FLASH DUAL LOW PWR	FLASH TRI LOW PWR
+9-32V	+9-32V		FLASH LOW PWR	FLASH DUAL LOW PWR	FLASH TRI LOW PWR
		+9-32V	NO OP	NO OP	NO OP
+9-32V		+9-32V	FLASH LOW PWR	FLASH DUAL LOW PWR	FLASH TRI LOW PWR
	+9-32V	+9-32V	FLASH LOW PWR	FLASH DUAL LOW PWR	FLASH TRI LOW PWR
+9-32V	+9-32V	+9-32V	FLASH LOW PWR	FLASH DUAL LOW PWR	FLASH TRI LOW PWR

**AFTER SELECTION**

The light will "wink" to indicate which of the new tables is selected. Custom table will "wink" 7 times.



1.800.338.7337 / www.soundoffsignal.com





with Clear Duty® Technology

**COLOR SWAP**

This function is only valid for dual and tri-color light modules and can only be changed when the light module is in a flashing mode (disabled for single color modules and when light module is operating in cruise or steady ON functions). When the light is flashing, momentarily connect the white wire to ground for >2S and <3S (light will go steady high, steady low, off) then release. The light module will switch between Color Swap OFF and Color Swap ON. When Color Swap is OFF, the 1st color will flash 1st on a dual/tri color pattern. When Color Swap is ON, the 2nd color will flash 1st on a dual/tri color pattern.

**SIMULTANEOUS/ALTERNATE**

This function can only be changed when the LED module is in a flashing mode (disabled in cruise or steady ON functions) and only has an effect when at least 2 LED modules have the green sync wire connected together. When the light is flashing, momentarily connect the white wire to ground for >3S and <4S (light will go steady high, steady low, off, steady high) then release. The light module will switch between Simultaneous and Alternate each time this sequence is done. To have light modules flash simultaneously, both light modules need to be set to the same sequence type (Set-Up Table). To have light modules flash alternately, the light modules need to be set to different sequence types (Set-Up Table).

**ADVANCE PATTERN**

Flash pattern can only be changed when the LED module is in a flashing mode (disabled in cruise or steady ON functions). When the light is flashing, momentarily connect the white wire to ground for >250mS and <1S (light will go steady high) then release. The flash pattern will advance to the next pattern. If the light module was at the last pattern, the pattern will reset to the 1st pattern.

**BACKUP PATTERN**

This function is only valid when the LED module is in a flashing mode (disabled in cruise or steady ON functions). When the light is flashing, momentarily connect the white wire to ground for >1S and < 2S (light will go steady high, steady low) then release. The flash pattern will backup to the previous pattern. If the light module was at the first pattern, the pattern will change to the last pattern on the list.

**PATTERN RESET**

This function is only valid when the LED module is in a flashing mode (disabled in cruise or steady ON functions). When the light is flashing, momentarily connect the white wire to ground for >5S and <6S (light will go steady high, steady low, off, steady high, steady low, off) then release. The flash pattern will reset to the 1st pattern in the list.

**FACTORY RESET**

This function is only valid when the LED module is in a flashing mode (disabled in cruise or steady ON functions). When the light is flashing, momentarily connect the white wire to ground for >6S and <7S (light will go steady high, steady low, off, steady high, steady low, off, steady high) then release. The LED module will reset to: pattern=1, Function Table=1, Color Swap=OFF, Simultaneous.

SETUP TABLE			
SECONDS		USER INTERFACE	
FROM	TO	VISUAL FEEDBACK	ACTION TAKEN
0	1	STEADY-HIGH (60%)	FORWARD ONE PATTERN
1	2	STEADY-LOW (30%)	BACKWARD ONE PATTERN
2	3	OFF	COLOR SWAP (OFF OR ON )
3	4	STEADY - HIGH (60%)	SEQUENCE TYPE: SIMULTANEOUS OR ALTERNATE
4	5	STEADY - LOW (30%)	SEE FUNCTION TABLE
5	6	OFF	RESET TO PATTERN 1
6	7	STEADY-HIGH (60%)	FACTORY RESET (PATTERN 1, COLOR SWAP: OFF, SIMULTANEOUS) SEPARATE COLOR CONTROL: OFF
<b>If held longer than 7 seconds, the light will go back to flashing the current pattern and no action will be taken.</b>			



1.800.338.7337 / www.soundoffsignal.com



with Clear Duty® Technology

**REMOTE MODE: FOR USE WITH bluePRINT SYSTEM ONLY**

Connecting the Green wire to ground before applying power to the Red or Red/White wires will place the LED module into remote mode and the light output color will be directly controlled by the input wires as shown below.

For Cruise mode or Low Power control of the LED module, the signal to the control wires must be 100 +/- 2Hz using the duty cycle inputs listed below to produce the light output.

mpower® Secondary LED Light Remote Mode Functionality							
Red Wire	Red/Wht Wire	Single Color		Dual Color		Tri Color	
		Color Swap=OFF	Color Swap=ON	Color Swap=OFF	Color Swap=ON	Color Swap=OFF	Color Swap=ON
Cruise	-	Cruise Color 1		Cruise Color 1	Cruise Color 2	Cruise Color 1	Cruise Color 2
-	Cruise			Cruise Color 2	Cruise Color 1	Cruise Color 2	Cruise Color 1
Cruise	Cruise			Cruise Color 2	Cruise Color 1	Cruise Color 3	Cruise Color 3
Flash	-	Flash Color 1		Flash Color 1	Flash Color 2	Flash Color 1	Flash Color 2
-	Flash			Flash Color 2	Flash Color 1	Flash Color 2	Flash Color 1
Flash	Flash			Flash Color 2	Flash Color 1	Flash Color 3	Flash Color 3
Steady ON	-	Steady ON Color 1		Steady ON Color 1	Steady ON Color 2	Steady ON Color 1	Steady ON Color 2
-	Steady ON			Steady ON Color 2	Steady ON Color 1	Steady ON Color 2	Steady ON Color 1
Steady ON	Steady ON			Steady ON Color 2	Steady ON Color 1	Steady ON Color 3	Steady ON Color 3
Cruise	Flash			Flash Color 2/Cruise Color 1 during OFF cycle of Flash	Flash Color 1/Cruise Color 2 during OFF cycle of Flash		
Cruise	Steady ON			Steady ON Color 2	Steady ON Color 1		
Flash	Steady ON			Steady ON Color 2	Steady ON Color 1		

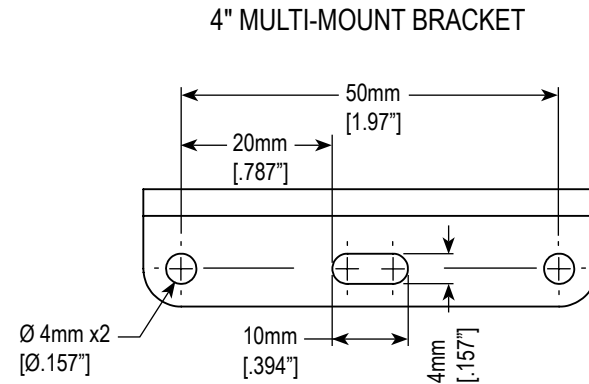
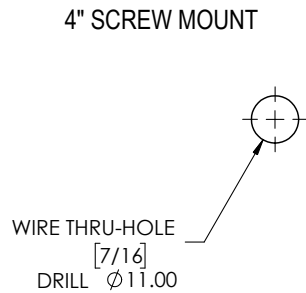
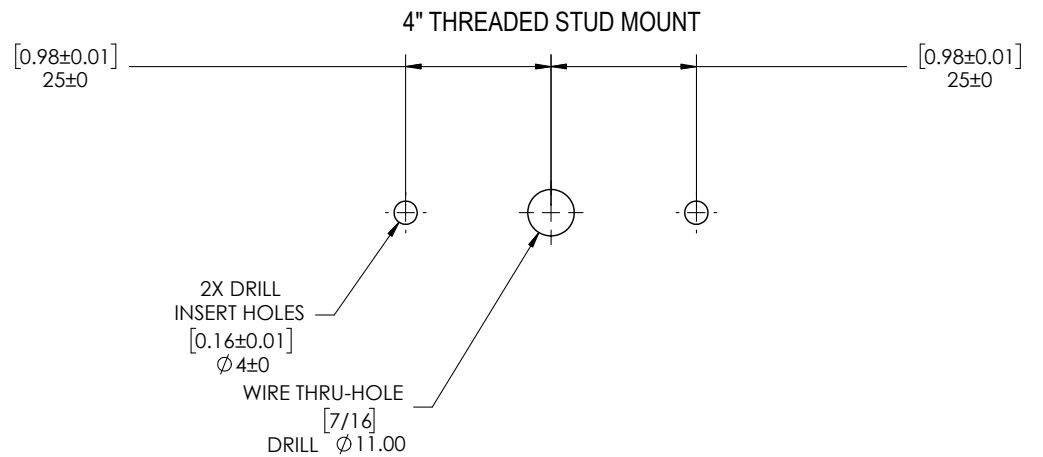
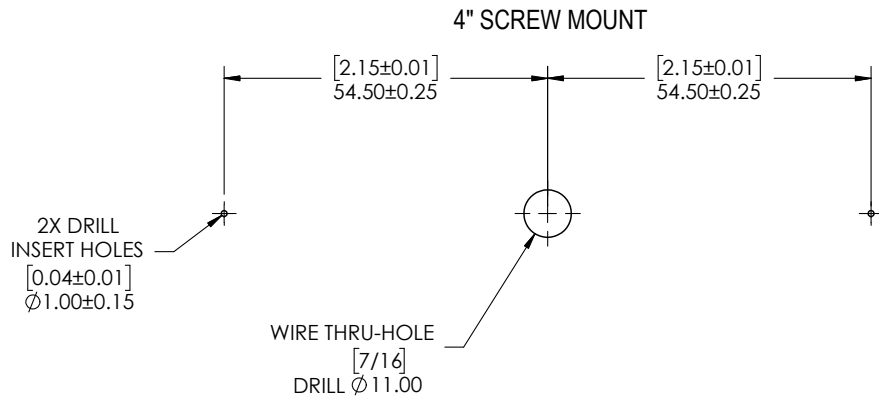
Cruise Mode Duty Cycle (@ 100Hz)	
Input	Light Output
40%	OFF
50%	5%
60%	10%

Low Power Flash D.C. (@ 100Hz)	
Input	Light Output
70%	30%
80%	40%
90%	50%



1.800.338.7337 / www.soundoffsignal.com

## FASCIA LIGHTS - 4"

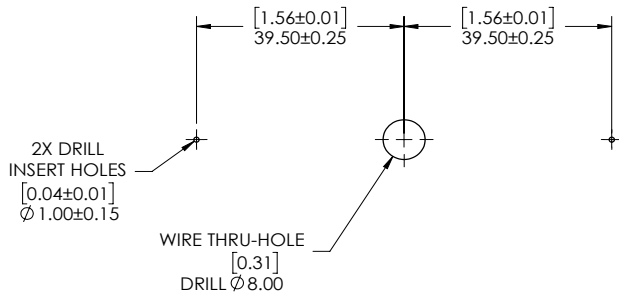


**IMPORTANT NOTE:**

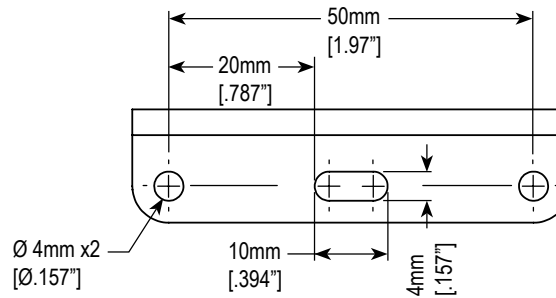
Due to variations in the printing process and environmental factors, the sizes shown may not be accurate. If this document is used as a cutting template, it is the installers responsibility to confirm the accuracy of the dimensions shown and adjust accordingly.

## FASCIA LIGHTS - 3"

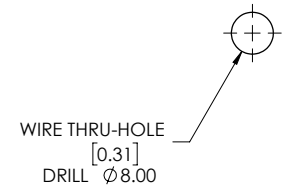
3" SCREW MOUNT



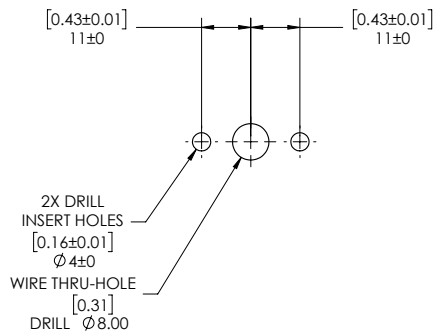
3" MULTI-MOUNT BRACKET



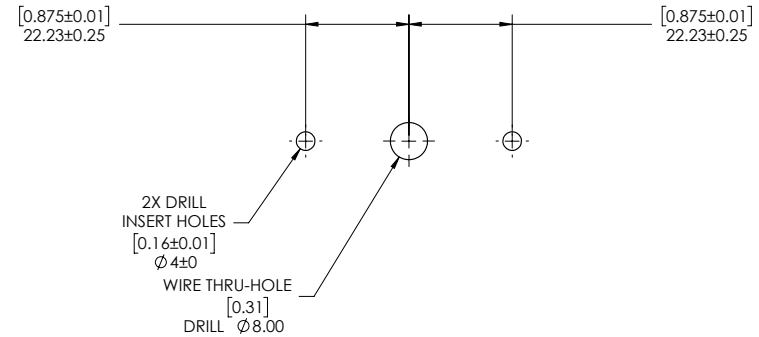
3" SCREW MOUNT



3" FORD GRILLE MOUNT



3" STUD MOUNT



**IMPORTANT NOTE:**

Due to variations in the printing process and environmental factors, the sizes shown may not be accurate. If this document is used as a cutting template, it is the installers responsibility to confirm the accuracy of the dimensions shown and adjust accordingly.

with Clear Duty® Technology

## LUCES SUPERFICIALES- 10.16 CM (4")

EMPS2QM(x)(xxx) - MONTAJE RÁPIDO

EMPS2SMS(x)(xxx)- MONTAJE CON TORNILLOS

EMPS2STS(x)(xxx) - MONTAJE CON PASADORES ROSCADOS

## LUCES SUPERFICIALES -7.62 CM (3")

EMPS1QM(x)(x) - MONTAJE RÁPIDO

EMPS1SMS(x)(xxx)- MONTAJE CON TORNILLOS

EMPS1STS(x)(xxx) - FORD GRILLE MONTAJE

EMPS1SLS(x)(xxx)- MONTAJE DE PERNO

### ESPECIFICACIONES TECNICAS

Dimensiones (desde la superficie de montaje)			
10.16cm Montaje con tornillos:	11,45 cm x 2,33 cm x 1,06 cm		
10.16cm Montaje con pasadores roscados:	11,45 cm x 2,33 cm x 1,06 cm		
10.16cm Montaje adhesivo:	11,45 cm x 2,33 cm x 1,06 cm		
7.62cm Montaje con tornillos:	8.69 cm x .23 cm x 1.07 cm		
7.62cm Montaje con pasadores roscados:	7.36 cm x 2.33 cm x 1.07 cm		
7.62cm Montaje adhesivo:	7.36 cm x 2.33 cm x 1.19 cm		
Voltaje de entrada:		9-32Vdc	
<b>10.16cm CONSUMO DE CORRIENTE (Amps)</b>			
<b>12.8V CC</b>		<b>25.6V CC</b>	
	<b>Pico</b>	<b>Promedio</b>	
<b>Rojo</b>	0.62	0.36	0.18
<b>Ambar, Azul, Verde o Blanco</b>	0.90	0.60	0.30
<b>7.62cm CONSUMO DE CORRIENTE (Amps)</b>			
<b>12.8V CC</b>		<b>25.6V CC</b>	
	<b>Pico</b>	<b>Promedio</b>	
<b>Rojo</b>	0.62	0.26	0.13
<b>Ambar, Azul, Verde o Blanco</b>	0.90	0.38	0.19
<b>DESPUÉS DEL ENCENDIDO</b> , conectar el cable BLANCO a tierra le permitirá modificar varias configuraciones en el módulo. (consulte las pág. 8)			

## ⚠ ADVERTENCIA

- ALTA CORRIENTE: las interconexiones deben estar debidamente terminadas. La calidad deficiente del engarzado puede causar la acumulación de calor e incendios. Siga las instrucciones del fabricante para el conector de engarzado.
- NO instale este producto ni trace ningún cableado en la zona de despliegue de la bolsa de aire. Consulte el manual del propietario del vehículo para obtener información de las zonas de despliegue.
- Durante el funcionamiento normal la unidad podría estar caliente al tacto.
- La instalación incorrecta de los conectores, fusibles o cableado podría causar la falla o el incendio del vehículo.
- La instalación debe ser realizada únicamente por un técnico capacitado. El instalador debe determinar la configuración del cableado del vehículo y la integración adecuada del sistema.
- Utilice un calibrador de cables adecuado. Todos los cables de alimentación conectados a un terminal de batería positivo (+) o negativo (-) o a la masa del chasis local (-) deben tener la dimensión adecuada para suministrar al menos 125 % de la corriente máxima y deben estar correctamente unidos con fusible a la fuente de energía.
- Instalar arandelas protectoras cuando se trace el cableado a través del cortafuego o metal.

### AVISO:

Los instaladores y usuarios deben cumplir todas las leyes federales, estatales y locales con respecto al uso y la instalación de dispositivos de advertencia. El uso o la instalación incorrecta podrían anular la cobertura de la garantía. Para revisar nuestra Declaración de garantía limitada y Política de devolución para este o cualquier producto de SoundOff Signal, visite nuestro sitio web [www.soundoffsignal.com/sales-support](http://www.soundoffsignal.com/sales-support). Si tiene alguna consulta con respecto a este producto, comuníquese con Servicios técnicos de lunes a viernes de 8 a. m. a 5 p. m. al 1.800.338.7337 (presione el n.º 4 para pasar el mensaje automático). Las preguntas o comentarios que no requieren una atención inmediata pueden enviarse por correo electrónico a [techservices@soundoffsignal.com](mailto:techservices@soundoffsignal.com).

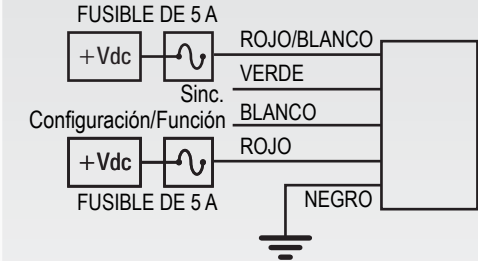
### TABLA DE CONEXIONES DE CABLES

COLOR DEL CABLE:	FUNCIÓN:
ROJO	Potencia (primaria)
NEGRO	Tierra
VERDE**	Sync2*
BLANCO a TIERRA	Función del cable (consulte la pág. 8)
BLANCO a POTENCIA	Cable de función
ROJO/BLANCO	Potencia (secundaria)

\*\*Para sincronizar luces mPower múltiples, conectar el cable verde de cada luz juntos.

\*NO funcionará con otros productos Sync2 como Ghost, LED3 e Intersector cableado de 4 con intermitente externo.

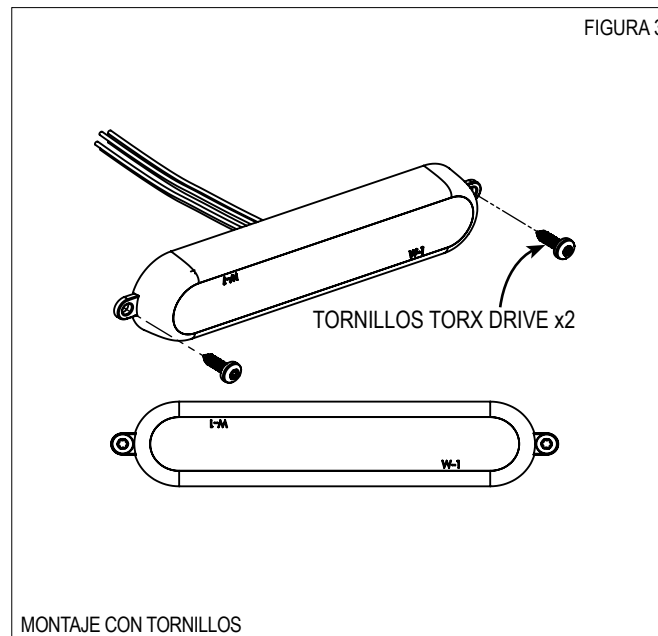
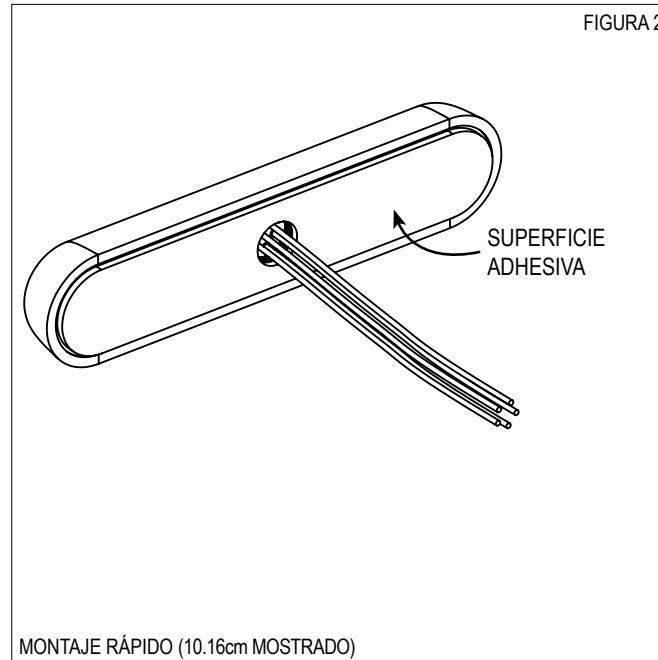
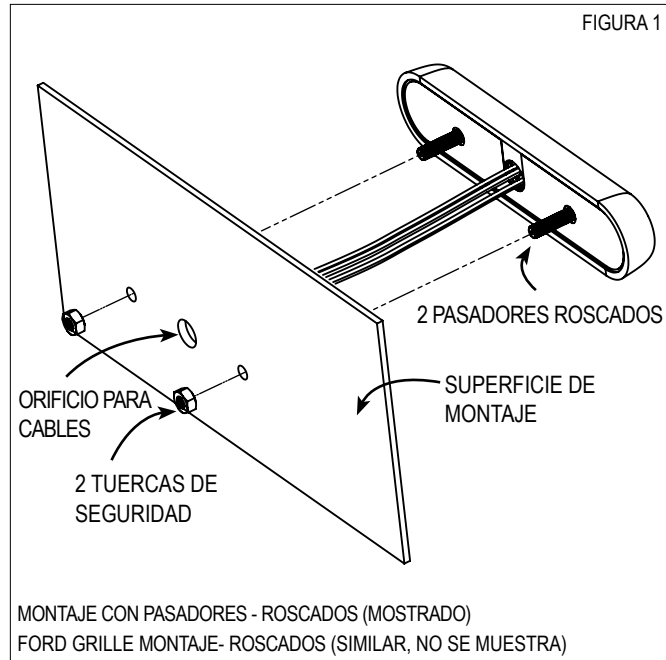
\*Funcionará con los productos Sync2 nFORCE luces secundarias, nFORCE FIT y luces de intersección cableado de 5.



## ⚠ ADVERTENCIA

Este producto contiene dispositivos LED de alta intensidad. Para prevenir el daño ocular. NO mirar directamente al rayo de luz a corta distancia.

with Clear Duty® Technology



## INSTALACIÓN:

### Montaje con pasadores roscados (Figura 1)

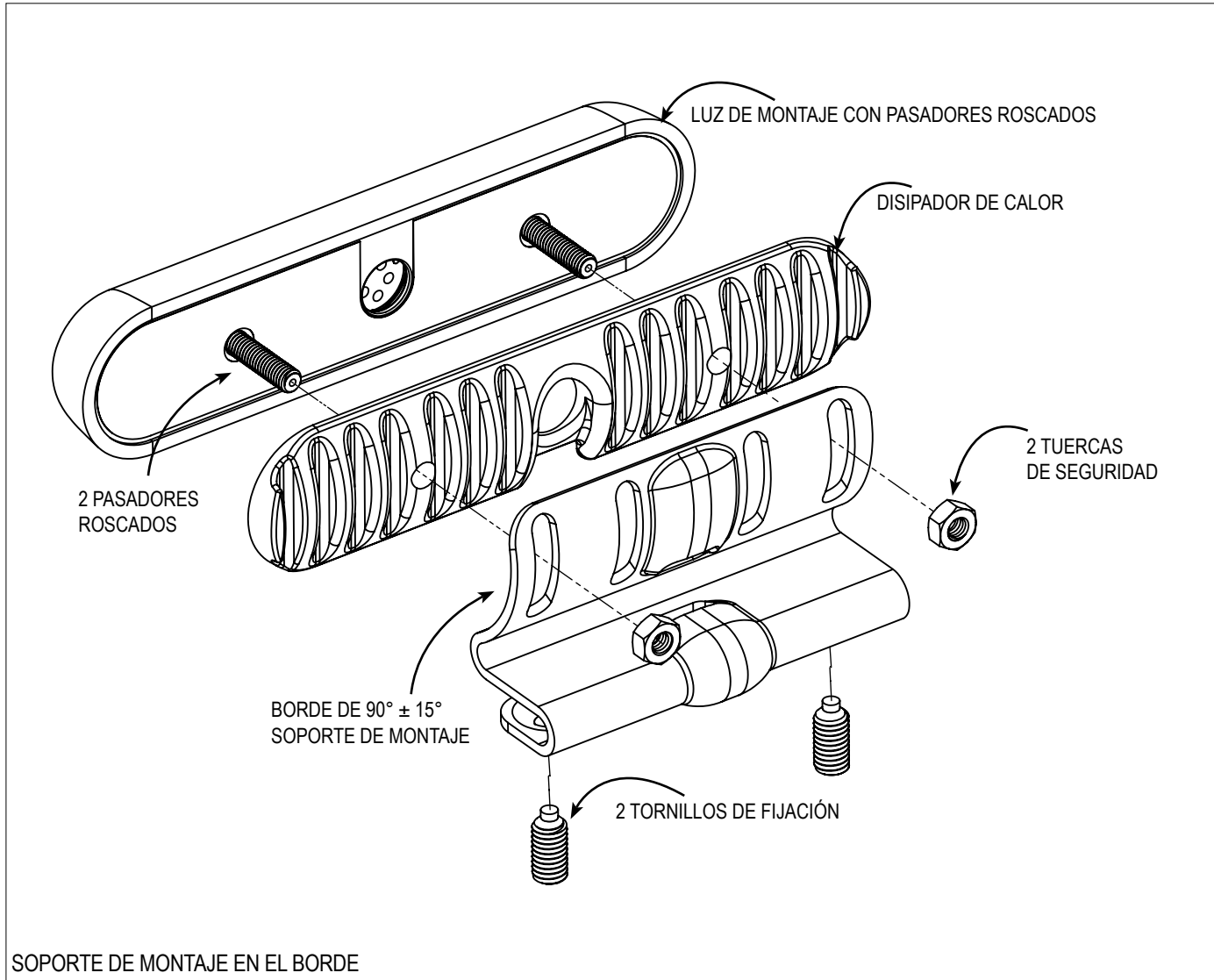
1. Perforar utilizando el patrón de los pasadores de montaje en pagina 11(3") o utilizando el patrón suministrado (4").
2. Elimine las rebabas del orificio según sea necesario.
3. Limpie la superficie según sea necesario.
4. Realice las conexiones de cables y pase el cable a través del orificio perforado para cables.
5. Instale la luz, inserte 2 pasadores en los 2 orificios perforados.
6. Instale 2 tuercas de seguridad en los pasadores por detrás de la superficie de montaje.  
Ajuste a mano solo hasta que la superficie de montaje y la luz estén alineados.

### Montaje rápido (Figura 2)

1. El patrón de preperforación por montaje rápido se indica en la página 10 (4") or página 11 (3"). (Orificio para el cable únicamente).
2. Elimine las rebabas del orificio según sea necesario.
3. Superficie limpia con toallita de alcohol suministrada.
4. Realice la conexión del cable y pase el cable a través del orificio para perforado para el cable.
5. Retire la tira adhesiva de respaldo y alinee con cuidado en la posición deseada. Aplique a la superficie y mantenga firmemente durante 30 segundos. **¡PRECAUCIÓN! APLIQUE PRESIÓN UNIFORME EN TODA LA EXTENSIÓN DE LA LUZ.**

### Montaje con tornillos (Figura 3)

1. El patrón de preperforación por montaje con tornillos se indica en la página 10 (4") or página 11 (3").
2. Elimine las rebabas y limpie la superficie según sea necesario.
3. Realice las conexiones de cables y pase el cable a través del orificio perforado para cables.
4. Instale la luz con 2 tornillos sin fin Torx y ajuste a mano solo hasta que la superficie de montaje y la luz estén alineados.

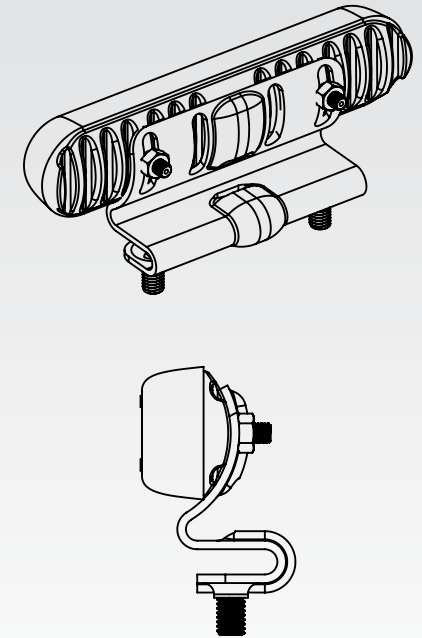


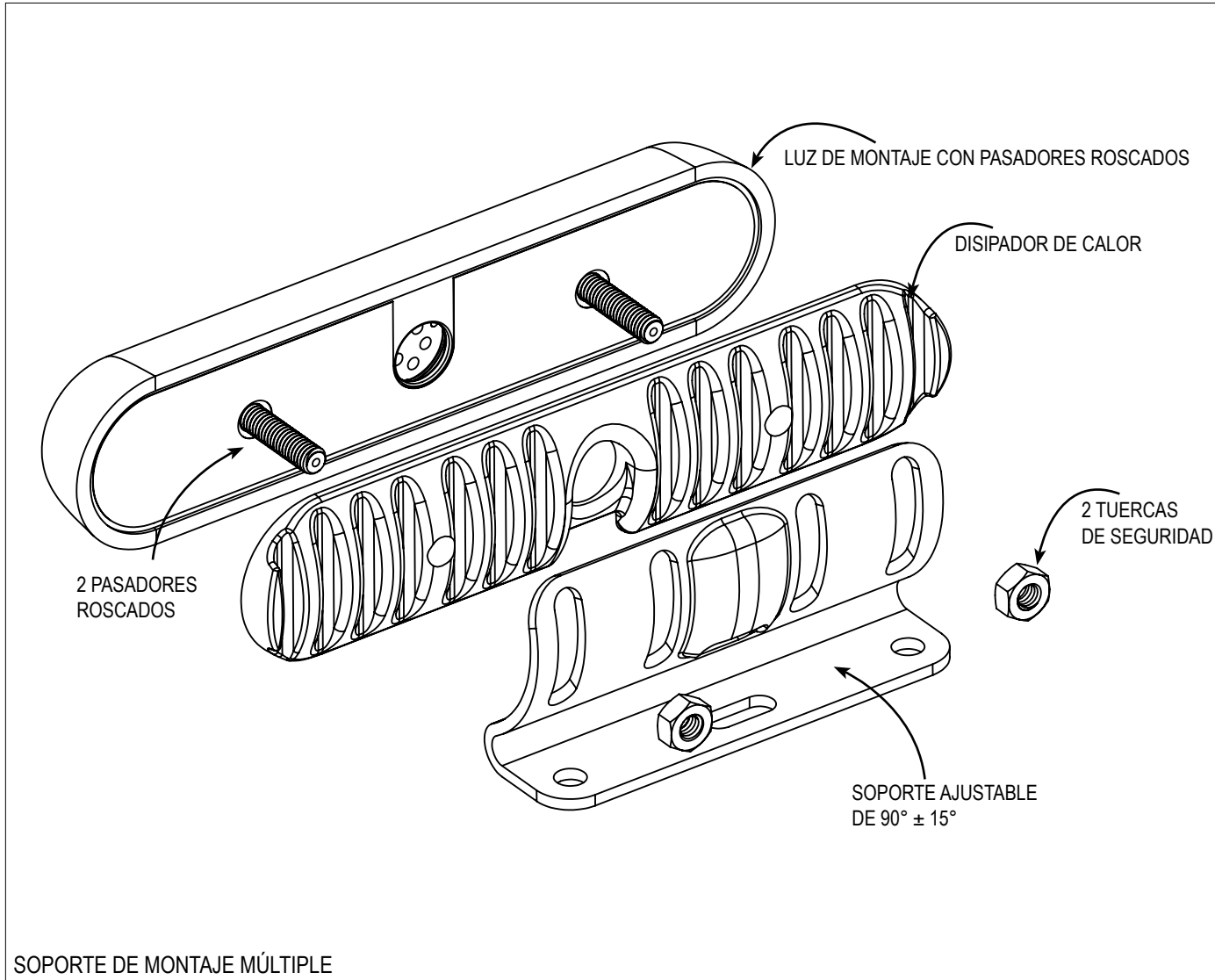
SOPORTE DE MONTAJE EN EL BORDE

## INSTALACIÓN:

### Soporte de montaje en el borde

1. Instale el disipador de calor en la luz "mPOWER Montaje con pasador roscado" según se indica. Pase el cable por el orificio central.
2. Instale el soporte en la luz "mPOWER Montaje con pasador roscado" según se indica. Pase el cable por la descarga trasera hacia la descarga del agarre del borde inferior.
3. Instale 2 tuercas de seguridad en la luz "mPOWER Montaje con pasador roscado". Ajuste a mano hasta el tope.
4. Coloque el soporte sobre la superficie deseada del borde del vehículo (es decir, el capó trasero), asegúrese de que el cable esté completamente asentado en la descarga trasera, envuelto alrededor del borde y en posición plana.
5. Ajuste 2 tornillos de fijación a la superficie del borde del vehículo.
6. Ajuste el ángulo de la luz en la dirección deseada y ajuste 2 tuercas de seguridad hasta que queden fijas.
7. Realice las conexiones de cables.



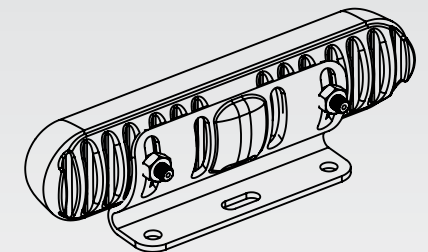


SOPORTE DE MONTAJE MÚLTIPLE

### INSTALACIÓN:

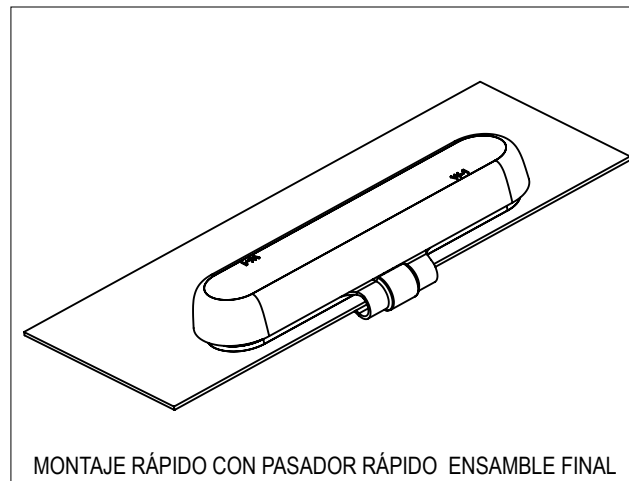
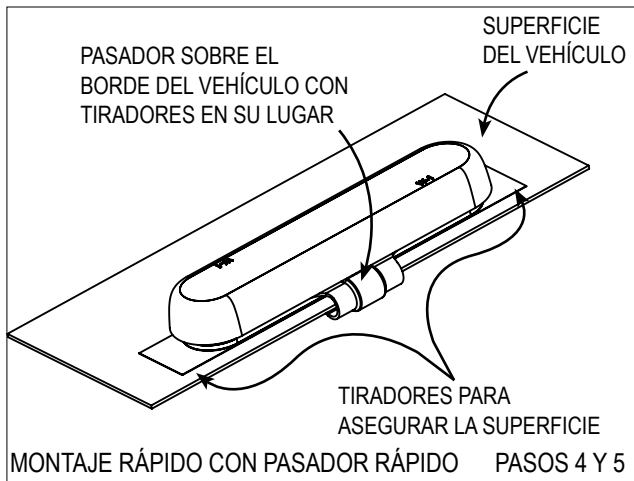
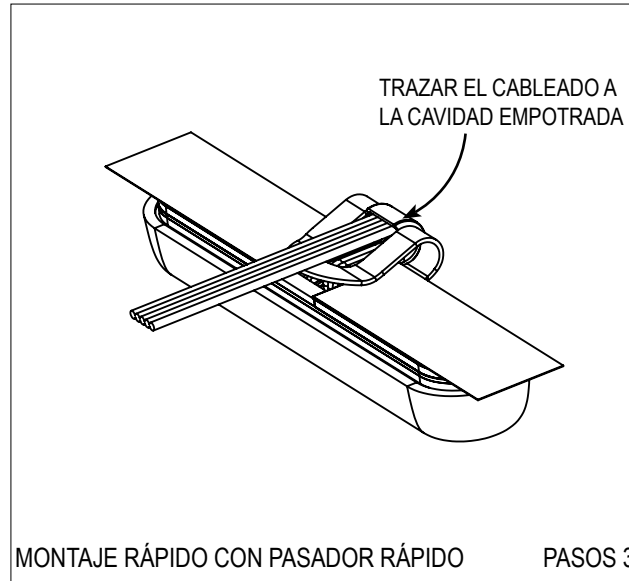
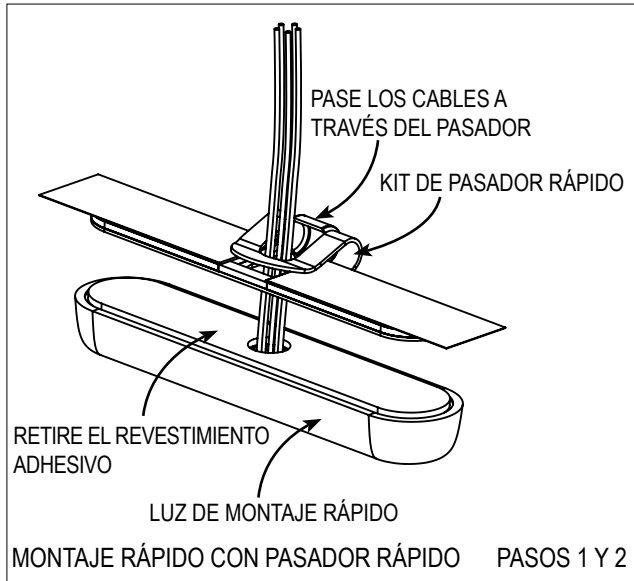
#### Soporte de montaje múltiple

1. Preperfore los orificios de montaje según sea necesario. Los orificios del soporte y el espaciado se indican en la página 10 (4") or página 11 (3").
2. Coloque el soporte sobre la superficie deseada del vehículo y asegúrelo con tornillos (no provistos).
3. Instale el dissipador de calor en la luz "mPOWER Montaje con pasador roscado" según se indica. Pase el cable por el orificio central.
4. Instale la luz "mPOWER Montaje con pasador roscado" sobre el soporte según se indica. El cable pasa por la descarga trasera.
5. Instale 2 tuercas de seguridad en la luz "mPOWER Montaje con pasador roscado" según se indica. Ajuste a mano hasta el tope.
6. Ajuste el ángulo de la luz en la dirección deseada y ajuste 2 tuercas de seguridad hasta que queden fijas.
7. Realice las conexiones de cables.





with Clear Duty® Technology



## INSTALACIÓN:

### Montaje rápido con pasador rápido

1. Superficie de preparación con toallitas con alcohol suministradas.
2. Pase los cables a través del pasador rápido como se muestra.
3. Retire el revestimiento adhesivo sobre la luz e instale la brida en la luz. Asegúrese de alinear los bordes de manera adecuada antes de colocar.
4. Trace el cableado e introdúzcalo de manera plana en la cavidad empotrada.
5. Con los tiradores rojos en el lugar, presione suavemente en el borde de la superficie del vehículo. Tome las precauciones necesarias para que los tiradores rojos **NO SE PELEN, NO SE PLIEGUEN NI SE ARRUGUEN**. Asegúrese de que el cable esté en posición plana y que no esté apretado.
6. Cuando se haya orientado la luz de manera adecuada, presione los tiradores rojo para asegurar la luz a la superficie.
7. Realice las conexiones de cables.



with Clear Duty® Technology

**PROTECCIÓN CONTRA SOBRETENSIÓN**

Cuando se detecte una condición de sobretensión, el módulo emitirá un patrón de advertencia de sobretensión de 50 mS ENCENDIDO/950 mS APAGADO para alertar acerca de la condición de sobretensión y proteger los componentes electrónicos del daño causado por el calor/la tensión.

**PROTECCIÓN POR COMPENSACIÓN TÉRMICA**

El módulo LED está diseñado para proveer una salida de potencia máxima a la vez que provee protección a los componentes electrónicos mediante la reducción de la salida de potencia a temperaturas extremas.

**SYNC2**

La sincronización del parpadeo de múltiples módulos de luces se logra a través de la conexión de los cables verdes de diferentes módulos de luces juntos. Se pueden conectar hasta 24 módulos de luces para un parpadeo sincronizado. Todos los patrones de parpadeo se deben ajustar al mismo n.º de patrón para asegurar un funcionamiento correcto. Consulte la sección Tipo de secuencia en la Tabla de configuraciones (pagina 8) para configurar los módulos de luces de manera que parpadeen en patrones alternativos o simultáneos. NOTA: NO funcionará con productos que no sean Sync2 como Ghost, LED3 e cableado de 4 intersector de color único. FUNCIONARÁ con los productos Sync2 nFORCE luces secundarias, nFORCE FIT y luces de cableado de 5 intersección de color doble.

PATRONES DE PARPADEO			
N.º DE PATRÓN	COLOR ÚNICO	COLOR DOBLE	TRIPLE COLOR
1	QUINT		
2	WARP		
3	INTER-CYCLE		
4	DOUBLE		
5	QUAD		
6	POWER PULSE		
7	ROAD RUNNER		
8	Q-SWITCH		
9	STEADY-BURN/ROADRUNNER (TIPO DE SECUENCIA 1: STEADY BURN, TIPO DE SECUENCIA 2: ROADRUNNER)		
10	STEADY-BURN DRIVER TITLE 13 QUAD (TIPO DE SECUENCIA 1: STEADY BURN, TIPO DE SECUENCIA 2: TITLE 13 QUAD)		
11	QUAD 2		
12	DOUBLE 2		
13		RANDOM 1	
14		RANDOM 2	



1.800.338.7337 / www.soundoffsignal.com

with Clear Duty® Technology

**TABLAS DE FUNCIONES**

Las modificaciones de la tabla de funciones están habilitadas solo cuando el módulo LED se encuentra en modo parpadeo (inhabilitado en las funciones de modo crucero o estable ENCENDIDO). La operación funcional del módulo LED se puede modificar si se aplica el +V al cable rojo con el cable negro conectado a tierra. Cuando la luz está parpadeando, conectar momentáneamente el cable blanco a tierra durante >4 S y <5 S (la luz variará de estable alta a estable baja, a apagada, a estable alta, a estable baja) y desconectar. La tabla de funciones avanzará a la siguiente tabla (tabla 1 a tabla 2, tabla 2 a tabla 3, o tabla 3 a tabla 1). Repita el proceso arriba mencionado hasta que se active la tabla de funciones requerida.

TABLAS DE FUNCIONES 1					
CABLE			LUZ		
ROJO	R/B	BLANCO	SIMPLE	DOBLE	TRIPLE
+9-32 V			PARPADEO	PARPADEO DOBLE	PARPADEO TRIPLE
	+9-32 V		CRUCERO	ESTABLE TRANSP. 2	ESTABLE TRANSP. 3
+9-32 V	+9-32 V		PARPADEO	ESTABLE TRANSP. 2	ESTABLE TRANSP. 3
		+9-32 V	NO OP	NO OP	NO OP
+9-32 V		+9-32 V	PARPADEO DE POTENCIA BAJA	PARPADEO TRANSP. 1	PARPADEO TRANSP. 1
	+9-32 V	+9-32 V	CRUCERO	PARPADEO TRANSP. 2	PARPADEO TRANSP. 2
+9-32 V	+9-32 V	+9-32 V	PARPADEO DE POTENCIA BAJA	PARPADEO TRANSP. 1 Y 2	PARPADEO TRANSP. 3

TABLAS DE FUNCIONES 2					
CABLE			LUZ		
ROJO	R/B	BLANCO	SIMPLE	DOBLE	TRIPLE
+9-32 V			PARPADEO	PARPADEO TRANSP. 1	PARPADEO DOBLE
+9-32 V		+9-32 V	CRUCERO	PARPADEO DOBLE	PARPADEO TRIPLE
	+9-32 V		ESTABLE TRANSP. 1	ESTABLE TRANSP. 2	ESTABLE TRANSP. 3
	+9-32 V	+9-32 V	ESTABLE TRANSP. 1	ESTABLE TRANSP. 2	ESTABLE TRANSP. 3
+9-32 V	+9-32 V	+9-32 V	ESTABLE TRANSP. 1	ESTABLE TRANSP. 2	ESTABLE TRANSP. 3
		+9-32 V	SIN FUNC.	SIN FUNC.	SIN FUNC.
+9-32 V	+9-32 V		ESTABLE TRANSP. 1	ESTABLE TRANSP. 2	ESTABLE TRANSP. 3

TABLAS DE FUNCIONES 3					
CABLE			LUZ		
ROJO	R/B	BLANCO	SIMPLE	DOBLE	TRIPLE
+9-32 V			PARPADEO	PARPADEO DOBLE	PARPADEO TRIPLE
	+9-32 V		PARPADEO DE POTENCIA BAJA	PARPADEO DOBLE, POTENCIA BAJA	PARPADEO TRIPLE, POTENCIA BAJA
+9-32 V	+9-32 V		PARPADEO DE POTENCIA BAJA	PARPADEO DOBLE, POTENCIA BAJA	PARPADEO TRIPLE, POTENCIA BAJA
		+9-32 V	NO OP	NO OP	NO OP
+9-32 V		+9-32 V	PARPADEO DE POTENCIA BAJA	PARPADEO DOBLE, POTENCIA BAJA	PARPADEO TRIPLE, POTENCIA BAJA
	+9-32 V	+9-32 V	PARPADEO DE POTENCIA BAJA	PARPADEO DOBLE, POTENCIA BAJA	PARPADEO TRIPLE, POTENCIA BAJA
+9-32 V	+9-32 V	+9-32 V	PARPADEO DE POTENCIA BAJA	PARPADEO DOBLE, POTENCIA BAJA	PARPADEO TRIPLE, POTENCIA BAJA

with Clear Duty® Technology

### CAMBIO DE COLORES

Esta función es válida únicamente para módulos de luces dobles y triples y se puede modificar únicamente cuando el módulo de luces se encuentra en modo parpadeo (inhabilitado para módulos de color único y cuando el módulo de luces opera en funciones de modo crucero o estable ENCENDIDO). Cuando la luz esté parpadeando, conectar momentáneamente el cable blanco a tierra durante >2 S y <3 S (la luz variará de estable alta a estable baja, a apagada) y desconectar. El módulo de luces cambiará entre Cambio de colores APAGADO y Cambio de colores ENCENDIDO. Cuando el Cambio de colores esté APAGADO, el 1° color parpadeará primero en un patrón de color doble/triple. Cuando el Cambio de colores esté ENCENDIDO, el 2° color parpadeará primero en un patrón de color doble/triple.

### FUNCIÓN SIMULTÁNEA/ALTERNATIVA

Esta función se puede modificar únicamente cuando el módulo LED se encuentra en un modo de parpadeo (está inhabilitada en funciones de modo crucero o estable ENCENDIDO) y solo tiene efecto cuando al menos 2 módulos LED tienen los cables de sincronización verde conectados juntos. Cuando la luz esté parpadeando, conectar momentáneamente el cable blanco a tierra durante >3 S y <4 S (la luz variará de estable alta a estable baja, a apagada, a estable alta) y desconectar. El módulo de luces variará entre Simultánea y Alternativa cada vez que se realice esta secuencia. Para que los módulos de luces parpaddeen simultáneamente, ambos módulos de luces deben estar ajustados al mismo tipo de secuencia (Tabla de configuraciones). Para que los módulos de luces parpaddeen de manera alternativa, los módulos de luces deben estar ajustados a diferentes tipos de secuencias (Tabla de configuraciones).

### PATRÓN DE AVANCE

El patrón de parpadeo se puede modificar únicamente cuando el módulo LED se encuentra en modo parpadeo (inhabilitado en las funciones de modo crucero o estable ENCENDIDO). Cuando la luz esté parpadeando, conectar momentáneamente el cable blanco a tierra durante >250 mS y <1 mS (la luz será estable alta) y desconectar. El patrón de parpadeo avanzará al siguiente patrón. Si el módulo de luces se encontraba en el último patrón, el patrón se reiniciará al 1° patrón.

### PATRÓN DE RESPALDO

Esta función es válida únicamente cuando el módulo LED se encuentra en modo parpadeo (inhabilitado en las funciones de modo crucero o estable ENCENDIDO). Cuando la luz esté parpadeando, conectar momentáneamente el cable blanco a tierra durante >1 S y <2 S (la luz variará de estable alta a estable baja) y desconectar. El patrón de parpadeo regresará al patrón anterior. Si el módulo de luces se encontraba en el primer patrón, el patrón cambiará al último patrón en la lista.

### RESTABLECIMIENTO DEL PATRÓN

Esta función es válida únicamente cuando el módulo LED se encuentra en modo parpadeo (inhabilitado en las funciones de modo crucero o estable ENCENDIDO). Cuando la luz está parpadeando, conectar momentáneamente el cable blanco a tierra durante >5 S y <6 S (la luz variará de estable alta a estable baja, a apagada, a estable alta, a estable baja, a apagada) y desconectar. El patrón de parpadeo regresará al primer patrón en la lista.

### RESTABLECIMIENTO DE FÁBRICA

Esta función es válida únicamente cuando el módulo LED se encuentra en modo parpadeo (inhabilitado en las funciones de modo crucero o estable ENCENDIDO). Cuando la luz esté parpadeando, conectar momentáneamente el cable blanco a tierra durante >6 S y <7 S (la luz variará de estable alta a estable baja, a apagada, a estable alta, a estable baja, a apagada, a estable alta) y desconectar. El módulo LED se restablecerá a: Patrón=1, Tabla de funciones= 1, Cambio de colores= APAGADO, Simultánea.

TABLA DE CONFIGURACIONES			
SEGUNDOS		INTERFAZ DEL USUARIO	
DE	A	INDICACIÓN VISUAL	ACCIÓN REALIZADA
0	1	ESTABLE ALTA (60 %)	AVANZAR UN PATRÓN
1	2	ESTABLE BAJA (30 %)	RETROCEDER UN PATRÓN
2	3	APAGADO	CAMBIO DE COLORES (APAGADO O ENCENDIDO)
3	4	ESTABLE ALTA (60 %)	TIPO DE SECUENCIA: SIMULTÁNEA O ALTERNATIVA
4	5	ESTABLE BAJA (30 %)	VER TABLA DE FUNCIONES
5	6	APAGADO	RESTABLECER AL PATRÓN 1
6	7	ESTABLE ALTA (60 %)	RESTABLECIMIENTO DE FÁBRICA (PATRÓN 1, CAMBIO DE COLORES: APAGADO, SIMULTÁNEA) CONTROL DE COLOR SEPARADO: APAGADO
Si se mantiene por más de 7 segundos, la luz volverá a parpadear en el patrón actual y no se realizará ninguna acción.			



with Clear Duty® Technology

**MODO REMOTO: PARA UTILIZAR CON EL SISTEMA bluePRINT ÚNICAMENTE**

La conexión del cable verde a tierra antes de aplicar potencia a los cables rojos o rojos/blancos colocará al módulo LED en modo remoto y el color de generación de luz será controlado directamente por los cables de entrada como se muestra a continuación.

Para el control en Modo crucero o Potencia baja del módulo LED, la señal a los cables de control debe ser de 100 +/- 2 Hz con el uso de las entradas del ciclo de funcionamiento enumeradas a continuación para producir la generación de luz.

Funcionalidad del Modo remoto de la luz LED secundaria mpower®							
Cable rojo	Cable rojo/blanco	Color único		Color doble		Triple color	
		Cambio de colores= APAGADO	Cambio de colores= ENCENDIDO	Cambio de colores= APAGADO	Cambio de colores= ENCENDIDO	Cambio de colores= APAGADO	Cambio de colores= ENCENDIDO
Modo crucero	-	Color Modo crucero 1		Color Modo crucero 1	Color Modo crucero 2	Color Modo crucero 1	Color Modo crucero 2
-	Modo crucero			Color Modo crucero 2	Color Modo crucero 1	Color Modo crucero 2	Color Modo crucero 1
Modo crucero	Modo crucero			Color Modo crucero 2	Color Modo crucero 1	Color Modo crucero 3	Color Modo crucero 3
Parpadeo	-	Color de Parpadeo 1		Color de Parpadeo 1	Color de Parpadeo 2	Color de Parpadeo 1	Color de Parpadeo 2
-	Parpadeo			Color de Parpadeo 2	Color de Parpadeo 1	Color de Parpadeo 2	Color de Parpadeo 1
Parpadeo	Parpadeo			Color de Parpadeo 2	Color de Parpadeo 1	Color de Parpadeo 3	Color de Parpadeo 3
Estable ENCENDIDO	-	Color de Estable ENCENDIDO 1		Color de Estable ENCENDIDO 1	Color de Estable ENCENDIDO 2	Color de Estable ENCENDIDO 1	Color de Estable ENCENDIDO 2
-	Estable ENCENDIDO			Color de Estable ENCENDIDO 2	Color de Estable ENCENDIDO 1	Color de Estable ENCENDIDO 2	Color de Estable ENCENDIDO 1
Estable ENCENDIDO	Estable ENCENDIDO			Color de Estable ENCENDIDO 2	Color de Estable ENCENDIDO 1	Color de Estable ENCENDIDO 3	Color de Estable ENCENDIDO 3
Modo crucero	Parpadeo			Color de Parpadeo 1/ Color Modo crucero 1 durante el ciclo APAGADO de Parpadeo	Color de Parpadeo 2/ Color Modo crucero 2 durante el ciclo APAGADO de Parpadeo		
Modo crucero	Estable ENCENDIDO			Color de Estable ENCENDIDO 2	Color de Estable ENCENDIDO 1		
Parpadeo	Estable ENCENDIDO			Color de Estable ENCENDIDO 2	Color de Estable ENCENDIDO 1		

Ciclo de funcionamiento de Modo crucero (a 100 Hz)	
Entrada	Potencia de luz
40 %	APAGADO
50 %	5 %
60 %	10 %

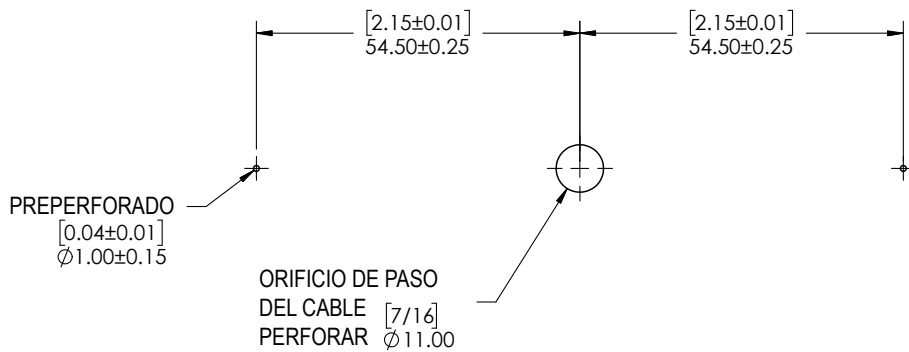
Parpadeo de CC de potencia baja (a 100 Hz)	
Entrada	Potencia de luz
70 %	30 %
80 %	40 %
90 %	50 %



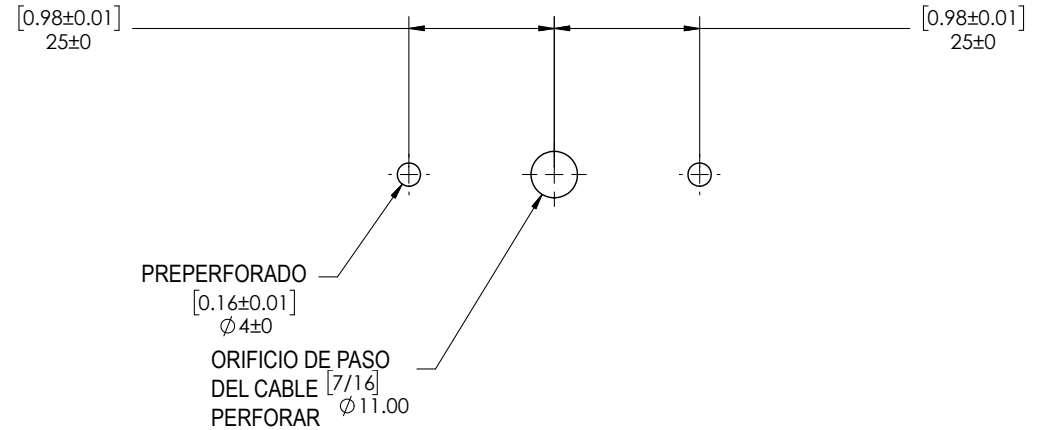
1.800.338.7337 / www.soundoffsignal.com

## LUCES SUPERFICIALES - 10.16cm

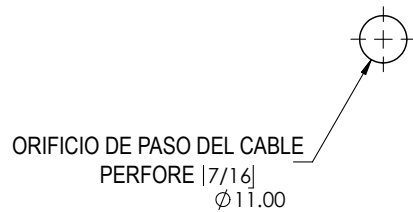
PATRÓN DE ORIFICIO DE MONTAJE CON TORNILLOS



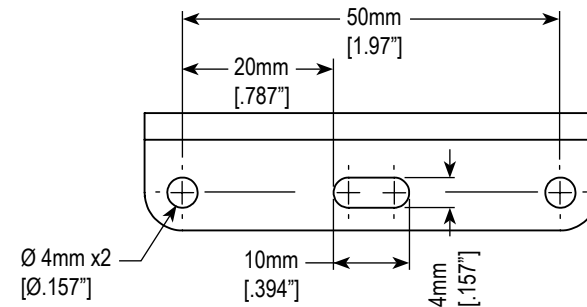
PLANTILLA ROSCADA DE MONTAJE CON TORNILLOS



PATRÓN DE ORIFICIO DE MONTAJE RÁPIDO



SOPORTE DE MONTAJE MÚLTIPLE

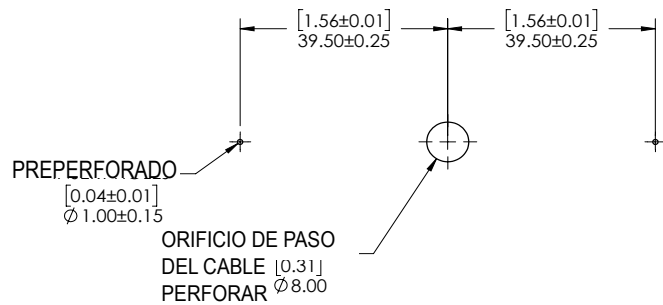


**NOTA IMPORTANTE:**

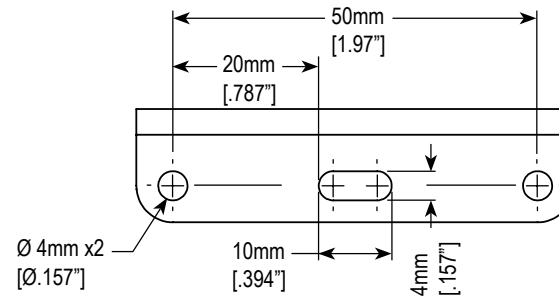
Debido a las variaciones en el proceso de impresión y a factores ambientales, los tamaños mostrados podrían ser imprecisos. Si este documento se utiliza como patrón de corte, es responsabilidad de los instaladores confirmar la precisión de las dimensiones mostradas y ajustarlas de manera correspondiente.

## LUCES SUPERFICIALES - 7.62cm

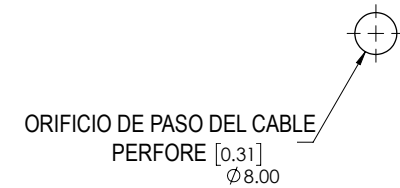
PATRÓN DE ORIFICIO DE MONTAJE CON TORNILLOS



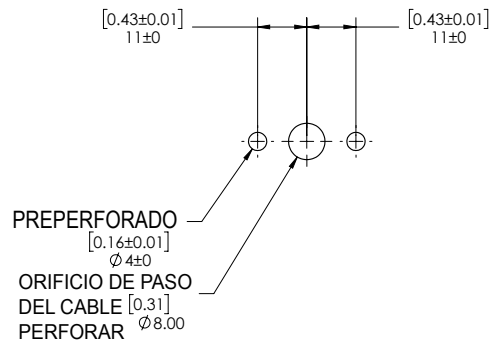
SOPORTE DE MONTAJE MÚLTIPLE



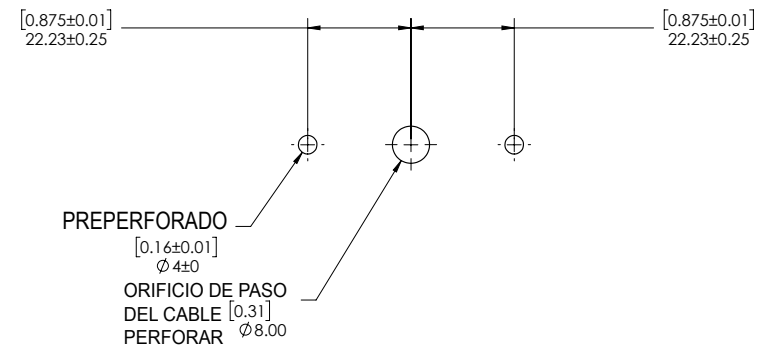
PATRÓN DE ORIFICIO DE MONTAJE RÁPIDO



FORD GRILLE MONTAJE



MONTAJE DE PERNO



**NOTA IMPORTANTE:**

Debido a las variaciones en el proceso de impresión y a factores ambientales, los tamaños mostrados podrían ser imprecisos. Si este documento se utiliza como patrón de corte, es responsabilidad de los instaladores confirmar la precisión de las dimensiones mostradas y ajustarlas de manera correspondiente.