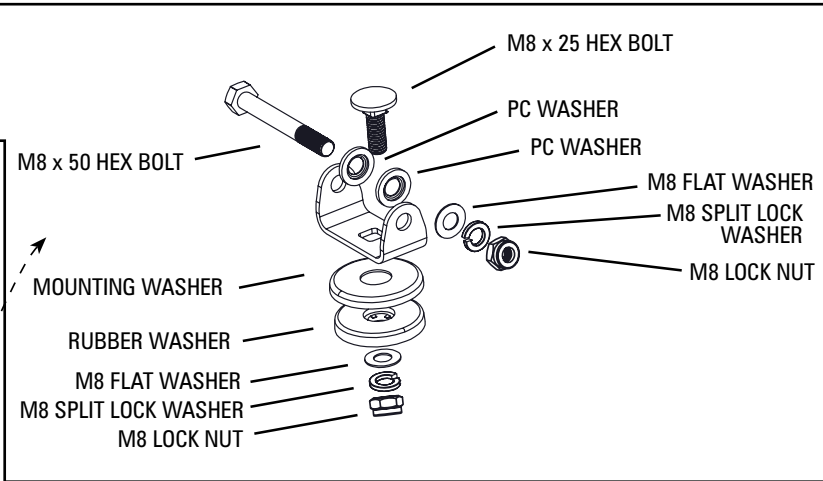
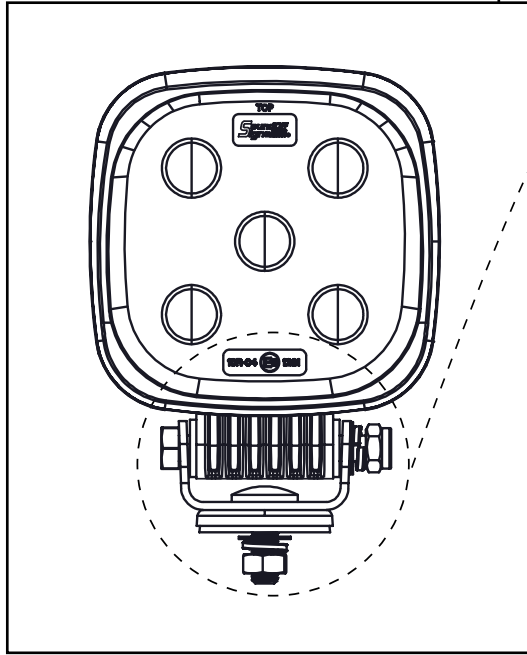


# 900 LUMEN 5 LED WORKLIGHT 4.3" SQUARE WITH U-BRACKET EWL5SBD50W- Spot Pattern



**⚠ WARNING**  
This product contains high intensity LED devices.  
To prevent eye damage, DO NOT stare into the  
light beam at close range.

## ⚠ WARNING

- HIGH CURRENT interconnects must be properly terminated. Poor crimp quality can cause heat build-up and fire. Follow crimp connector manufacturer instructions.
- DO NOT install this product or route any wires in the Air Bag Deployment Zone. Refer to vehicle Owner's Manual for deployment zones.
- Do NOT use system to disconnect headlights, brake lights or other safety equipment.
- Unit may become hot to touch during normal operation.
- Failure to properly install connectors, fuses or wiring may cause vehicle failure or fire.
- Installation must only be performed by trained technician. Installer must determine vehicle wiring configuration and proper integration of system.
- Use proper wire gauge. All power wires connecting to positive (+) or negative (-) battery terminal or local chassis ground (-) must be sized to supply at least 125% of max. current and properly fused at power source.
- Install protective grommets when routing wire through firewall or metal.

### NOTICE:

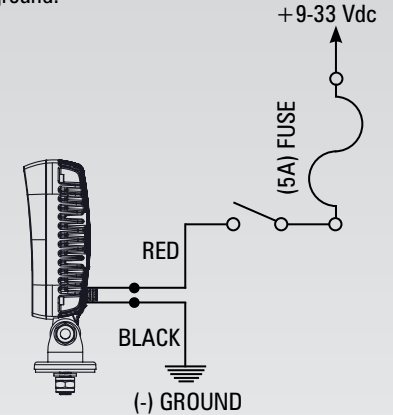
Installers and users must comply with all applicable federal, state and local laws regarding use and installation of warning devices.

*Improper use or installation may void warranty coverage.*

To review our Limited Warranty Statement & Return Policy for this or any SoundOff Signal product, visit our website at [www.soundoffsignal.com/tech-services/returns/](http://www.soundoffsignal.com/tech-services/returns/). If you have questions regarding this product, contact **Technical Services**, Monday - Friday, 8 a.m. to 5 p.m. or after hours 5 p.m. to 8 p.m. ET at 1.800.338.7337 (press #4). Questions or comments that do not require immediate attention may be emailed to [techservices@soundoffsignal.com](mailto:techservices@soundoffsignal.com).

## ELECTRICAL CONNECTIONS

See diagram below for required electrical connections. Connect the RED wire to +9-33 Vdc through a customer supplied 5A fuse and switch. Connect the BLACK wire to a reliable ground.



## MECHANICAL ATTACHMENT

Assemble Mounting bracket as shown in the diagram to the left. All bolts should be torqued to a maximum of 25 in-lbs.

### TECHNICAL SPECIFICATIONS

Overall Dimensions:	4.3"H x 4.3"W x 1.8"D
Input Voltage Range:	10-30 Vdc
Current Draw:	0.97 Amps @ 13.5 Vdc, 0.47 Amps @ 28.0 Vdc
Wattage:	15 Watts
Reverse Polarity:	Protected
Load Dump:	Protected
Operating Temperature:	-40° to +65° C
Optical Distribution:	Spot
Color Temperature:	6500K
Number of LEDs:	5

**SoundOff  
Signal**

1.800.338.7337 / [www.soundoffsignal.com](http://www.soundoffsignal.com)