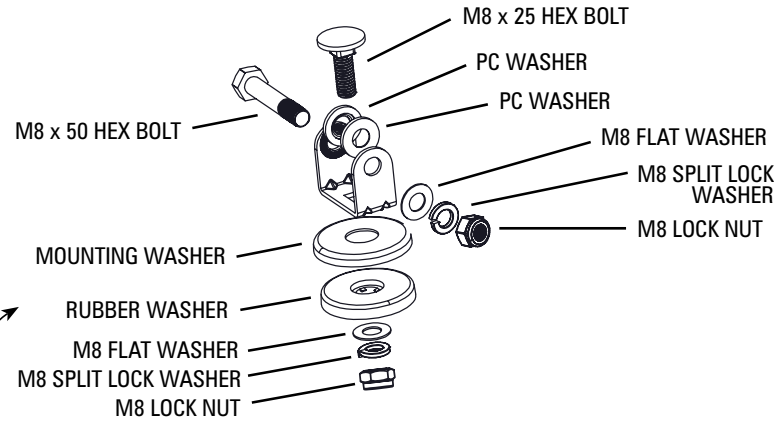
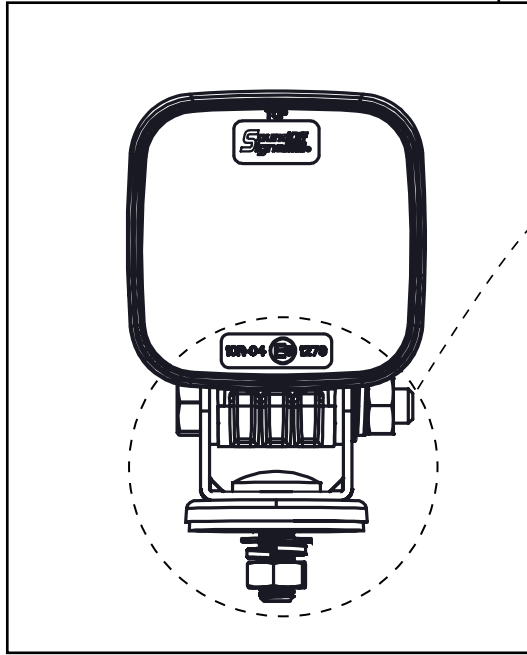


700 LUMEN 4 LED WORKLIGHT 2.8" SQUARE WITH U-BRACKET EWL4SBDFOW - Flood Pattern



⚠ WARNING
This product contains high intensity LED devices.
To prevent eye damage, DO NOT stare into the
light beam at close range.

⚠ WARNING

- HIGH CURRENT interconnects must be properly terminated. Poor crimp quality can cause heat build-up and fire. Follow crimp connector manufacturer instructions.
- DO NOT install this product or route any wires in the Air Bag Deployment Zone. Refer to vehicle Owner's Manual for deployment zones.
- Do NOT use system to disconnect headlights, brake lights or other safety equipment.
- Unit may become hot to touch during normal operation.
- Failure to properly install connectors, fuses or wiring may cause vehicle failure or fire.
- Installation must only be performed by trained technician. Installer must determine vehicle wiring configuration and proper integration of system.
- Use proper wire gauge. All power wires connecting to positive (+) or negative (-) battery terminal or local chassis ground (-) must be sized to supply at least 125% of max. current and properly fused at power source.
- Install protective grommets when routing wire through firewall or metal.

NOTICE:

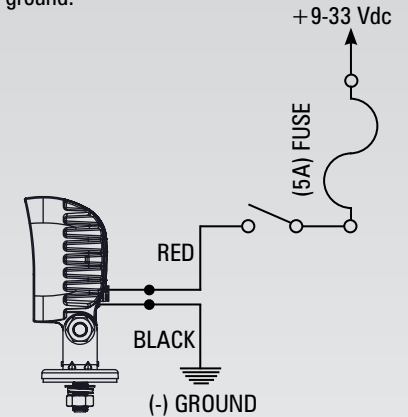
Installers and users must comply with all applicable federal, state and local laws regarding use and installation of warning devices.

Improper use or installation may void warranty coverage.

To review our Limited Warranty Statement & Return Policy for this or any SoundOff Signal product, visit our website at www.soundoffsignal.com/tech-services/returns/. If you have questions regarding this product, contact **Technical Services**, Monday - Friday, 8 a.m. to 5 p.m. or after hours 5 p.m. to 8 p.m. ET at 1.800.338.7337 (press #4). Questions or comments that do not require immediate attention may be emailed to techservices@soundoffsignal.com.

ELECTRICAL CONNECTIONS

See diagram below for required electrical connections. Connect the RED wire to +9-33 Vdc through a customer supplied 5A fuse and switch. Connect the BLACK wire to a reliable ground.



MECHANICAL ATTACHMENT

Assemble Mounting bracket as shown in the diagram to the left. All bolts should be torqued to a maximum of 25 in-lbs.

TECHNICAL SPECIFICATIONS

Overall Dimensions:	2.8"H x 2.8"W x 1.8"D
Input Voltage Range:	10-30 Vdc
Current Draw:	0.6 Amps @ 13.5 Vdc, 0.3 Amps @ 28.0 Vdc
Wattage:	10 Watts
Reverse Polarity:	Protected
Load Dump:	Protected
Operating Temperature:	-40° to +65° C
Optical Distribution:	Flood
Color Temperature:	6400K
Number of LEDs:	4

**SoundOff
Signal**

1.800.338.7337 / www.soundoffsignal.com