

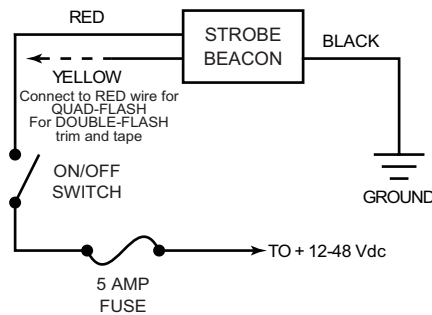


3900 Central Parkway
Hudsonville, MI 49426
toll free 800.338.7337
office 616.896.7100
techsupport@soundoffsignal.com
www.soundoffsignal.com

⚠ WARNING! High Voltage
3000 Series Beacon
Wait 10 minutes after shutting off
before starting any work on this unit.

**FOR REPLACEMENT OF BEACONS
USING TOGGLE BOLTS AND TWO
5/8" HOLES SPACED 3-1/2" APART**

1. Remove old beacon.
2. Remove wires noting which is ground (black) and which is power (red).
3. Remove toggle bolts (or threaded rod), washers and toggle wings securing mounting plate in place and set aside for later use.
4. Thread wires from vehicle through center holes in rubber gasket and mounting plate. Align rubber gasket and mounting plate with 5/8" holes and install using toggle bolts, washers and toggle wings. Note: if threaded rod was used this should be replaced with a bolt of the correct dimensions. Bolts should not be overtightened. 4 holes are provided for correct alignment of beacon but only 2 will be used.
5. Place foam gasket over mounting plate using threaded studs for alignment.
6. Make wiring connections (red-ground, black-power) and determine if double-flash or quad-flash is desired. See diagram at right. For QUAD-FLASH make 'T' connection of yellow wire into red wire; for DOUBLE-FLASH trim and tape end of yellow wire.
7. Install beacon using screws and lock washers supplied. Make sure that threaded nuts on plate align with holes in beacon. DO NOT OVERTIGHTEN SCREWS as damage to the beacon base may occur.



**INSTALLATION OF 3000 BEACON
USING ADAPTOR PLATE**

