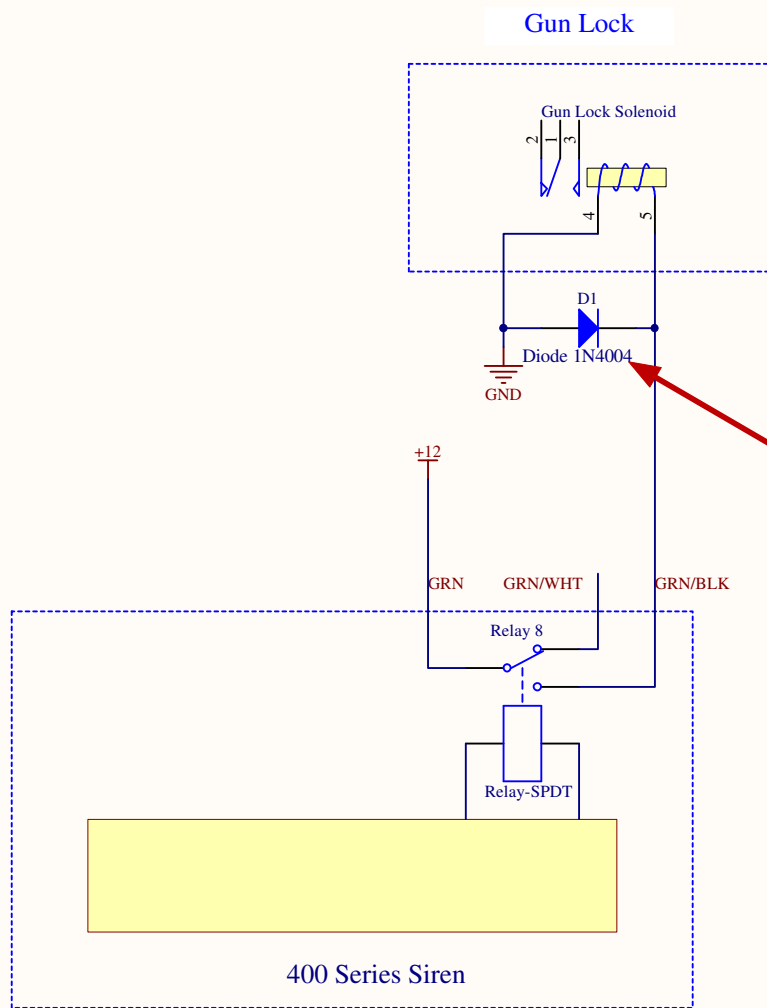


# 400 Series Siren Gun Lock Solenoid Voltage Spike Suppression Circuit

This setup diagram was created to suppress negative voltage spikes that are generated by the gun lock solenoid without a suppression diode.  
(note: voltage spikes can be greater than -300V)



**Important: Place suppression diode less than 6" from Gun Lock for proper suppression**