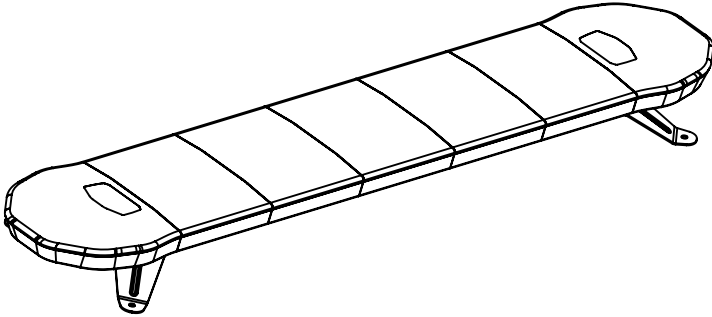


2x SERIES

2x Series Lightbar (with 3 or 4 Wires and Black Tops)



IMPORTANT NOTICE TO INSTALLER: Make sure to read and understand all instructions and warnings before proceeding with the installation of this product. Ensure that the manual and any warning cards are delivered to the end user of this equipment. Proper installation of the lightbar requires the installer to have a thorough knowledge of automotive electronics, systems, and procedures. Lightbars provide an essential function of an effective visual warning system. The use of the lightbar does not ensure that all drivers can or will abide by or react to an emergency warning signal, especially at high rates of speeds or long distances. The operator of the vehicle must never take the right of way for granted and it is the operator's responsibility to proceed safely. The effectiveness of the lightbar is highly dependant on the correct mounting and wiring. The installer must read and follow the manufacturer's installation instructions and warnings in the manual. The vehicle operator should verify daily that the lightbar is securely fastened to the vehicle and properly functioning before operating vehicle. The lightbar is intended for use by authorized personnel only. It is the user's responsibility to ensure they understand and operate the emergency warning devices in compliance with the applicable local, state and federal laws and regulations. SoundOff Signal assumes no liability for any loss resulting from the use of this warning device.

Components/Contents

Standard Equipment:

- 1 - 2X Series Lightbar, with 3 or 4 wires and black tops
- 2 - Mounting Foot with hardware

**Vehicle specific hook kit not included

Unpack Lightbar

1. Remove the lightbar from box and packaging.
2. Save packaging for later shipping.
3. Check components/contents.
4. Please reference these instructions for proper wiring and installation.

Tools Required for Installation

- 13mm Socket with ratchet
- 13mm Wrench
- Phillips Head screwdriver



1.616.662.6199 / www.soundoffcvp.com

NOTICE:

Installers and users must comply with all applicable federal, state and local laws regarding use and installation of warning devices.

Improper use or installation may void warranty coverage. To review our Limited Warranty Statement & Return Policy for this or any SoundOff Signal product, visit our website at www.soundoffcvp.com/sales-support. If you have questions regarding this product, contact Customer Service, Monday - Friday, 8 a.m. to 5 p.m. EST at 1.616.662.6199.

Questions or comments that do not require immediate attention may be emailed to orders@soundoffcvp.com.

TABLE OF CONTENTS

PAGE	CONTENT
1	COMPONENTS/CONTENTS
2	POWER/TECHNICAL SPECIFICATIONS
3	MOUNTING
4	INPUT WIRE DEFINITIONS & FLASH PATTERN/ TAKEDOWN/WORK LIGHT CONFIGURATION
5	LIGHT MODULE REPLACEMENT & TROUBLESHOOTING
6	WARRANTY AND RETURN GOODS PROCEDURE

Important Information:

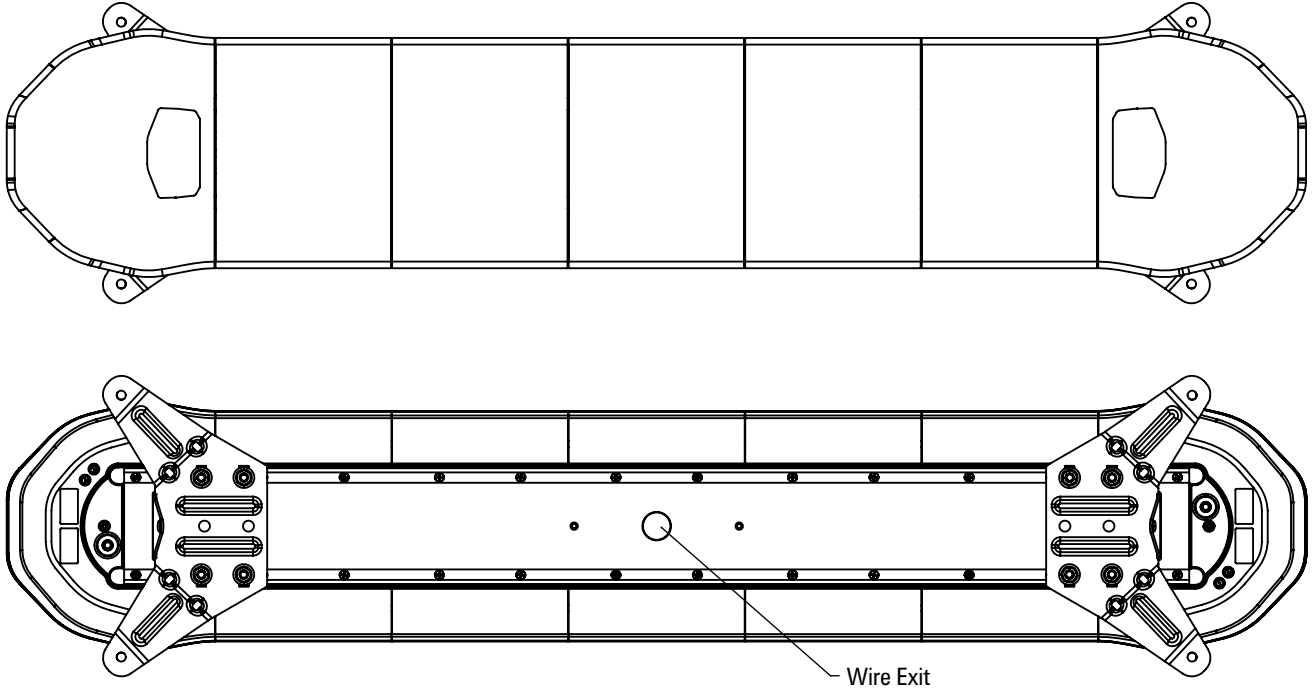
- Warning devices are strictly regulated and governed by Federal, State and Municipal ordinances. These devices shall be used ONLY on approved vehicles. It is the sole responsibility of the user of these devices to ensure compliance.
- DO NOT install this product or route any wires in the Air Bag Deployment Zone. Refer to your vehicle Owner's Manual for the location of any air bag deployment zones.
- DO NOT connect this device to a strobe power supply. This product is self-contained and does not require an external power supply.

! WARNING

This product contains high intensity LED devices. To prevent eye damage, DO NOT stare into the light beam at close range.

2x SERIES

2x Series Lightbar (with 3 or 4 Wires and Black Tops)



POWER SPECIFICATIONS	
Input Voltage Range:	10 -30 Vdc
Reverse Polarity	Protected
Load Dump	Protected
Wiring	Power & Control Cable - 0.5m 18 AWG
Number of LEDs and Max Current Draw @ 12.8Vdc	27"/0.54m: 56 LEDs, 2.8 Amps Max 28"/0.70m: 72 LEDs, 3.6 Amps Max 34"/0.86m: 88 LEDs, 4.4 Amps Max 40"/1.02m: 104 LEDs, 5.2 Amps Max 47"/1.18m: 120 LEDs, 6.0 Amps Max 53"/1.34m: 136 LEDs, 6.8 Amps Max 59"/1.50m: 152 LEDs, 7.6 Amps Max
Number of LEDs and Max Wattage @ 12.8 Vdc (All Lights Flashing)	27"/0.54m: 56 LEDs, 18 Watts Max 28"/0.70m: 72 LEDs, 23 Watts Max 34"/0.86m: 88 LEDs, 28 Watts Max 40"/1.02m: 104 LEDs, 33 Watts Max 47"/1.18m: 120 LEDs, 38 Watts Max 53"/1.34m: 136 LEDs, 44 Watts Max 59"/1.50m: 152 LEDs, 49 Watts Max

TECHNICAL SPECIFICATIONS	
Top Cover Material:	UV Resistant Polycarbonate (PC)
Lens Material:	UV Resistant Polycarbonate (PC)
Frame Material:	Extruded Aluminum
Roof Attachments:	Bracket Mount
Operating Temp:	-40° to +65° C
LENGTH	# OF INBOARD SECTIONS
27"/0.54m	1
28"/0.70m	2
34"/0.86m	3
40"/1.02m	4
47"/1.18m	5
53"/1.34m	6
59"/1.50m	7

2x SERIES

2x Series Lightbar (with 3 or 4 Wires and Black Tops)

MOUNTING

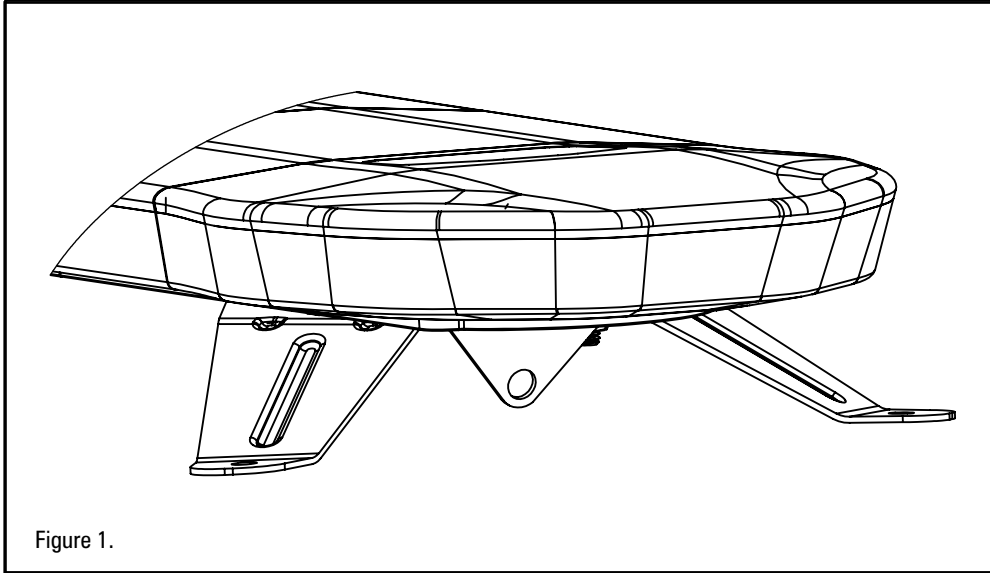


Figure 1.

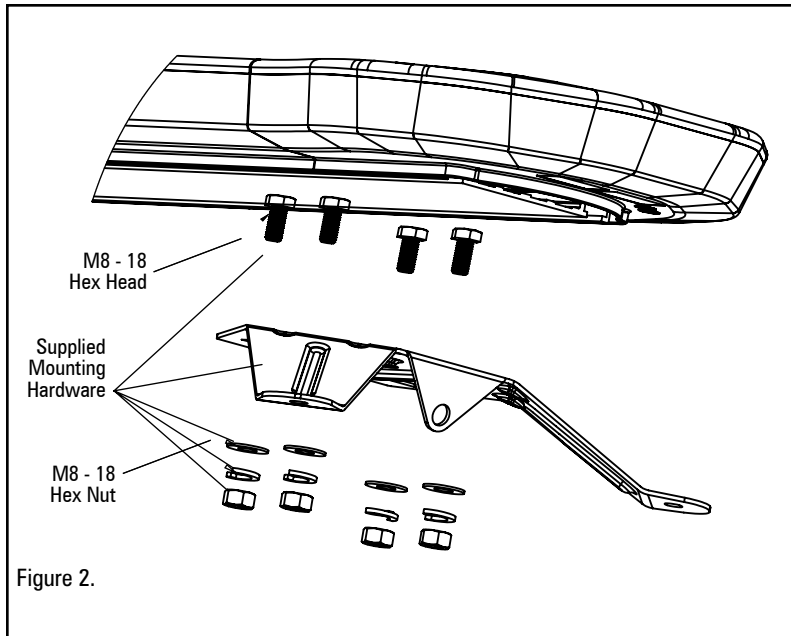


Figure 2.

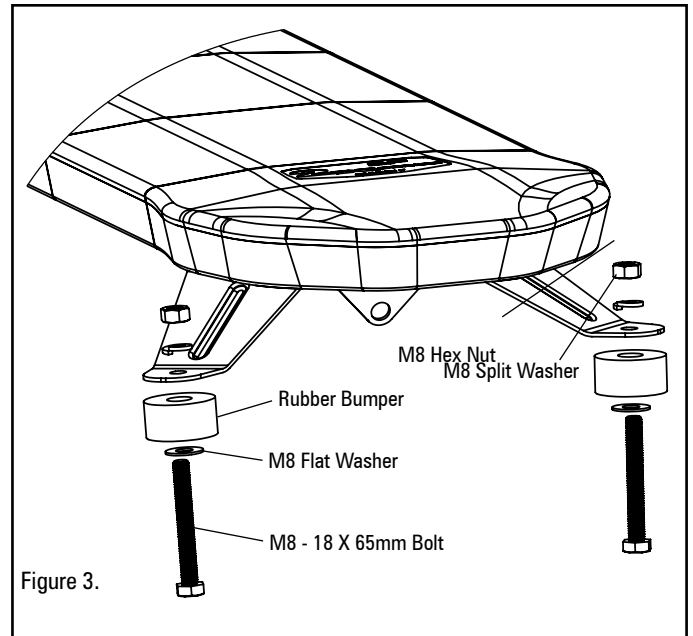


Figure 3.

⚠ WARNING

Route wires only in locations that are not subjected to potential wear. Make sure to avoid routing wires in the deployment area of your air bag. Refer to your vehicle's owner's manual for airbag deployment zone.

2x SERIES

2x Series Lightbar (with 3 or 4 Wires and Black Tops)

Power Cable:

1. Route lightbar power cables as close to vehicles power source (battery) as possible.
2. Connect the 18AWG BLACK wire to the factory chassis ground right next to the battery.
3. Install a maximum of 15Amp Fuse (customer supplied) to the end of the RED wire of the Lightbar Power Cable.
 - a. Remove the fuse before connecting any wires to the battery.
 - b. DO NOT USE CIRCUIT BREAKER OR FUSIBLE LINK.
4. Connect the other end of the Fuse to the POSITIVE (+) terminal of the battery.
 - a. Do NOT use any more than 2ft of wire between the battery terminal and the fuse and ensure the wire is protected and secured from being cut into; this is non-fused wire.

Control Wire Connections:

Based on required functions of the lightbar, connect the following wires to switches capable of providing +12V at a minimum of 10A to the 1 or 2 control wire harness.

Amber Only Lightbar, 3 Conductor Cable		
Wire Color	Gauge	Wire Functions
RED	18AWG	(+10-30Vdc) Warning Flash
YELLOW	18AWG	(+) Pattern Select
BLACK	18AWG	(-) Ground

Amber with White Work Lights, 4 Conductor Cable		
Wire Color	Gauge	Wire Functions
RED	18AWG	(+10-30Vdc) Warning Flash (Amber Color Only)
WHITE	18AWG	(+10-30Vdc) Takedown/Work Lights
YELLOW	18AWG	(+) Pattern Select
BLACK	18AWG	(-) Ground

Warning Flash Pattern Configuration:

- a. Apply power to product
- b. Connect RED wire to (+) Power & BLACK wire to (-) Ground
- c. Momentarily connect Pattern Select wire to (+) Power for 1 second to change the flash pattern per table below
- d. State is programmed upon releasing the pattern select wire from (+) Power

fpm=Flashes per Minute
fps=Flashes per Second

FLASH PATTERNS

Default

#	Phase	Pattern	fps	fpm	SAE Compliant	CA
1	Sim	Single Flash (SAE/ECE)	2.1	125	Y	
2	Alt In/Out, Alt L/R, Sim	Combination Single/Triple Flash				
3	Sim	Combination Single/Quint Flash				
4	Sim	Combination Single/Triple/Quint Flash				
5	Alt L/R, Sim	Combination Single/Warp/Quint Flash				
6	Alt L/R, Sim	Triple Flash	0.9	54		
7	Sim	Triple Flash	0.9	54		
8	Alt L/R, Sim	Combination Single/Triple Flash				
9	Alt L/R	Triple Flash	0.7	43		
10	Alt In/Out	Triple Flash	0.5	27		

IMPORTANT

WHEN PASSING CABLES THROUGH FIREWALL OR OTHER SHEETMETAL, INSERT GROMMET TO PROTECT THE CABLE!

⚠ WARNING

Route wires only in locations that are not subjected to potential wear. Make sure to avoid routing wires in the deployment area of your air bag. Refer to your vehicle's owner's manual for airbag deployment zone.

⚠ WARNING

ALL CUSTOMER SUPPLIED POWER WIRES CONNECTING TO THE POSITIVE (+) OR NEGATIVE (-) BATTERY TERMINAL OR LOCAL CHASIS GROUND (-) MUST BE SIZED TO SUPPLY AT LEAST 125% OF THE MAXIMUM CURRENT AND PROPERLY FUSED AT THE POWER SOURCE WITH APPROPRIATELY RATED FUSE.

2x SERIES

2x Series Lightbar (with 3 or 4 Wires and Black Tops)

REPLACEMENT OF INBOARD AND END MODULES:

1. Disconnect main power.
2. Remove the four screws holding the problem module.
3. Remove connector by depressing the latch on rear of module and carefully pulling connector body from back of module.
4. Push module connector into replacement module ensuring locking latch is seated properly and connector is fully seated.
5. Align replacement module, ensuring wires are not pinched, and secure with the four screws.
6. Restore power to bar and test new module to ensure functionality.

TROUBLESHOOTING

NO OPERATION	<p>Check input power and ground to lightbar, check signal wires for damage and/or opens.</p> <p>Check Input power wire and verify a minimum of 10.0 Volts is present on the wire.</p> <p>Check for blown fuse.</p>
NO TAKEDOWN LIGHTS	<p>Verify configuration and make sure light modules are configured for takedown function.</p>
NO LIGHT OPERATION IN ONLY ONE MODULE	<p>Verify module is not configured as a takedown/worklight that is not configured to flash with warning.</p> <p>Verify connection to module inside lightbar.</p>



2x Series Lightbar (with 3 or 4 Wires and Black Tops)

WARRANTY & RETURN GOODS PROCEDURE

CLEANING & CARE OF YOUR LIGHTBAR:

Keeping the lenses clean and scratch free will optimize the performance of the lightbar. The exterior of the lightbar including lenses should be cleaned with mild soapy water and a soft cotton cloth to remove dirt, grime and insects. Never use window cleaners or harsh chemicals on the lenses; this may cause failure of the lenses or reduce clarity resulting in the reduction of light output.

MOUNTING INTEGRITY:

A review of bolt/hardware/mounting bracket integrity should be performed at the beginning and end of each shift.

WARNING MESSAGES - PLEASE READ: _____

WARNING - DRILLING ANY HOLES INTO THE LIGHTBAR IS NOT RECOMMENDED! THE RISK OF DAMAGING INTERNAL COMPONENTS AND THE RESULTING FAILURE OF THE LIGHTBAR WILL VOID ANY WARRANTY OF THIS PRODUCT.

WARNING - CARE MUST BE TAKEN WHEN DRILLING THROUGH THE ROOF OF THE VEHICLE NOT TO DRILL INTO ANY EXISTING WIRING AND NOT TO DRILL THROUGH THE HEADLINER OR SUPPORT MEMBERS OF THE VEHICLE. CHECK BOTH SIDES OF THE MOUNTING SERVICE PRIOR TO DRILLING. DE-BURR ANY HOLES AND REMOVE ANY METAL SHARDS OR REMNANTS. INSTALL GROMMETS INTO ALL WIRE PASSAGE HOLES.

WARNING - ROUTE WIRES ONLY IN LOCATIONS THAT ARE NOT SUBJECTED TO POTENTIAL WEAR. MAKE SURE TO AVOID ROUTING WIRES IN THE DEPLOYMENT AREA OF YOUR AIR BAG. REFER TO YOUR VEHICLE OWNER'S MANUAL FOR AIR BAG DEPLOYMENT ZONES.

WARNING - ALL CUSTOMER SUPPLIED POWER WIRES CONNECTING TO THE POSITIVE (+) OR NEGATIVE (-) BATTERY TERMINAL OR LOCAL CHASSIS GROUND (-) MUST BE SIZED TO SUPPLY AT LEAST 125% OF THE MAXIMUM CURRENT AND PROPERLY FUSED AT THE POWER SOURCE WITH APPROPRIATELY RATED FUSE.

IMPORTANT: When passing cables through fire wall or other sheet metal, insert grommet to protect the cable!

WARRANTY RETURN PROCESS:

Please contact your SoundOff Commercial Vehicle Products (CVP) Sales Representative or Customer Services staff (616.662.6199) for a RMA #, Return Merchandise Authorization Number.

The following information is required for issuance of the RMA #:

- Reason for returning the product*
- Address where replacement product is to be shipped*
- Telephone number where you may be reached*
- CVP invoice number on which product was purchased**
- CVP part number and serial number**
- E-mail address where RMA # should be e-mailed**
- Fax number where RMA # should be faxed**

* RMA # will not be given without this information.

** If available, please provide this information.

CVP will NOT accept returns without an RMA #. Each RMA # is good for only one (1) return and will expire (10) days after the date it was issued. Products must be shipped back to CVP and the RMA # clearly marked on the outside of the package near the shipping label. Please use the following address on your shipping label:

SoundOff CVP
Attn: RMA Department
RMA # (type your number here)
3630 Highland Drive
Hudsonville, MI 49426

WARRANTY EXCLUSIONS:

Shipping & Handling, labor and service fees are non-refundable. CVP is not liable for any damage due to installation or personal injury as a result of using SoundOff Signal product.

WARRANTY FORFEITURE:

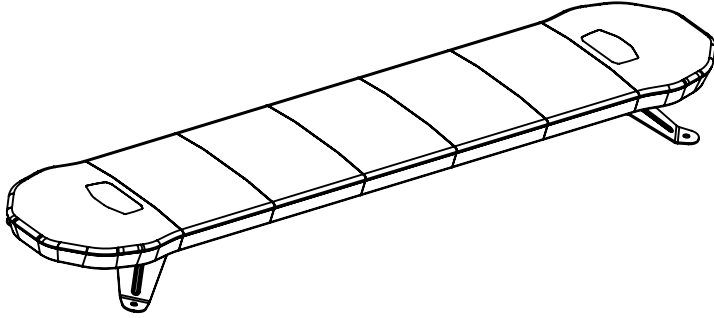
Warranty will not be granted if the Warranty Return Policy & Procedure rules are not strictly followed. Physical damage resulting from customer abuse will void warranty. Warranty will also be voided if any CVP and/or manufacturer serial tags, product stickers, seals, or the like, are removed, altered or tampered with. Returned product that is damaged by shipping via the RMA # procedure is not the responsibility of CVP.

Document effective date on cover and below supersedes previously dated policies and statements.

There are no other warranties, expressed or implied, including, but not limited to, any implied merchantability or fitness for a particular use. CVP reserves the right to modify this warranty statement at any time; or to discontinue, modify, or upgrade any products of its manufacture with design improvements without prior notice.

2x SERIES

2x Series Lightbar (with 3 or 4 Wires and Black Tops)



AVISO IMPORTANTE PARA EL INSTALADOR: Asegúrese de leer y comprender todas las instrucciones y advertencias antes de continuar con la instalación del producto. Asegúrese de entregar el manual y toda tarjeta de advertencia al usuario final de este equipo. La correcta instalación de la barra de luces requiere que el instalador cuente con un conocimiento exhaustivo de electrónica, sistemas y procedimientos automotrices. Las barras de luces proveen la función esencial de un sistema de advertencia visual efectivo. El uso de la barra de luces no asegura que todos los conductores puedan, se atengan o reaccionen ante una señal de advertencia de emergencia, especialmente a altas velocidades o largas distancias. El operador del vehículo nunca debe dar por sentado la prioridad de paso y es la responsabilidad del operador proceder de manera segura. La efectividad de la barra de luces depende en gran medida del correcto montaje y cableado. El instalador debe leer y respetar las instrucciones de instalación y las advertencias en el manual del fabricante. El operador del vehículo debe verificar a diario que la barra de luces esté ajustada de manera segura al vehículo y que funcione correctamente antes de poner el vehículo en funcionamiento. La barra de luces está prevista para que la utilice únicamente personal autorizado. Es responsabilidad del usuario asegurar la comprensión y operar los dispositivos de advertencia de emergencia en cumplimiento con las leyes y normativas locales, estatales y federales aplicables. SoundOff Signal no asume responsabilidad alguna por cualquier pérdida que pudiera resultar del uso de este dispositivo de advertencia.

Componentes/contenidos

Equipo estándar:

1 - Barra de luces de la serie 2X, con 3 o 4 cables y tapas negras

2 - Pie de montaje con accesorios

** No se incluye el juego de ganchos específico del vehículo

Desembalar la barra de luces

1. Retirar la barra de luces de la caja y el empaque.
2. Reservar el empaque para el posterior envío.
3. Verificar los componentes/contenidos.
4. Consultar estas instrucciones para un cableado y una instalación como corresponde.

Herramientas para la instalación

- Llave de tubo con trinquete de 13 mm
- Llave de 13 mm
- Destornillador Phillips



1.616.662.6199 / www.soundoffcvp.com

AVISO:

Los instaladores y usuarios deben cumplir todas las leyes federales, estatales y locales con respecto al uso y la instalación de dispositivos de advertencia.

*El uso o la instalación incorrecta podrían anular la cobertura de la garantía. Para revisar nuestra Declaración de garantía limitada y Política de devolución para este o cualquier producto de SoundOff Signal, visite nuestro sitio web www.soundoffcvp.com/sales-support. Si tiene alguna consulta con respecto a este producto, comuníquese con **Servicios técnicos** de lunes a viernes de 8 a. m. a 5 p. m. horario del este al **1.616.662.6199**.*

Las preguntas o comentarios que no requieren una atención inmediata pueden enviarse por correo electrónico a orders@soundoffcvp.com.

ÍNDICE

PÁGINA	CONTENIDO
1	COMPONENTES/CONTENIDOS
2	ESPECIFICACIONES TÉCNICAS/ENERGÉTICAS
3	MONTAJE
4	DEFINICIONES DE LOS CABLES DE ENTRADA Y CONFIGURACIÓN DE LOS PATRONES DE INTERMITENCIA/LUZ DE TRABAJO/DETENCIÓN
5	REEMPLAZO DEL MÓDULO DE LUCES Y RESOLUCIÓN DE PROBLEMAS
6	GARANTÍA Y PROCEDIMIENTO DE DEVOLUCIÓN DE PRODUCTOS

Información importante: _____

- Las ordenanzas municipales, estatales y federales regulan y rigen de manera rigurosa los dispositivos de advertencia. Estos dispositivos SOLO deberán usarse en vehículos aprobados. Es responsabilidad exclusiva del usuario de estos dispositivos garantizar el cumplimiento.
- NO instale este producto ni trace ningún cableado en la zona de despliegue de la bolsa de aire. Consulte el manual del propietario del vehículo para obtener información de las zonas de despliegue de la bolsa de aire.
- NO conecte este dispositivo a un suministro de energía estroboscópico. Este producto es independiente y no requiere un suministro de energía externo.

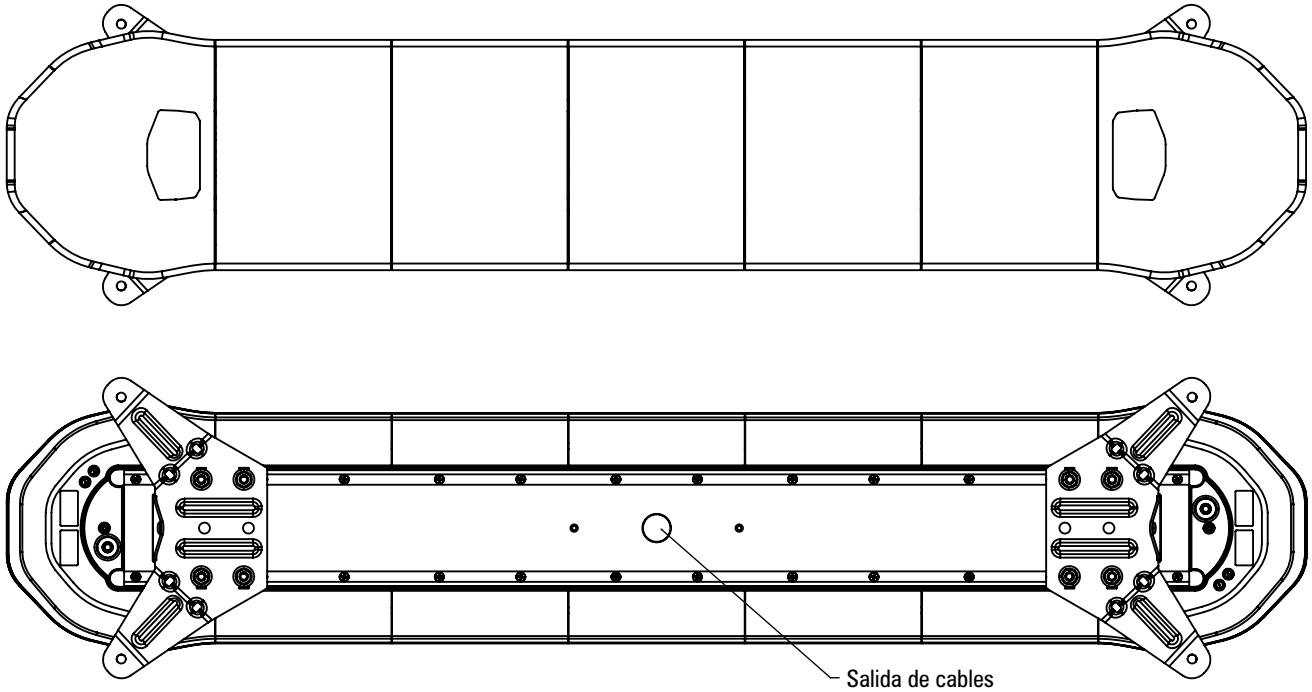


ADVERTENCIA

Este producto contiene dispositivos LED de alta intensidad. Para prevenir lesiones oculares, NO mire directamente al rayo de luz a corta distancia.

2x SERIES

2x Series Lightbar (with 3 or 4 Wires and Black Tops)



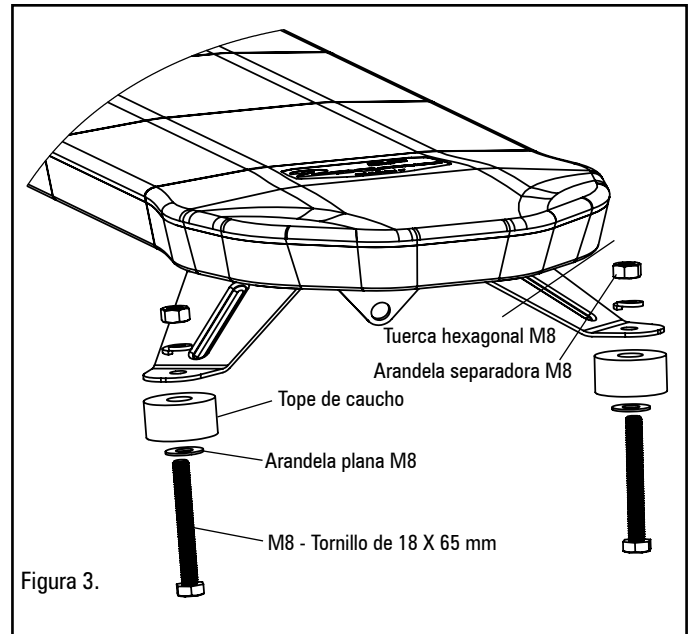
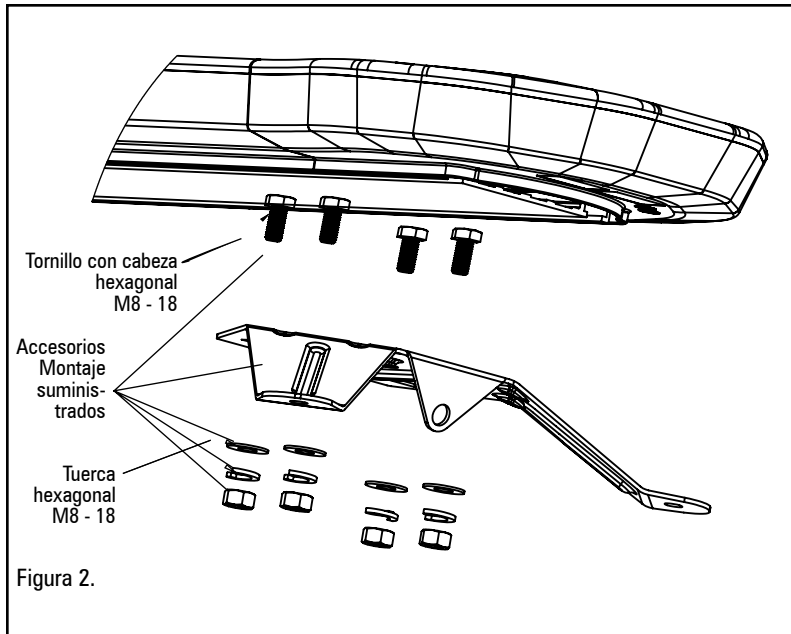
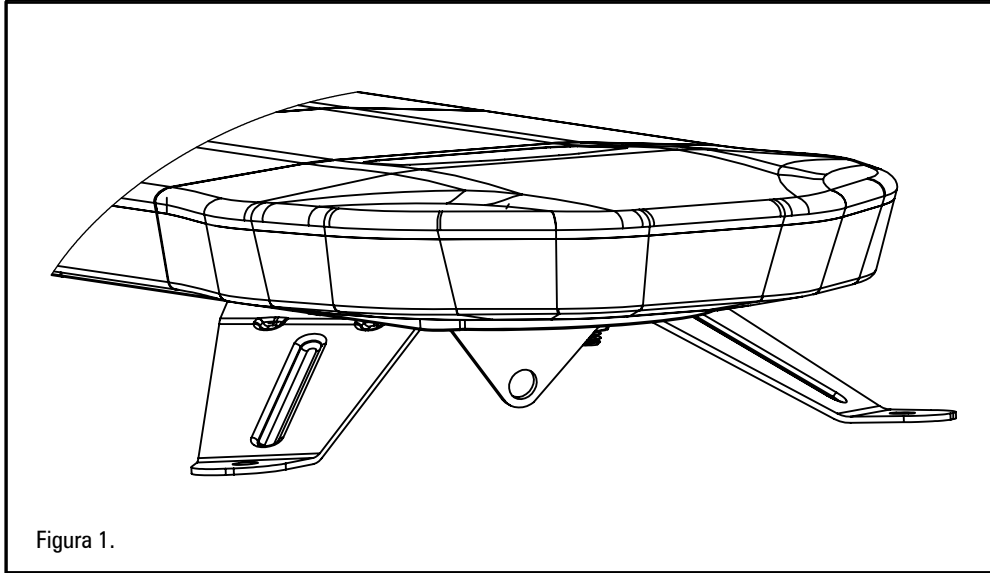
ESPECIFICACIONES ENERGÉTICAS	
Rango de tensión de entrada:	de 10 Vcc a 30 Vcc
Polaridad invertida	Protegido
Descarga	Protegido
Cableado	Cable de energía y control: 0,5 m 18 AWG
Cantidad de LED y consumo máximo de corriente a 12,8 Vcc	27 pulg./0,54 m: 56 LED; 2,8 A máx. 28 pulg./0,70 m: 72 LED; 3,6 A máx. 34 pulg./0,86 m: 88 LED; 4,4 A máx. 40 pulg./1,02 m: 104 LED; 5,2 A máx. 47 pulg./1,18 m: 120 LED; 6,0 A máx. 53 pulg./1,34 m: 136 LED; 6,8 A máx. 59 pulg./1,50 m: 152 LED; 7,6 A máx.
Cantidad de LED y vataje máximo a 12,8 Vcc <i>(Todas las luces parpadean)</i>	27 pulg./0,54 m: 56 LED; 18 vatios máx. 28 pulg./0,70 m: 72 LED; 23 vatios máx. 34 pulg./0,86 m: 88 LED; 28 vatios máx. 40 pulg./1,02 m: 104 LED; 33 vatios máx. 47 pulg./1,18 m: 120 LED; 38 vatios máx. 53 pulg./1,34 m: 136 LED; 44 vatios máx. 59 pulg./1,50 m: 152 LED; 49 vatios máx.

ESPECIFICACIONES TÉCNICAS	
Material de la cubierta superior:	Policarbonato (PC) resistente a los rayos UV
Material del lente:	Policarbonato (PC) resistente a los rayos UV
Material del marco:	Aluminio extruido
Accesorios para el techo:	Montaje del soporte
Temp. de funcionamiento:	desde -40° hasta +65° C
LONGITUD	N.º DE SECCIONES INTEGRADAS
27 pulg./0,54 m	1
28 pulg./0,70 m	2
34 pulg./0,86 m	3
40 pulg./1,02 m	4
47 pulg./1,18 m	5
53 pulg./1,34 m	6
59 pulg./1,50 m	7

2x SERIES

2x Series Lightbar (with 3 or 4 Wires and Black Tops)

MONTAJE



ADVERTENCIA

Guíe el cableado solamente por ubicaciones que no estén sujetas a sufrir un posible desgaste. Asegúrese de evitar el trazado de cables en el área de despliegue de la bolsa de aire. Consulte el manual del propietario de su vehículo para obtener información de la zona de despliegue de la bolsa de aire.

2x SERIES

2x Series Lighbar (with 3 or 4 Wires and Black Tops)

Cable de energía:

1. Guíe los cables de energía de la barra de luces lo más cerca posible a la fuente de energía del vehículo (batería).
2. Conecte el cable NEGRO de 18AWG (más grueso) a la masa del chasis de fábrica junto a la batería.
3. Instale un fusible de 15 A como máximo (suministrado por el cliente) en el extremo del cable ROJO del cable de energía de la barra de luces.
 - a. Retire el fusible antes de conectar cualquier cable a la batería.
 - b. NO UTILICE DISYUNTORES O CONEXIONES DE FUSIBLES.
4. Conecte el otro extremo del fusible al terminal POSITIVO (+) de la batería.
 - a. NO utilice más de 2 pies de cable entre el terminal de la batería y el fusible, y asegúrese de que el cable esté protegido y asegurado contra cortes; este es un cable sin fusibles.

Conexiones de cables de control:

Según las funciones necesarias de la barra de luces, conecte los siguientes cables a los interruptores capaces de proporcionar +12 V a un mínimo de 10A a los mazos de 1 o 2 cables de control.

Barra de luces solo de color ámbar, 3 cables conductores		
Color del cable	Calibre	Funciones del cable
ROJO	18AWG	(+10-30 Vcc) Intermitencia de advertencia
AMARILLO	18AWG	(+) Selector de patrones
NEGRO	18AWG	(-) A tierra

Ámbar con luces blancas de trabajo, 4 cables conductores		
Color del cable	Calibre	Funciones del cable
ROJO	18AWG	(+10-30 Vcc) Intermitencia de advertencia (solo color ámbar)
BLANCO	18AWG	(+10-30 Vcc) Luces de detención/trabajo
AMARILLO	18AWG	(+) Selector de patrones
NEGRO	18AWG	(-) A tierra

Configuración del patrón de intermitencia de advertencia:

- a. Aplique energía al producto.
- b. Conecte el cable ROJO a la terminal (+) Alimentación y al cable NEGRO a la terminal (-) A tierra
- c. Por un momento, conecte el cable de Selector de patrones a la (+) Alimentación durante 1 segundo para cambiar el patrón de intermitencia según la tabla a continuación.
- d. El estado se programa tras desconectar el cable selector de patrones de la (+) Alimentación.

fpm= Parpadeos por minuto

fps= Parpadeos por segundo

PATRONES DE INTERMITENCIA

Preconfigurado

N.º	Fase	Patrón	fps	fpm	Cumple con SAE	CA
1	Sim	Intermitencia Única (SAE / ECE)	2,1	125	S	
2	Alt In/Out, Alt L/R, Sim	Combinación única/ Intermitencia Triple				
3	Sim	Combinación única/ Intermitencia Quint				
4	Sim	Combinación única/Triple/ Intermitencia Quint				
5	Alt L/R, Sim	Combinación única/Warp/ Intermitencia Quint				
6	Alt L/R, Sim	Intermitencia Triple	0,9	54		
7	Sim	Intermitencia Triple	0,9	54		
8	Alt L/R, Sim	Combinación única/ Intermitencia Triple				
9	Alt L/R	Intermitencia Triple	0,7	43		
10	Alt In/Out	Intermitencia Triple	0,5	27		

IMPORTANTE

CUANDO SE PASAN CABLES POR EL CORTAFUEGOS U OTRO METAL LAMINADO, ¡INSERTE ARANDELAS PARA PROTEGER EL CABLE!



ADVERTENCIA

Guíe el cableado solamente por ubicaciones que no estén sujetas a sufrir un posible desgaste. Asegúrese de evitar el trazado de cables en el área de despliegue de la bolsa de aire. Consulte el manual del propietario de su vehículo para obtener información de la zona de despliegue de la bolsa de aire.



ADVERTENCIA

TODOS LOS CABLES DE ALIMENTACIÓN SUMINISTRADOS POR EL CLIENTE CONECTADOS AL TERMINAL POSITIVO (+) O NEGATIVO (-) DE LA BATERÍA O A LA MASA DEL CHASIS LOCAL (-) DEBEN TENER LA DIMENSIÓN ADECUADA PARA SUMINISTRAR AL MENOS 125% DE LA CORRIENTE MÁXIMA Y DEBEN ESTAR CORRECTAMENTE UNIDOS CON FUSIBLE A LA FUENTE DE ENERGÍA CON EL FUSIBLE DE CLASIFICACIÓN ADECUADO.



2x Series Lightbar (with 3 or 4 Wires and Black Tops)

REEMPLAZO DE MÓDULOS INTEGRADOS Y FINALES:

1. Desconecte la línea principal de energía.
2. Retire los cuatro tornillos que sostienen el módulo defectuoso.
3. Retire el conector al presionar el pestillo que se encuentra en la parte posterior del módulo y tire con cuidado del cuerpo del conector de la parte posterior del módulo.
4. Empuje el conector del módulo en el módulo de repuesto y asegúrese de que el pestillo de bloqueo esté bien apoyado y que el conector esté asentado por completo.
5. Alinee el módulo de reemplazo, asegúrese de que los cables no estén apretados y fíjelos con los cuatro tornillos.
6. Reanude la energía a la barra y pruebe el nuevo módulo para asegurar la funcionalidad.

RESOLUCIÓN DE PROBLEMAS

SIN FUNCIONAMIENTO	Verifique la energía de entrada y la puesta a tierra de la barra de luces; corrobore que los cables de señales no estén dañados ni tengan aberturas. Verifique el cable de energía de entrada y verifique que haya un mínimo de 10,0 voltios en el cable. Verifique si hay fusibles fundidos.
NO HAY LUCES DE DETENCIÓN	Verifique la configuración y asegúrese de que los módulos de las luces estén configurados para la función de detención.
LA LUZ NO FUNCIONA EN UN SOLO MÓDULO	Verifique que el módulo no esté configurado como luz de detención/trabajo que no esté configurada para parpadear con advertencia. Verifique la conexión al módulo dentro de la barra de luces.



2x Series Lightbar (with 3 or 4 Wires and Black Tops)

GARANTÍA Y PROCEDIMIENTO DE PRODUCTOS DEVUELTOS

LIMPIEZA Y CUIDADO DE LA BARRA DE LUCES:

Mantener los lentes limpios y sin raspones optimizará el rendimiento de la barra de luces. El exterior de la barra de luces incluidos los lentes se deben limpiar con agua y jabón y con un paño de algodón suave para eliminar la suciedad, la mugre y los insectos. Nunca utilice limpiacristales o químicos fuertes sobre los lentes ya que podría causar la falla de estos o reducir la claridad, lo cual resultará en la reducción de la potencia de luz.

INTEGRIDAD DEL MONTAJE:

Al comenzar y finalizar cada turno se debe realizar una revisión de la integridad de los pernos/hardware/sopORTE de montaje.

MENSAJES DE GARANTÍA - LEER:

ADVERTENCIA: ¡NO SE RECOMIENDA PERFORAR ORIFICIOS EN LA BARRA DE LUZ! EL RIESGO DE DAÑO A LOS COMPONENTES INTERNOS Y LA FALLA RESULTANTE DE LA BARRA DE LUCES PROVOCARÁ LA NULIDAD DE LA GARANTÍA DE ESTE PRODUCTO.

ADVERTENCIA: SE DEBEN TOMAR PRECAUCIONES CUANDO SE PERFORE A TRAVÉS DEL TECHO DEL VEHÍCULO PARA NO PERFORAR NINGÚN CABLEADO EXISTENTE NI PERFORAR A TRAVÉS DEL TECHO INTERIOR O LOS MIEMBROS DE SOPORTE DEL VEHÍCULO. VERIFIQUE AMBOS COSTADOS DEL SERVICIO DE MONTAJE ANTES DE PERFORAR. ELIMINE LAS REBABAS DE CUALQUIER ORIFICIO Y REMUEVA CUALQUIER FRAGMENTO O RESTO DE METAL. INSTALE ARANDELAS EN TODO ORIFICIO DE PASAJE DE CABLES.

ADVERTENCIA: GUÍE EL CABLEADO SOLAMENTE EN UBICACIONES QUE NO ESTÉN SUJETAS A POSIBLE DESGASTE. ASEGÚRESE DE EVITAR EL TRAZADO DE CABLES EN EL ÁREA DE DESPLIEGUE DE LA BOLSA DE AIRE. CONSULTE EL MANUAL DEL PROPIETARIO DEL VEHÍCULO PARA OBTENER INFORMACIÓN DE LAS ZONAS DE DESPLIEGUE DE LA BOLSA DE AIRE.

ADVERTENCIA: TODOS LOS CABLES DE ALIMENTACIÓN SUMINISTRADOS POR EL CLIENTE CONECTADOS AL TERMINAL POSITIVO (+) O NEGATIVO (-) DE LA BATERÍA O A LA MASA DEL CHASIS LOCAL (-) DEBEN TENER LA DIMENSIÓN ADECUADA PARA SUMINISTRAR AL MENOS 125% DE LA CORRIENTE MÁXIMA Y DEBEN ESTAR CORRECTAMENTE UNIDOS CON UN FUSIBLE A LA FUENTE DE ENERGÍA CON EL FUSIBLE DE CLASIFICACIÓN ADECUADO.

IMPORTANTE: Cuando se pasan cables por el cortafuegos u otro metal laminado, inserte arandelas para proteger el cable!

PROCESO DE DEVOLUCIÓN EN GARANTÍA:

Póngase en contacto con su representante de ventas de Productos para Vehículos Comerciales (Commercial Vehicle Products, CVP) de SoundOff o con el personal de atención al cliente (616.662.6199) para obtener un número de Autorización de Devolución de Mercancías (Return Merchandise Authorization, RMA).

La siguiente información es necesaria para la emisión del n.º de RMA:

- Motivo de devolución del producto*
- Dirección a la que se debe enviar el producto de reemplazo*
- Número de teléfono donde podamos contactarlo*
- Número de factura de CVP en la que figura la compra del producto**
- Número de pieza y de serie de CVP**
- Dirección de correo electrónico a la que se puede enviar el n.º de RMA**
- Número de fax al que se puede enviar el n.º de RMA**

*El n.º de RMA no se otorgará sin esta información.

**Si dispone de esta información, tenga a bien proveerla.

CVP no aceptará devoluciones sin un n.º de RMA. Cada n.º de RMA tiene validez para una (1) devolución y vencerá (10) días después de la fecha de emisión. Los productos se deben enviar nuevamente a CVP y el n.º de RMA debe estar marcado de manera clara en la parte exterior del empaque cerca de la etiqueta de envío. Coloque la siguiente dirección en la etiqueta de envío:

SoundOff CVP
Atención: Departamento de RMA
N.º de RMA (escriba su número aquí)
3630 Highland Drive
Hudsonville, MI 49426

EXCLUSIONES DE LA GARANTÍA:

Los cargos por envío y manejo, mano de obra y servicios no son reembolsables. CVP no se responsabiliza por cualquier daño provocado durante la instalación o lesiones personales como resultado del uso del producto de SoundOff Signal.

PÉRDIDA DE LA GARANTÍA:

La garantía no será efectiva si no se cumplen estrictamente las normas de la Política y procedimiento de devolución en garantía. El daño físico que resulte del abuso por parte del cliente anulará la garantía. La garantía también será nula si se remueven, alteran o falsifican etiquetas de serie, adhesivos del producto, sellos y demás de CVP o del fabricante. Si el producto devuelto se daña durante el envío por el procedimiento del n.º de RMA no será responsabilidad de CVP.

La fecha efectiva del documento en la cubierta y a continuación sustituye a cualquier política y declaración previamente fechadas.

No existen otras garantías, expresas o implícitas que incluyen cualquier comerciabilidad implícita o aptitud para un uso en particular. CVP se reserva el derecho de modificar esta declaración de garantía en cualquier momento, o de discontinuar, modificar o actualizar cualquier producto de su fabricación con mejoras en el diseño sin previo aviso.