

DUAL EXTERIOR DECK / GRILLE WARNING SYSTEM

ASSEMBLY INSTRUCTIONS

EP2DGS1(x)



⚠ WARNING

This product contains high intensity LED devices. To prevent eye damage, DO NOT stare into light beam at close range.

IMPORTANT: DO NOT connect this device to a strobe power supply.

FLASH PATTERNS for DUAL HEAD EXTERIOR PREDATOR II (EP2DGS1(x))

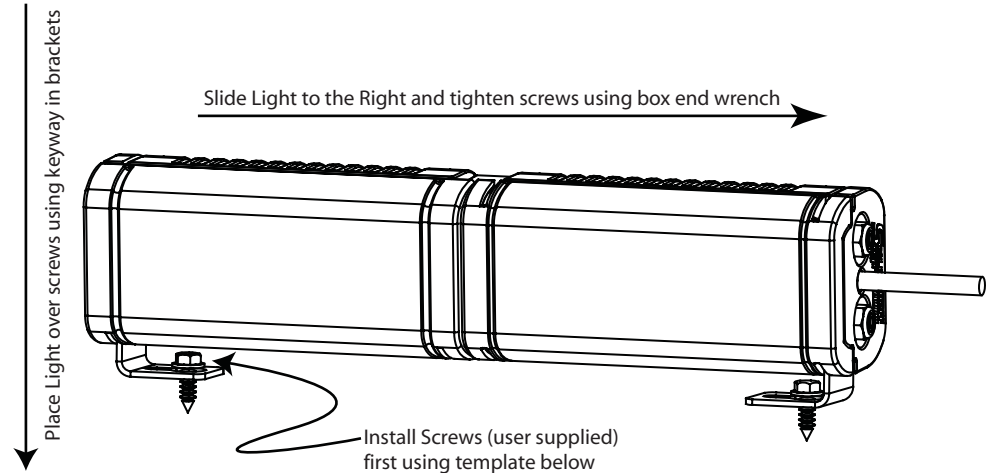
#	Pattern Name	1 Light	Alternating 2 Lights	Simultaneous 2 Lights	X-Pattern 4 Lights	Flashes/ Minute
1	Quint	X	X	X		70
2	Warp	X	X	X		350
3	Inter-Cycle Flash	X	X			
4	Double Flash	X	X	X		70
5	Quad Flash	X	X	X		80
6	Power Pulse	X	X	X		180
7	Road Runner	X	X	X		113
8	Q-Switch	X	X			
9	Road Runner Steady Burn	X	X			113
10	Quad Steady Burn	X	X			80
11	E-Ideal Single Flash	X	X	X		200
12	E-Ideal Double Flash	X	X	X		146
13	Quad2 Flash	X	X	X		67
14	Double2 Flash	X	X	X		95
15	X-Warp				X	
16	X-Double				X	
17	PowerRunner	X	X	X		
18	LCR Quint	X	X	X		
19	Warp ³	X	X	X		
20	Ultra Warp	X	X	X		545
21	Thunder and Lightning	X	X			
22	LiteSpeed	X	X	X		85
23	SuperSonic	X	X	X		170
24	LCR LiteSpeed	X	X	X		
25	SuperSonic Ultra	X	X	X		
26	TempoShift	X	X	X		
27	TempoShift Warp	X	X	X		
28	SBE2	X	X	X		67
29	C ²	X	X	X		200
30	U ²	X	X	X		176
31	UltraGlow	X	X	X		
32	Cyclone	X	X	X		
33	Chameleon	X	X	X		

WARNING: Warning devices are strictly regulated and governed by Federal, State and Municipal ordinances. These devices shall be used **ONLY** on approved vehicles. It is the sole responsibility of the user of these devices to ensure compliance.

BRACKET MOUNTING

Important: DO NOT over tighten mounting screws or nuts. This could cause permanent damage to the bracket

- Locate flat mounting location for Predator II Light Bracket.
- When position of bracket is determined use supplied template for hole locations.
- Drive in Customer Supplied Hex Head screws. Leave about a 1/16" space between the mounting surface and underside of screw head.
- Place Light over screws using the holes in brackets and slide to the right to lock the brackets underneath the head of the bolts.
- Using an open-end wrench, tighten the hex head bolts down tight to secure the light to the mounting surface.
- Adjust angle of the light to best suit your application by loosening the 2 nuts on either end of the light.
- After the Predator is set to the desired angle, tighten the 2 nuts on either end of the light. **DO NOT OVER TIGHTEN** nuts as damage to bracket or light can occur. Tighten nut until snug plus 1/8 turn.
- Make electrical connections using the following instructions.



ID SELECTION

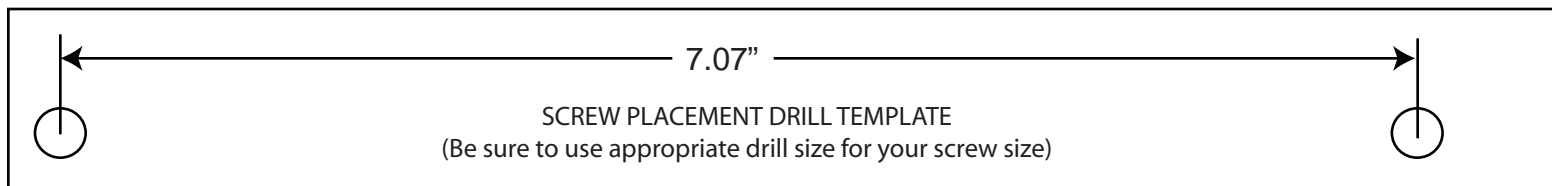
- Identify which pattern and sequence preferred and look up ID#s on the table provided on the second page.
- Connect the PREDATOR II WHITE wire to the same source as the RED wire (Note: you will need to disconnect after power is applied)
- Turn PREDATOR II ON
- Without disconnecting power from unit, disconnect WHITE wire
- Momentarily Touching and removing the WHITE wire to ground will advance the PREDATOR II to the next ID#. The ID# can be identified by the number of sequential flashes from 1 up to 4. ID# 1 should be used if not synchronizing with other lights.
- Once the ID is selected DISCONNECT power.

OPERATING INSTRUCTIONS

See setup procedure on second page.

The single Predator II comes equipped with an internal flasher with 33 user selectable patterns that can be synchronized either alternating or simultaneous with up to three other lights. It can also be put into slave mode and driven through an external flasher.

- Connect the PREDATOR II BLACK wire to a good, convenient ground.
- Connect the PREDATOR II RED wire to one side of a user supplied on/off switch. Connect the other side of the switch, through a 5Amp fuse, to a source of +10-30Vdc.





3900 Central Parkway
Hudsonville, MI 49426
toll free 800.338.7337
office 616.896.7100

techsupport@soundoffsignal.com
www.soundoffsignal.com

DUAL EXTERIOR DECK / GRILLE WARNING SYSTEM ASSEMBLY INSTRUCTIONS EP2DGS1(x)



Predator Sync Configuration Instructions

1. Set ID#
 - a. Identify which pattern and sequence you want and look up ID#s on table.
 - b. Connections
 - i. RED: +10-30Vdc
 - ii. WHT: +10-30Vdc (Note: you will need to disconnect after power is applied)
 - iii. BLK: Ground
 - c. Apply power to unit
 - d. Without disconnecting power from unit, disconnect WHT wire
 - e. Momentarily connect WHT to Ground to change ID #
 - i. Identify ID# by number of sequential flashes
 - ii. Possible ID#s: 1 – 4
 - f. Disconnect power from unit to get out of ID mode.
2. Set Pattern
 - a. Reapply power to units.
 - b. Once all Light Head ID#s are configured, make sure all lights are flashing the same pattern
 - c. Connect corresponding colored wires of all units together: RED to RED, etc.
 - d. Change Pattern
 - i. Momentarily connect WHT wires to Ground
 - ii. Observe pattern change on all lights connected
 - e. Insulate all wires by taping with electrical tape
3. Connect Master Switch for Application
 - a. **IMPORTANT!** Ensure WHT Pattern/Sync Wires are tied together

1 DUAL LIGHT

- Follow the ID selection steps and set the PREDATOR II to the following ID:
- Alternating (*default*): ID#1 or ID#3. (*includes cycle patterns and steady burn patterns*)
 - Simultaneous: ID#2 or ID#4. (*both lights will flash together regardless of pattern*)

2 DUAL LIGHTS

- Follow the ID selection steps and set the PREDATOR II to the following ID:
IMPORTANT: Make sure both lights flash the same pattern!
- Both lights alternating together with individual lights alternating
 - Ex. 2x RED/BLUE Dual's; (RED *alt.* BLUE) *alt.* (RED *alt.* BLUE)
 - Set both PREDATOR II's to **ID#1**

- Both lights alternating opposite with individual lights alternating.
 - Ex. 2x RED/BLUE Dual's; (RED *alt.* BLUE) *alt.* (BLUE *alt.* RED)
 - Set one PREDATOR II to **ID#1** and the other to **ID#3**
- Both lights alternating with individual lights simultaneous
 - Ex. 1x BLUE/BLUE & 1x RED/RED (RED *sim.* RED) *alt.* (Blue *sim.* Blue)
 - Set one PREDATOR II to **ID#2** and the other to **ID#4**
- Both lights simultaneous with individual lights simultaneous.
 - Ex. 2x RED RED (RED *sim.* RED) *sim.* (RED *sim.* RED)
 - Set both Predator II's to **ID#2**

X-PATTERN - To obtain X-Patterns, follow the ID SELECTION steps and set one of the four PREDATOR II lights to ID#1, one to ID#2, one to ID#3, and one to ID#4. Then proceed to the PATTERN SELECTION steps. NOTE: Be sure to mount each PREDATOR II in the correct placement based on ID#.

PATTERN SELECTION

1. Disconnect WHITE wire from any connections if applicable.
2. Turn PREDATOR II ON.
3. Momentarily touching and removing the WHITE wire(s) to ground will advance the PREDATOR II to the next flash pattern. Touching and removing the White wire for more than a few seconds will allow you to change the PREDATOR II to the previous pattern. See flash pattern table. Continuing to touch and remove the WHITE wire(s) to ground will allow you to scroll through the pattern list. After pattern #33 is reached the list will start over again at pattern #1.

NOTE: The PREDATOR II is equipped with flash pattern memory. Once you have selected a pattern the PREDATOR II will always activate to that pattern every time the unit is turned on. Tape up and secure WHITE wire so that it will not accidentally change your selected pattern.

PATTERN RESET

1. Remove Power.
2. Place WHITE (sync) wire to ground.
3. With sync wire grounded, re-power RED wire.
4. Maintain for one second (light will dim)
5. Remove power and ground (pattern 1 set).

SLAVE MODE

The PREDATOR II is capable of being activated through the use of a user supplied flasher by putting it in slave mode.

1. Permanently connect the PREDATOR II WHITE and BLACK wire to a good, convenient ground.
2. Connect the PREDATOR II RED wire, through a 5Amp fuse, to the output of a +10-30Vdc switching flasher.

NOTE: The PREDATOR II is a factory sealed unit that CANNOT be serviced in the field. Any attempt to gain access to the PREDATOR II unit will most likely cause permanent damage and void its warranty.