

SoundOff Signal

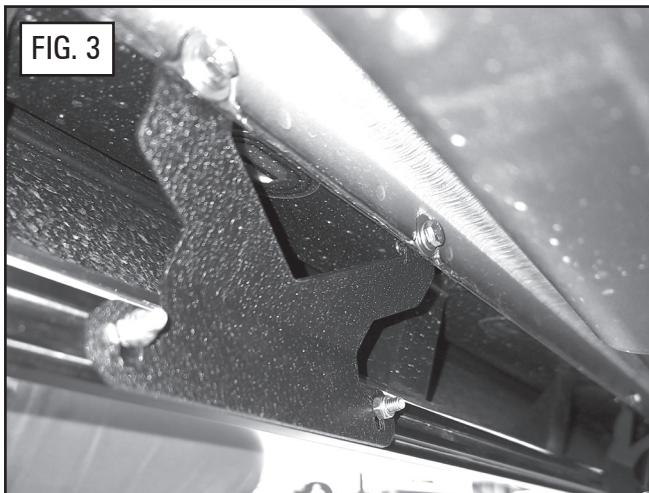
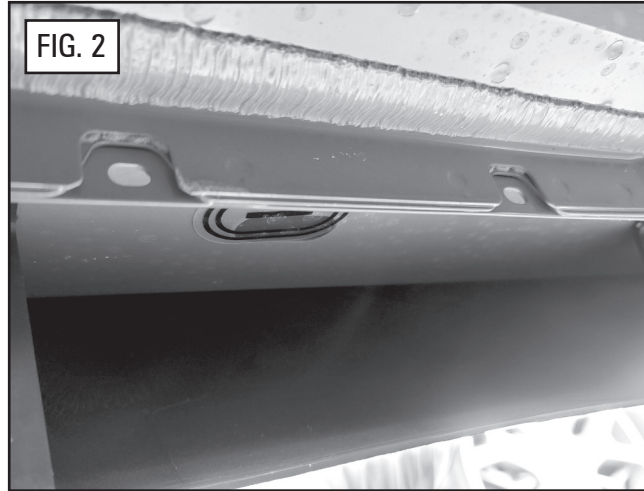
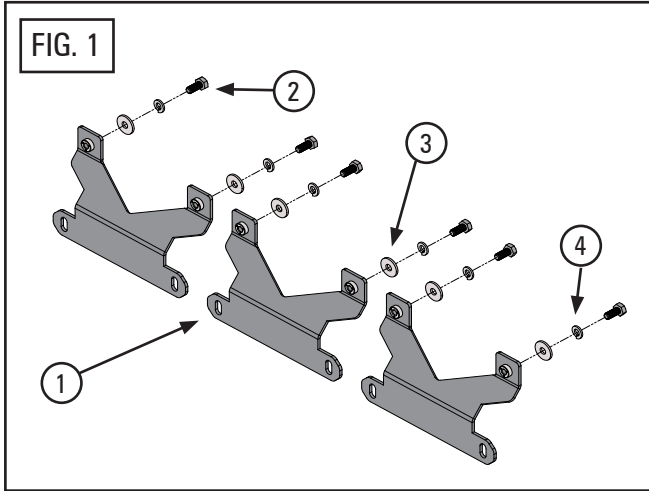
2011 - 2023 DODGE DURANGO SL® MOUNTS
PSLVBK04

NOTE: THIS KIT ONLY SUPPORTS ONE LIGHT. MUST PURCHASE 2 HARDWARE KITS TO SUPPORT BOTH SIDES OF VEHICLE.

SUPPORTED PART NUMBERS FOR THIS BRACKET KIT
 ESLRL5004(x) - SL RUNNING LIGHT 4 MOD, SINGLE 50"
 ESLRL6105(x) - SL RUNNING LIGHT 5 MOD, SINGLE 61"
 ESLRL7306(x) - SL RUNNING LIGHT 6 MOD, SINGLE 72"

INSTALLATION:

1. Remove the brackets and hardware from the kit.
2. Locate the pinch weld area under the vehicle as shown in Fig 2. There are two slotted holes in the pinch weld that will be used to install the brackets provided.
3. Take two of the M6 bolts, lock washers, and flat washers and begin to install the bracket as shown in Fig 3. The bracket mounts on the outside of the pinch weld and the M6 bolt goes through the holes in the bracket and the pinch weld and threads into the bracket. Tighten to 15 in-lbs.
4. Repeat step 3 until all 3 of the brackets provided are installed on the pinch weld.
5. Take the "SL" light and use the hardware kit provided with the light to install to the brackets that were just mounted by sliding the 4 M6 bolts into the channel on the back of the light.
6. Line up the 4 M6 bolts with the slots on the brackets already installed. Two bolts will mount to the center bracket and only one bolt will mount to the outer brackets. Tighten down the M6 nuts to 15 in-lbs.



CONTAINS		
#	QTY*	COMPONENT
1	3	2011-2022 DURANGO ROCKER BRACKET
2	6	M6x1x14mm HEX HEAD BOLTS
3	6	18-8 STAINLESS STEEL OVERSIZED WASH
4	6	SPLIT LOCK WASHER

NOTICE:

Installers and users must comply with all applicable federal, state and local laws regarding use and installation of warning devices.

Improper use or installation may void warranty coverage.

To review our Limited Warranty Statement & Return Policy for this or any SoundOff Signal product, visit our website at www.soundoffsignal.com/tech-services/returns/.

If you have questions regarding this product, contact **Technical Services**, Monday - Friday, 8 a.m. to 5 p.m. ET at 1.800.338.7337 (press #4).

Questions or comments that do not require immediate attention may be emailed to techservices@soundoffsignal.com.

SoundOff
Signal

1.800.338.7337 / www.soundoffsignal.com

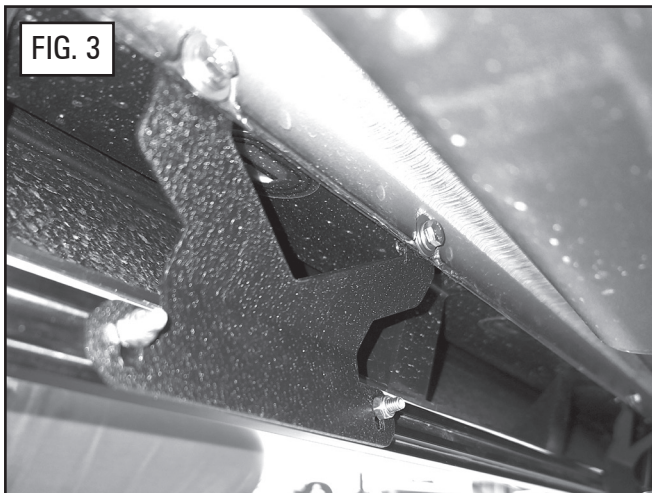
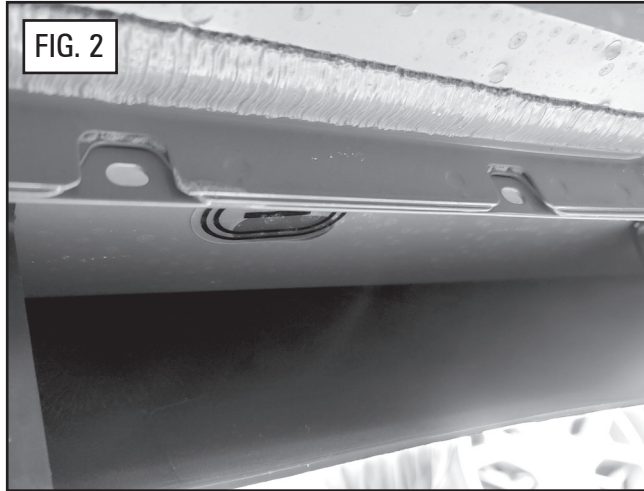
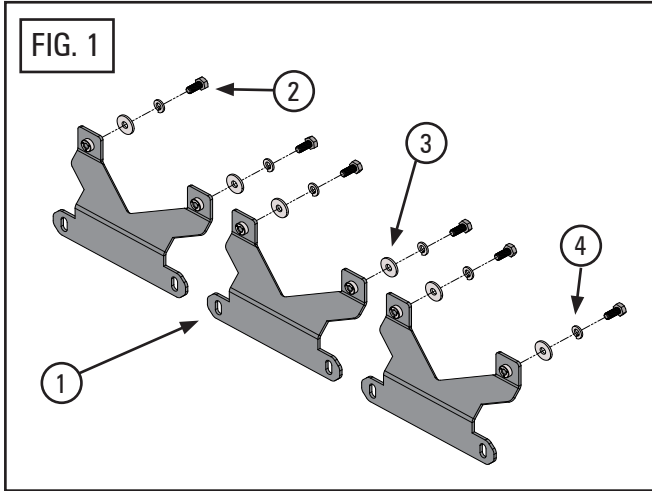
SoundOff Signal

2011 - 2023 DODGE DURANGO SL® MOUNTS
PSLVBK04

NOTE: THIS KIT ONLY SUPPORTS ONE LIGHT. MUST PURCHASE 2 HARDWARE KITS TO SUPPORT BOTH SIDES OF VEHICLE.

SUPPORTED PART NUMBERS FOR THIS BRACKET KIT
 ESLRL5004(x) - SL RUNNING LIGHT 4 MOD, SINGLE 50"
 ESLRL6105(x) - SL RUNNING LIGHT 5 MOD, SINGLE 61"
 ESLRL7306(x) - SL RUNNING LIGHT 6 MOD, SINGLE 72"

INSTALLATION CONTINUED:



CONTAINS		
#	QTY*	COMPONENT
1	3	2011-2022 DURANGO ROCKER BRACKET
2	6	M6x1x14mm HEX HEAD BOLTS
3	6	18-8 STAINLESS STEEL OVERSIZED WASH
4	6	SPLIT LOCK WASHER

NOTICE:

Installers and users must comply with all applicable federal, state and local laws regarding use and installation of warning devices.

Improper use or installation may void warranty coverage.

To review our Limited Warranty Statement & Return Policy for this or any SoundOff Signal product, visit our website at www.soundoffsignal.com/tech-services/returns/.

If you have questions regarding this product, contact **Technical Services**, Monday - Friday, 8 a.m. to 5 p.m. ET at 1.800.338.7337 (press #4).

Questions or comments that do not require immediate attention may be emailed to techservices@soundoffsignal.com.

SoundOff
Signal

1.800.338.7337 / www.soundoffsignal.com