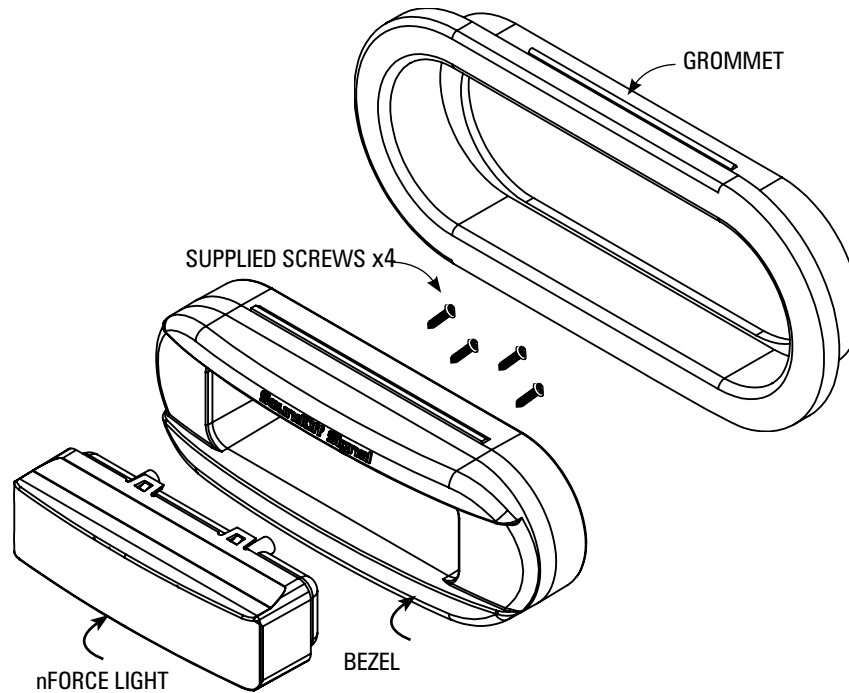




nFORCE 6" Oval Recess Mount Grommet & Housing
PART NUMBER - PNFLSRVMTB



INSTALLATION INSTRUCTIONS

1. Insert nFORCE Light into supplied housing and secure using the 4 supplied screws. Do not exceed 12 IN-LBF
2. Place grommet in hole
3. Insert bezel/light assembly into grommet, ensuring lip of bezel is fully engaged to groove of grommet



IMPORTANT INFORMATION:

Warning devices are strictly regulated and governed by Federal, State and Municipal ordinances. These devices shall be used ONLY on approved vehicles. It is the sole responsibility of the user of these devices to ensure compliance.

To review our Limited Warranty Statement & Return Policy for this or any SoundOff Signal product, visit our website at www.soundoffsignal.com/sales-support.

If you have questions regarding this product, contact **Technical Services**, Monday - Friday, 8 a.m. to 5 p.m. Eastern Time or during extended after hours coverage between 5 p.m. & 8 p.m. Eastern Time at **1.800.338.7337** (press #4 to skip the automated message).

Questions or comments that do not require immediate attention may be emailed to techservices@soundoffsignal.com.

SUPERIOR CUSTOMER RELATIONSHIPS. SMARTLY DESIGNED LIGHTING & ELECTRONIC SOLUTIONS.

