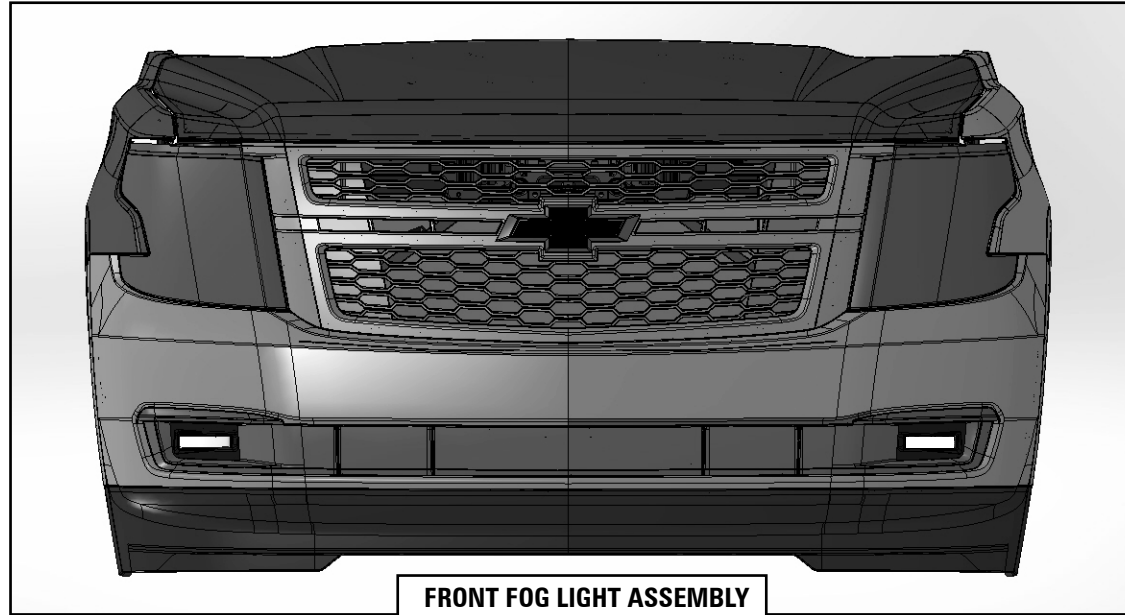


TAHOE FOG LIGHT ASSEMBLY

PNFSLFKTTH (for 2015-2020 model years)



FRONT FOG LIGHT ASSEMBLY
-DRIVER/ PASSENGER-

⚠ WARNING

- HIGH CURRENT interconnects must be properly terminated. Poor crimp quality can cause heat build-up and fire. Follow crimp connector manufacturer instructions.
- DO NOT install this product or route any wires in the Air Bag Deployment Zone. Refer to vehicle Owner's Manual for deployment zones.
- Do NOT use system to disconnect headlights, brake lights or other safety equipment.
- Unit may become hot to touch during normal operation.
- Failure to properly install connectors, fuses or wiring may cause vehicle failure or fire.
- Installation must only be performed by trained technician. Installer must determine vehicle wiring configuration and proper integration of system.
- Use proper wire gauge. All power wires connecting to positive (+) or negative (-) battery terminal or local chassis ground (-) must be sized to supply at least 125% of max. current and properly fused at power source.
- Install protective grommets when routing wire through firewall or metal.

TECHNICAL SPECIFICATIONS

Material:	Plastic molded bezel, Black finish
Dimensions (bracket only):	8.00"H x 11.00"W x 7.00"D

NOTICE:

Installers and users must comply with all applicable federal, state and local laws regarding use and installation of warning devices.

Improper use or installation may void warranty coverage.

To review our Limited Warranty Statement & Return Policy for this or any SoundOff Signal product, visit our website at www.soundoffsignal.com/tech-services/returns/.

If you have questions regarding this product, contact **Technical Services**, Monday - Friday, 8 a.m. to 5 p.m. ET at 1.800.338.7337 (press #4).

Questions or comments that do not require immediate attention may be emailed to techservices@soundoffsignal.com.



1.800.338.7337 / www.soundoffsignal.com

ENHANCING SAFETY THROUGH INNOVATION

TAHOE FOG LIGHT ASSEMBLY

PNFSLFLKTTH (for 2015-2020 model years)

STEP 1

REMOVE FRONT BUMPER COVER ASSEMBLY AS ONE PIECE AND NOT INDIVIDUALLY.
CONSULT A LOCAL GM SERVICE CENTER FOR BEST DISASSEMBLY METHOD.

-KEEP ALL HARDWARE-

STEP 2

REMOVE THE 4 SCREWS THAT HOLD THE FACTORY
FOG LIGHT BEZEL AND PROCEED TO STEP 3 AND 4
FOR THE ASSEMBLY PROCEDURE.

4X SCREWS
- DO NOT DISCARD-

FOG LIGHT ASSEMBLY
-DRIVER SIDE SHOWN-

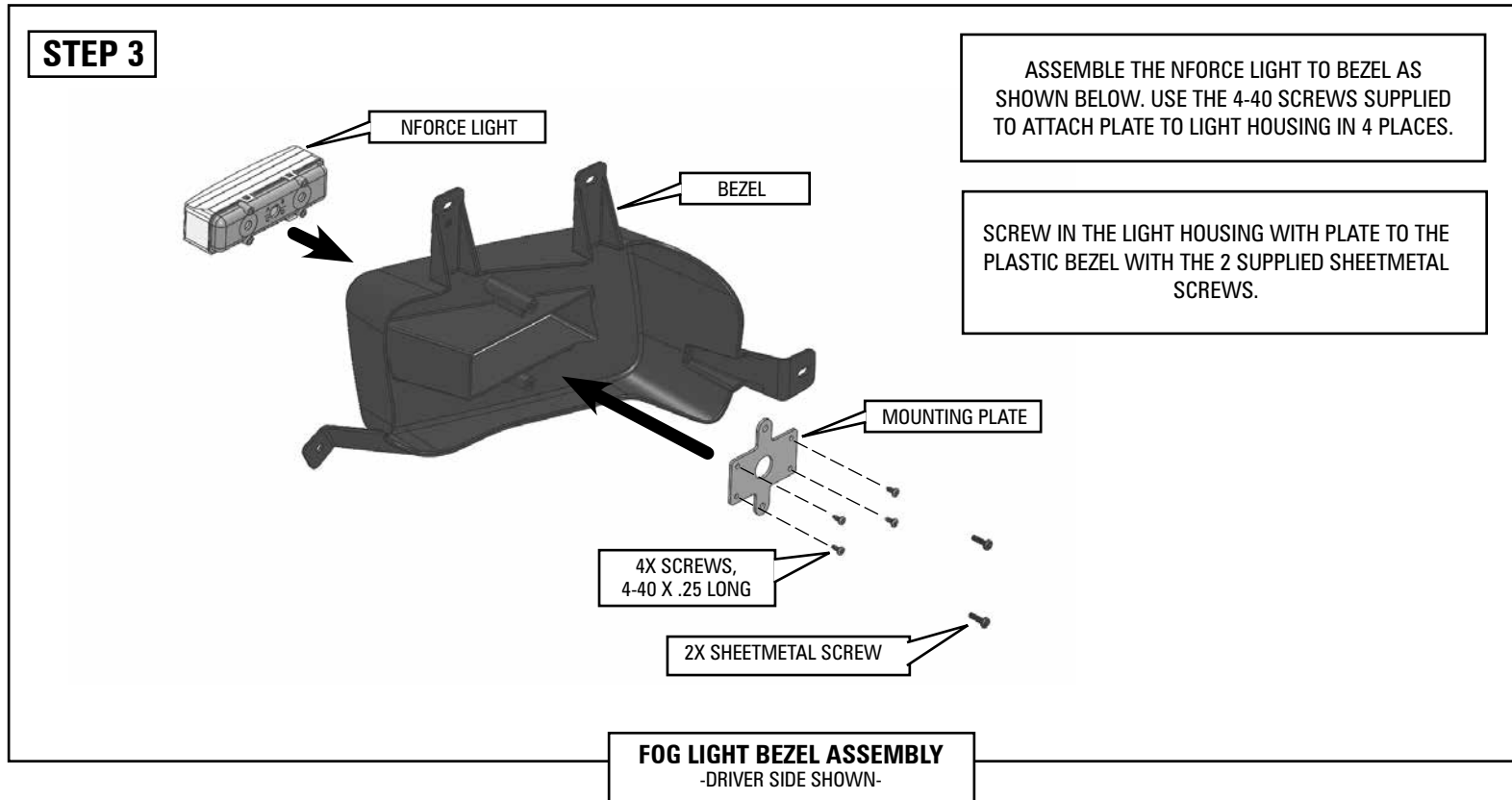
REAR VIEW OF FRONT BUMPER
-DRIVER SIDE-

SoundOff
Signal 

1.800.338.7337 / www.soundoffsignal.com

TAHOE FOG LIGHT ASSEMBLY

PNFSLFLKTTH (for 2015-2020 model years)



STEP 4

RE-ASSEMBLE THE BEZEL TO THE FRONT BUMPER IN REVERSE ORDER AND REUSE THE EXISTING HARDWARE THAT WAS REMOVED ON STEP 2.

STEP 5

MAKE ALL ELECTRICAL CONNECTIONS. REFER TO THE INSTRUCTION SHEET SUPPLIED WITH THE LIGHTS.

SoundOff
Signal

1.800.338.7337 / www.soundoffsignal.com