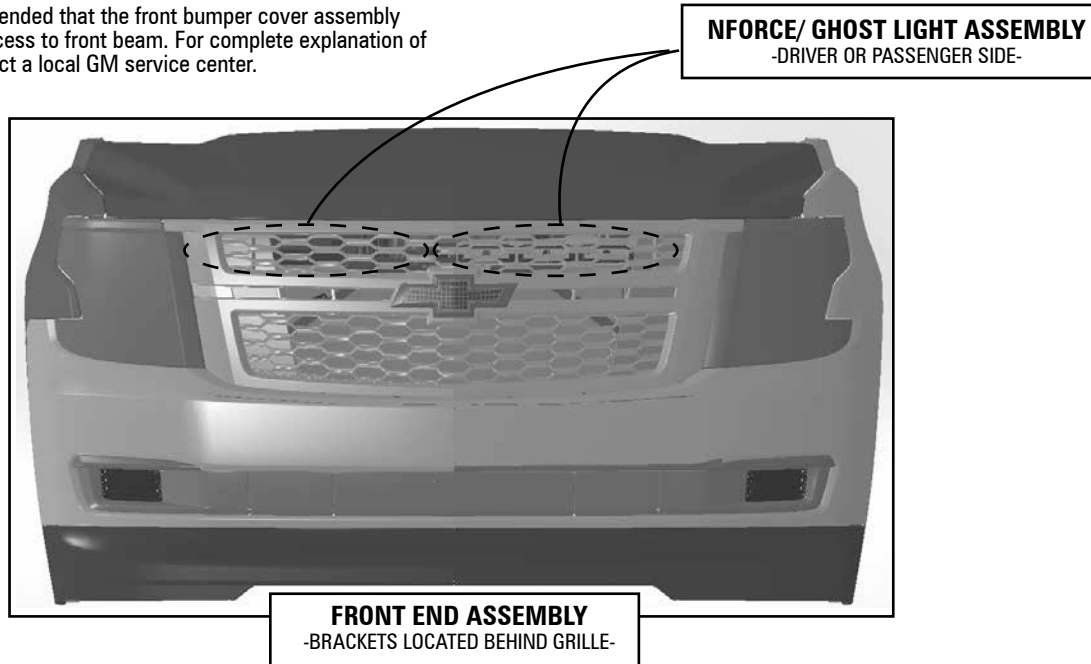


TAHOE FRONT NFORCE®/ GHOST® GRILLE BRACKETS

PNFSLDGSB-TH (for 2015-2020 model years)

Note: It is recommended that the front bumper cover assembly be removed for access to front beam. For complete explanation of disassembly contact a local GM service center.



⚠ WARNING

- HIGH CURRENT interconnects must be properly terminated. Poor crimp quality can cause heat build-up and fire. Follow crimp connector manufacturer instructions.
- DO NOT install this product or route any wires in the Air Bag Deployment Zone. Refer to vehicle Owner's Manual for deployment zones.
- Do NOT use system to disconnect headlights, brake lights or other safety equipment.
- Unit may become hot to touch during normal operation.
- Failure to properly install connectors, fuses or wiring may cause vehicle failure or fire.
- Installation must only be performed by trained technician. Installer must determine vehicle wiring configuration and proper integration of system.
- Use proper wire gauge. All power wires connecting to positive (+) or negative (-) battery terminal or local chassis ground (-) must be sized to supply at least 125% of max. current and properly fused at power source.
- Install protective grommets when routing wire through firewall or metal.

NOTICE:

Installers and users must comply with all applicable federal, state and local laws regarding use and installation of warning devices.

Improper use or installation may void warranty coverage.

To review our Limited Warranty Statement & Return Policy for this or any SoundOff Signal product, visit our website at www.soundoffsignal.com/tech-services/returns/.

If you have questions regarding this product, contact **Technical Services**, Monday - Friday, 8 a.m. to 5 p.m. ET at 1.800.338.7337 (press #4).

Questions or comments that do not require immediate attention may be emailed to techservices@soundoffsignal.com.

INSTALLATION:

- 1) Front bumper cover assembly must be removed to install front nForce/ Ghost light bracket assemblies. Assembly of bumper should be removed as one piece and not individually. Consult a local GM service center for best disassembly method. Keep all hardware.
- 2) Mount the brackets for the light assemblies using the exciting hole locations with the supplied hardware kit. See figure 1.
- 3) Insert the supplied 1/4-20 clip nuts. Bolt on bracket in 3 locations with the 1/4-20 bolts. As shown as figure 2.
- 4) Assemble Ghost or nForce lights to brackets with the supplied hardware. As shown on figure 3.
- 5) Make electrical connections. Refer to the instruction sheet supplied with the light.

TECHNICAL SPECIFICATIONS

Material:	Steel with powder coated black finish
Dimensions (bracket only):	3.22"H x 19.25"W x 0.07"D

**SoundOff
Signal** 

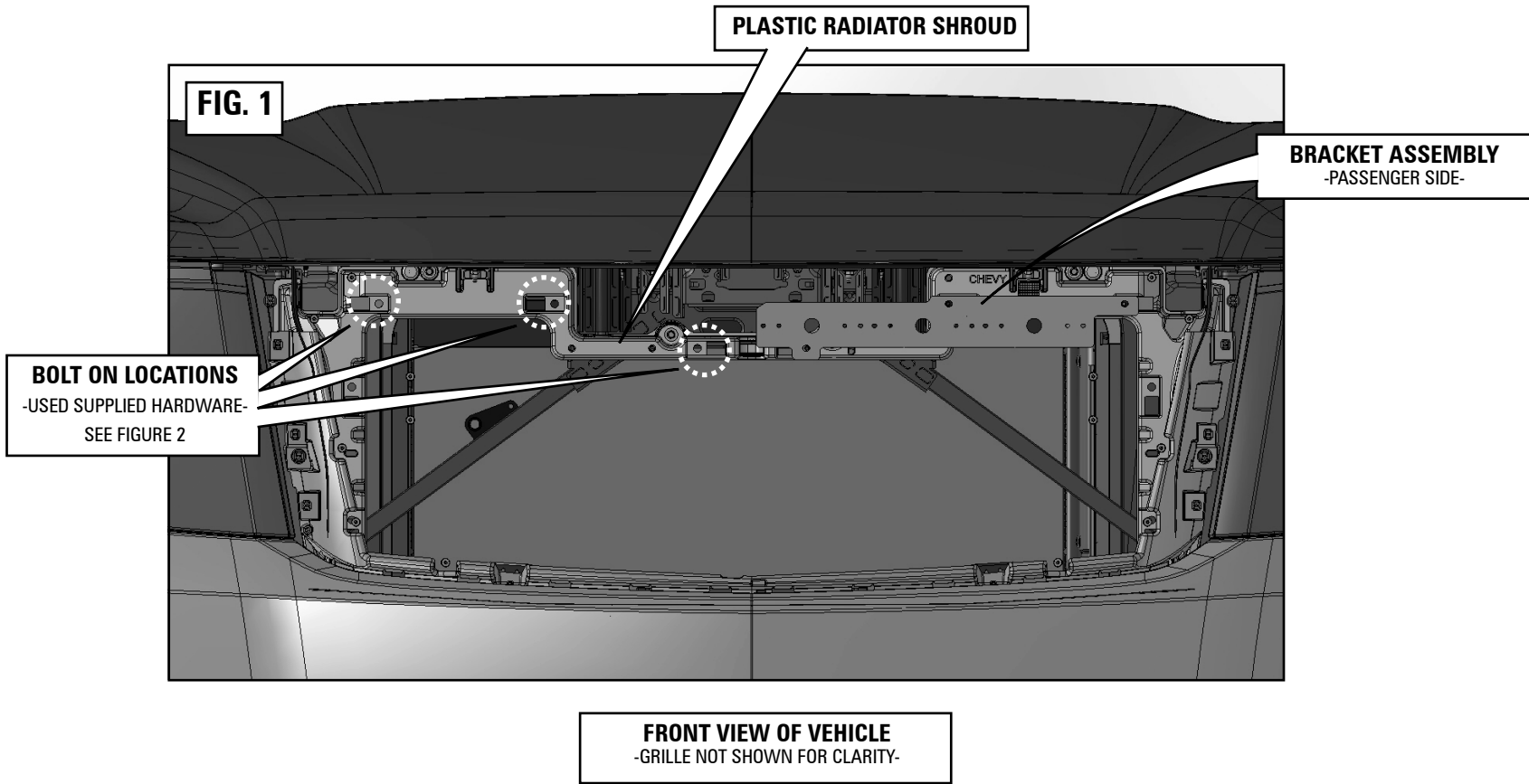
1.800.338.7337 / www.soundoffsignal.com

ENHANCING SAFETY THROUGH INNOVATION

TAHOE FRONT NFORCE®/ GHOST® GRILLE BRACKETS

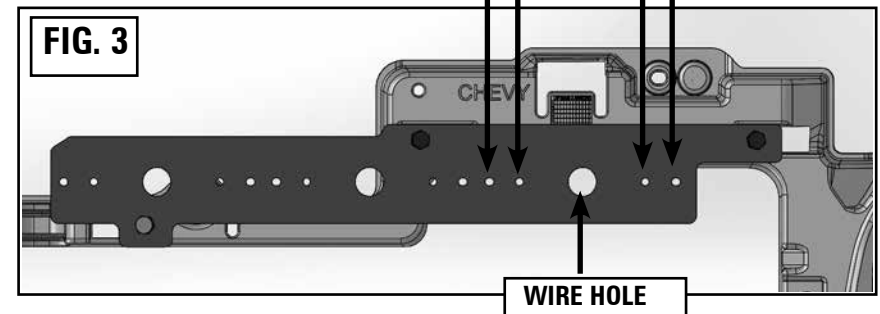
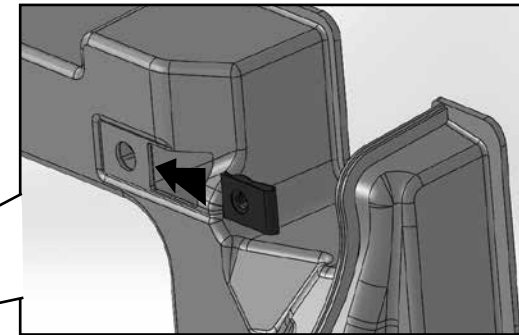
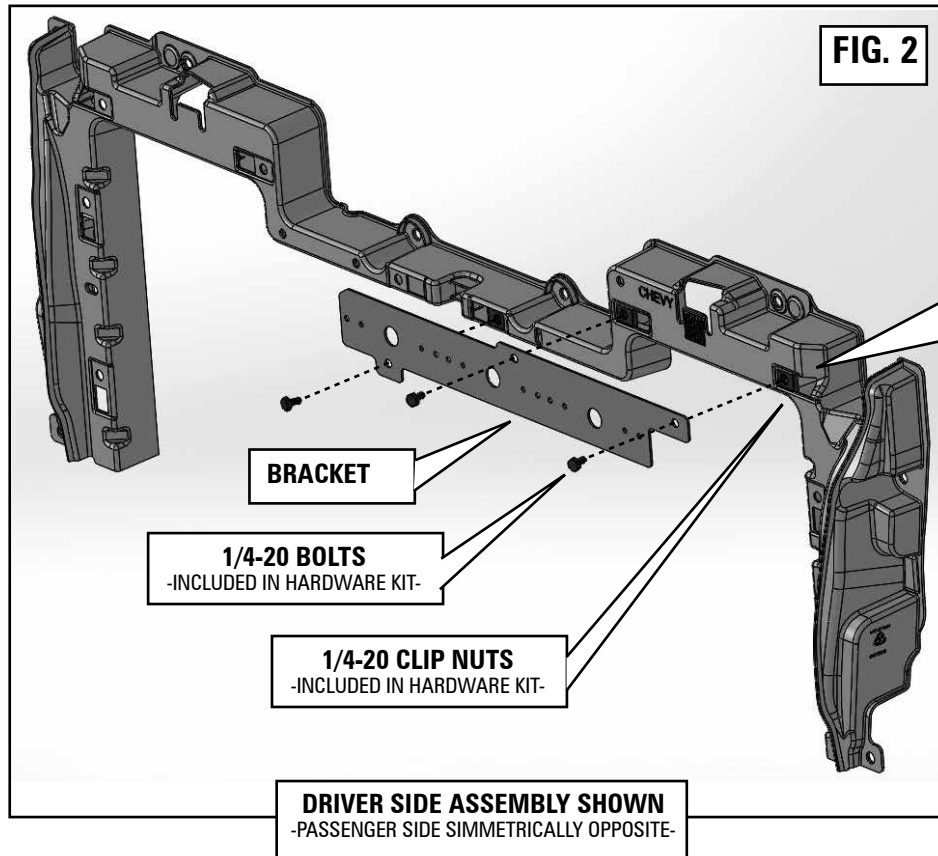
PNFSLDGSB-TH (for 2015-2020 model years)

NOTE:
BRACKETS PROVIDED ARE SIMMETRICAL.
THEY CAN BE USED ON BOTH PASSENGER
AND DRIVER SIDE APPLICATIONS.



TAHOE FRONT NFORCE®/ GHOST® GRILLE BRACKETS

PNFSLDGSB-TH (for 2015-2020 model years)



SoundOff
Signal

1.800.338.7337 / www.soundoffsignal.com