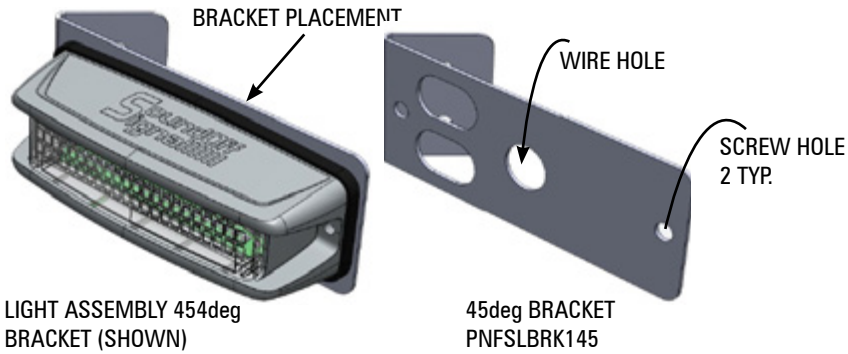




SINGLE SURFACE MOUNT BRACKETS

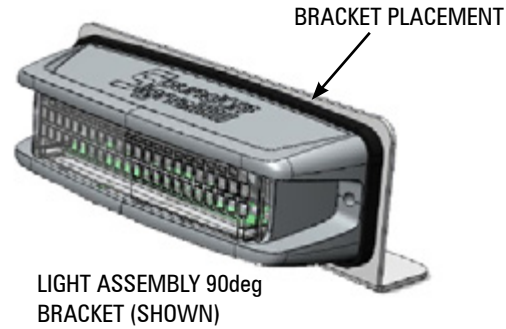
PNFSLBRK145 - 45deg BRACKET

PNFSLBRK190 - 90deg BRACKET

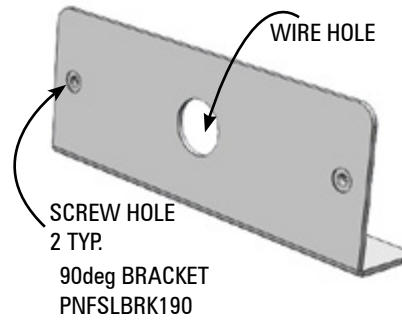


LIGHT ASSEMBLY 454deg BRACKET (SHOWN)

45deg BRACKET PNFSLBRK145



LIGHT ASSEMBLY 90deg BRACKET (SHOWN)

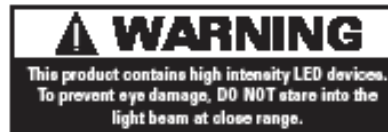


90deg BRACKET PNFSLBRK190

⚠ WARNING

Please see reverse for Technical Specifications

- HIGH CURRENT interconnects must be properly terminated. Poor crimp quality can cause heat build-up and fire. Follow crimp connector manufacturer instructions.
- DO NOT install this product or route any wires in the Air Bag Deployment Zone. Refer to vehicle Owner's Manual for deployment zones.
- Do NOT use system to disconnect headlights, brake lights or other safety equipment.
- Unit may become hot to touch during normal operation.
- Failure to properly install connectors, fuses or wiring may cause vehicle failure or fire.
- Installation must only be performed by trained technician. Installer must determine vehicle wiring configuration and proper integration of system.
- Use proper wire gauge. All power wires connecting to positive (+) or negative (-) battery terminal or local chassis ground (-) must be sized to supply at least 125% of max. current and properly fused at power source.
- Install protective grommets when routing wire through firewall or metal.



NOTICE:

Installers and users must comply with all applicable federal, state and local laws regarding use and installation of warning devices.

*Improper use or installation may void warranty coverage. To review our Limited Warranty Statement & Return Policy for this or any SoundOff Signal product, visit our website at www.soundoffsignal.com/sales-support. If you have questions regarding this product, contact **Technical Services**, Monday - Friday, 8 a.m. to 5 p.m. or after hours 5 p.m. to 8 p.m. EST at 1.800.338.7337 (press #4 to skip the automated message). Questions or comments that do not require immediate attention may be emailed to techservices@soundoffsignal.com.*

INSTALLATION:

- 1) Establish a position on the vehicle on a level surface. Orient the light output level on the horizon.
- 2) Use the gasket provided as a template to mark locations of wire and mounting screws.
- 3) Use a 5/8" diameter drill for the wire holes
- 4) Size pilot holes for mounting screws appropriate
- 5) Fasten light using bezel and mounting screws. Do not torque mounting screws beyond 20in - lbs.

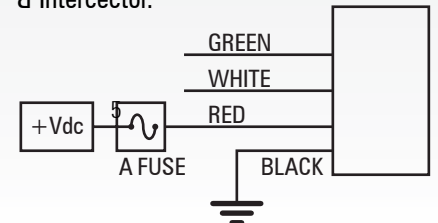
INFORMATION FOR NEXUS SECONDARY:

WIRE HOOK-UP TABLE

WIRE COLOR:	FUNCTION:
RED	Power
BLACK	Ground
**GREEN	Sync2 *
WHITE to Ground	Pattern Select/ Setup
WHITE to Power	Secondary Function -see page 2-

** To sync multiple NForce™ lights, connect the Green wires from each light together.

* Will NOT work w/ other sync products such as Ghost, LED3, & Interceptor.





SLAVE MODE

The NFORCE™ is capable of being activated through the use of a user supplied flasher by putting it in Slave Mode.

1. Permanently connect the NFORCE™ WHITE and BLACK wire to a good, convenient ground.
2. Connect the NFORCE™ RED wire, through a 5amp fuse, to the output of a +10-16Vdc switching flasher.

PATTERN SELECT & SYNC CONFIGURATION INSTRUCTIONS

Connecting the WHITE wire to power will allow you to use the secondary feature on your Nexus Secondary Light.

SECONDARY FUNCTION:

- 1-color module = Cruise Mode (10% brightness, non - flashing)
- 2 & 3 - color modules = Takedown (100% Steady - burn)
 - For 2-color modules this is the 2nd color
 - For 3-color modules, this is the 3rd color

SETUP LIGHTS:

- Sequence type -1 or 2. The modules will flash simultaneously if they are set to the same number. The modules will have an alternate flash if set to different numbers.
- Color swap - Off or On. 2-color and 3-color modules, it changes which color flashes first.

This is useful when syncing multiple lights

TECHNICAL SPECIFICATIONS		
DECK/ GRILL MOUNT NEXUS		
Single Mount Dimensions:	5.0"L x 1.88"H x 1.82"D	
Input Voltage:	10 - 16 Vdc or 10 - 30 Vdc *	
CURRENT CONSUMPTION		
	10-16 Vdc	10-30 Vdc *
6, 12 Split & 18 Tri-Color	<1.0A @12.8 Vdc	<0.6A @25.6 Vdc
9 LED Single Color	<1.5A @ 12.8 Vdc	<0.9A @ 25.6 Vdc
12 LED Single Color	<2.0A @12.8 Vdc	<1.2A @ 25.6 Vdc

* - Special Order

AFTER POWER IS ON, touching the WHITE wire to the ground will allow you to change various setting on the module.

SECONDS		USER INTERFACE	
FROM	TO	VISUAL FEEDBACK	ACTION TAKEN
0	1	STEADY-HIGH (60%)	FORWARD ONE PATTERN
1	2	STEADY-LOW (30%)	BACKWARD ONE PATTERN
2	3	OFF	COLOR SWAP (OFF OR ON)
3	4	STEADY - HIGH (60%)	SEQUENCE TYPE (1 OR 2)
4	5	STEADY - LOW (30%)	RESET TO PATTERN 1
5	6	OFF	FACTORY RESET (PATTERN 1, COLOR SWAP: OFF, SEQUENCE TYPE: 1)

If held longer than 6 seconds, the light will go back to flashing the current pattern and no action will be taken.





PATTERN LIST

1 COLOR MODULE PATTERNS		
# COLORS	NUMBER	NAME
1	1	QUINT
	2	WARP
	3	INTER-CYCLE
	4	DOUBLE
	5	QUAD
	6	POWER PULSE
	7	ROAD RUNNER
	8	Q-SWITCH
	9	STEADY-BURN DRIVER ROADRUNNER (SEQUENCE TYPE 1: STEADY BURN, SEQUENCE TYPE 2: ROADRUNNER)
	10	STEADY-BURN DRIVER TITLE 13 QUAD (SEQUENCE TYPE 1: STEADY BURN, SEQUENCE TYPE 2: TITLE 13 QUAD)
	11	QUAD 2
	12	DOUBLE 2

2 COLOR MODULE PATTERNS		
# COLORS	NUMBER	NAME
2	1	QUINT
	2	WARP
	3	INTER-CYCLE
	4	DOUBLE
	5	QUAD
	6	POWER PULSE
	7	ROAD RUNNER
	8	Q-SWITCH
	9	STEADY-BURN DRIVER ROADRUNNER (SEQUENCE TYPE 1: STEADY BURN, SEQUENCE TYPE 2: ROADRUNNER)
	10	STEADY-BURN DRIVER TITLE 13 QUAD (SEQUENCE TYPE 1: STEADY BURN, SEQUENCE TYPE 2: TITLE 13 QUAD)
	11	QUAD 2
	12	DOUBLE 2
1	13	QUINT
	14	WARP
	15	INTER-CYCLE
	16	DOUBLE
	17	QUAD
	18	POWER PULSE
	19	ROAD RUNNER
	20	Q-SWITCH
	21	STEADY-BURN DRIVER ROADRUNNER (SEQUENCE TYPE 1: STEADY BURN, SEQUENCE TYPE 2: ROADRUNNER)
	22	STEADY-BURN DRIVER TITLE 13 QUAD (SEQUENCE TYPE 1: STEADY BURN, SEQUENCE TYPE 2: TITLE 13 QUAD)
	23	QUAD 2
	24	DOUBLE 2

3 COLOR MODULE PATTERNS		
# COLORS	NUMBER	NAME
3	1	QUINT
	2	WARP
	3	INTER-CYCLE
	4	DOUBLE
	5	QUAD
	6	POWER PULSE
	7	ROAD RUNNER
	8	Q-SWITCH
	9	STEADY-BURN DRIVER ROADRUNNER (SEQUENCE TYPE 1: STEADY BURN, SEQUENCE TYPE 2: ROADRUNNER)
	10	STEADY-BURN DRIVER TITLE 13 QUAD (SEQUENCE TYPE 1: STEADY BURN, SEQUENCE TYPE 2: TITLE 13 QUAD)
	11	QUAD 2
	12	DOUBLE 2
2	13	QUINT
	14	WARP
	15	INTER-CYCLE
	16	DOUBLE
	17	QUAD
	18	POWER PULSE
	19	ROAD RUNNER
	20	Q-SWITCH
	21	STEADY-BURN DRIVER ROADRUNNER (SEQUENCE TYPE 1: STEADY BURN, SEQUENCE TYPE 2: ROADRUNNER)
	22	STEADY-BURN DRIVER TITLE 13 QUAD (SEQUENCE TYPE 1: STEADY BURN, SEQUENCE TYPE 2: TITLE 13 QUAD)
	23	QUAD 2
	24	DOUBLE 2

