

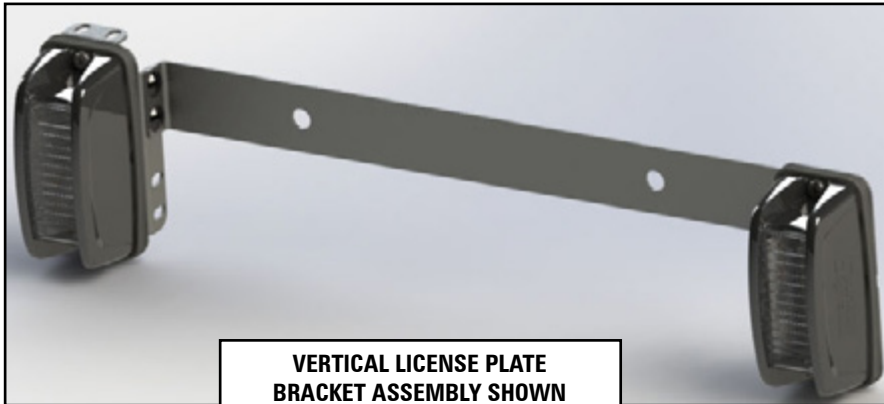


SINGLE SURFACE MOUNT BRACKET

**PNFFTBRK2LP- LICENSE PLATE BRACKET
HORIZONTAL & VERTICAL MOUNT**

The SoundOff Signal license plate bracket are designed to fit under the rear license plate and support 2 nForce FIT lights (**NOT INCLUDED**)

The nForce FIT light is designed to mount the lights horizontally and also allows the lights to be mounted vertically.



**VERTICAL LICENSE PLATE
BRACKET ASSEMBLY SHOWN
-SEE PAGE 2 FOR PROPER MOUNTING-**



**HORIZONTAL LICENSE PLATE
BRACKET ASSEMBLY**

INSTALLATION INSTRUCTIONS:

- 1) Remove license plate from vehicle
- 2) Determine whether you want to mount the light inward (toward the license plate) or outward (away from the license plate).
- 3) Determine the location where you want the power cable to exit the vehicle and drill a 5/16" hole for wire routing.
- 4) Screw nForce FIT light to adapter plate as shown using supplied screws.
- 5) Screw adapter plate (with mounted nForce Fit light) to base mounting bracket using supplied screws. **See page 2 before proceeding to step 6.**
- 6) Route wires through hole created in step 3.
- 7) Fasten bracket with license plate on top to vehicle using license plate screws removed in step 1. Extra holes are provided for heavy duty mounting.
- 8) Wire the lights according to the nForce FIT instructions.



IMPORTANT INFORMATION:

Warning devices are strictly regulated and governed by Federal, State and Municipal ordinances. These devices shall be used ONLY on approved vehicles. It is the sole responsibility of the user of these devices to ensure compliance.

To review our *Limited Warranty Statement & Return Policy* for this or any SoundOff Signal product, visit our website at www.soundoffsignal.com/sales-support.
If you have questions regarding this product, contact **Technical Services**, Monday - Friday, 8 a.m. to 5 p.m. at **1.800.338.7337** (press #4 to skip the automated message).
Questions or comments that do not require immediate attention may be emailed to techservices@soundoffsignal.com.

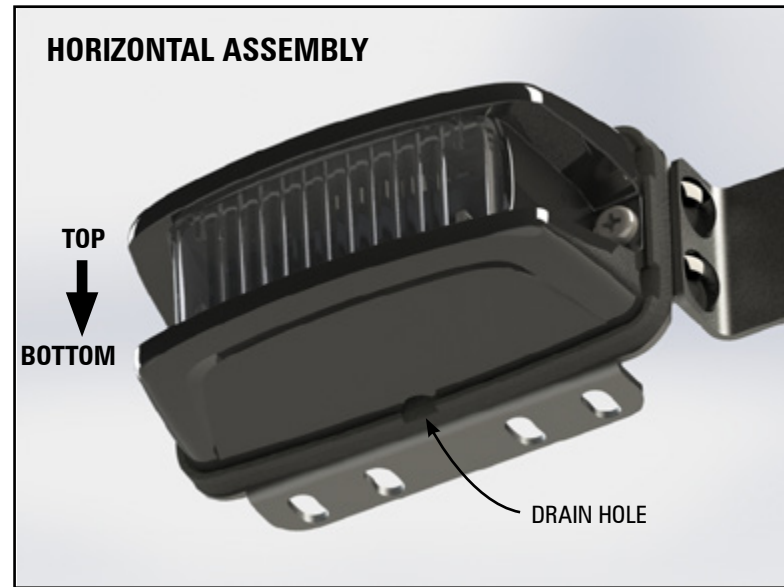
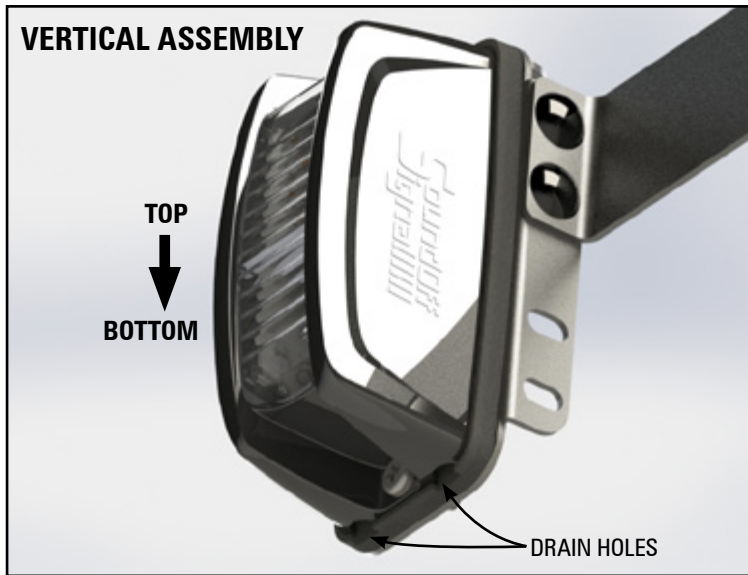
SUPERIOR CUSTOMER RELATIONSHIPS. SMARTLY DESIGNED LIGHTING & ELECTRONIC SOLUTIONS.



SINGLE SURFACE MOUNT BRACKET

PNFFTBRK2LP- LICENSE PLATE BRACKET

HORIZONTAL & VERTICAL MOUNT



IMPORTANT
VERIFY THAT THE DRAIN HOLES ON BOTH THE GASKET AND LIGHT HOUSING ARE LINED UP AND FACING DOWN FOR VERTICAL/ HORIZONTAL MOUNTING APPLICATIONS, AS SHOWN ABOVE

IMPORTANT INFORMATION:

Warning devices are strictly regulated and governed by Federal, State and Municipal ordinances. These devices shall be used ONLY on approved vehicles. It is the sole responsibility of the user of these devices to ensure compliance.

To review our *Limited Warranty Statement & Return Policy* for this or any SoundOff Signal product, visit our website at www.soundoffsignal.com/sales-support.
If you have questions regarding this product, contact **Technical Services**, Monday - Friday, 8 a.m. to 5 p.m. at **1.800.338.7337** (press #4 to skip the automated message).
Questions or comments that do not require immediate attention may be emailed to techservices@soundoffsignal.com.