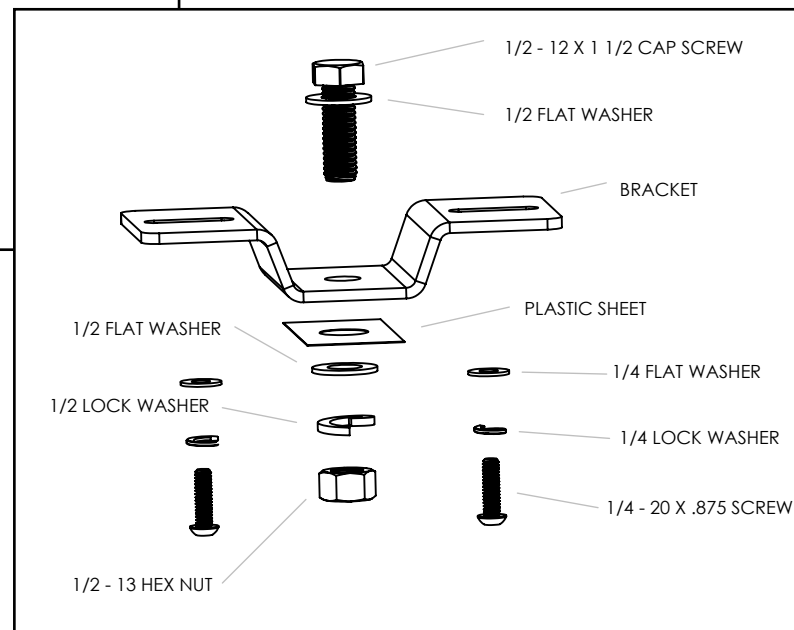
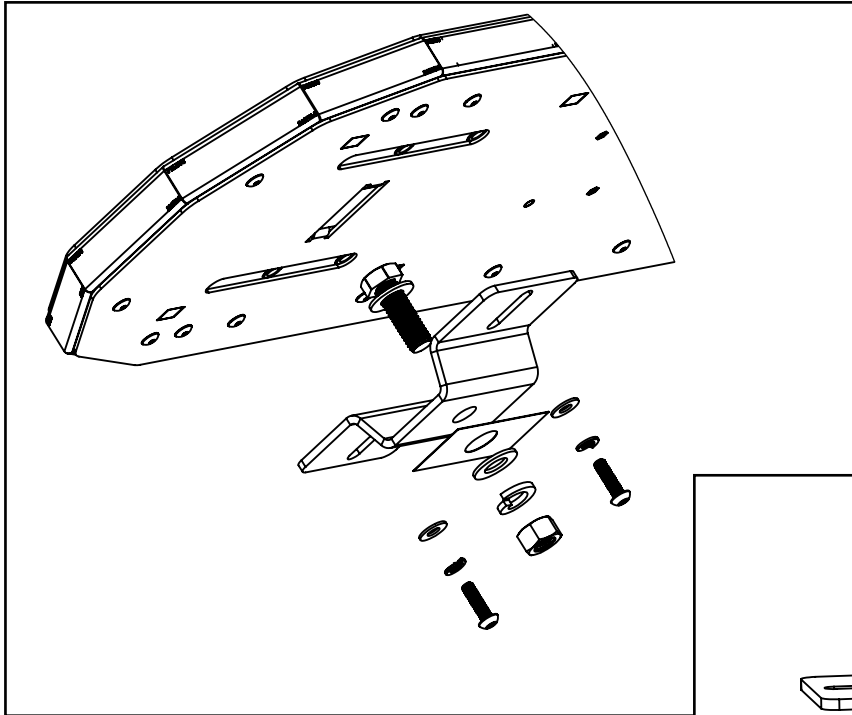




## PMPLBK06 - LB HEADACHE RACK MOUNT



### Headache Rack Mount

#### Installation Instructions:

1. INSERT 1/2" HEX BOLT AND 1 X 1/2 FLAT WASHER INTO BRACKET.
2. PLACE BRACKET OVER SCREW HOLES IN UNDERSIDE OF LIGHT BAR.
3. PLACE 1/4 LOCK WASHER AND 1/4 FLAT WASHER OVER 1/4-20 SCREW, INSERT INTO BRACKET AND SCREW UNTIL SNUG, DO NOT TIGHTEN.
4. PLACE LIGHTBAR AND BRACKET ASSEMBLY ON MOUNTING SURFACE TO CHECK FIT OF 1/2" BOLTS.
5. MEASURE AND DRILL APROPRIATE SIZED HOLES IN MOUNTING SURFACE.
6. PLACE LIGHTBAR AND BRACKET ASSEMBLY INTO HOLES, INSTALL PLASTIC SPACER, 1/2" FLAT WASHER AND 1/2" LOCK WASHER AND 1/2" HEX BOLT AND TIGHTEN BRACKET TO MOUNTING SURFACE.
7. TIGHTEN 1/4" SCREWS TO 40 in/lbs. DO NOT OVER TIGHTEN.

#### NOTICE:

Installers and users must comply with all applicable federal, state and local laws regarding use and installation of warning devices.

Improper use or installation may void warranty coverage. To review our Limited Warranty Statement & Return Policy for this or any SoundOff Signal product, visit our website at [www.soundoffsignal.com/sales-support](http://www.soundoffsignal.com/sales-support). If you have questions regarding this product, contact **Technical Services**, Monday - Friday, 8 a.m. to 5 p.m. or after hours 5 p.m. to 8 p.m. EST at 1.800.338.7337 (press #4 to skip the automated message). Questions or comments that do not require immediate attention may be emailed to [techservices@soundoffsignal.com](mailto:techservices@soundoffsignal.com).

SUPERIOR CUSTOMER RELATIONSHIPS. SMARTLY DESIGNED LIGHTING & ELECTRONIC SOLUTIONS.