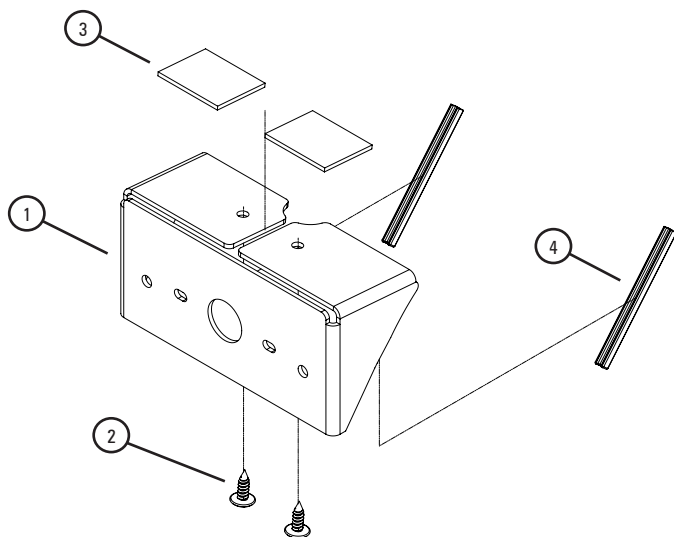


PMP2BKUMB4 2020 Ford PI Utility Under Mirror Mount Bracket Kit (each)

For Intersector Surface Mount & mpower® 3" and 4" Stud or Quick Mount



⚠ WARNING

- HIGH CURRENT interconnects must be properly terminated. Poor crimp quality can cause heat build-up and fire. Follow crimp connector manufacturer instructions.
- DO NOT install this product or route any wires in the Air Bag Deployment Zone. Refer to vehicle Owner's Manual for deployment zones.
- Do NOT use system to disconnect headlights, brake lights or other safety equipment.
- Unit may become hot to touch during normal operation.
- Failure to properly install connectors, fuses or wiring may cause vehicle failure or fire.
- Installation must only be performed by trained technician. Installer must determine vehicle wiring configuration and proper integration of system.
- Use proper wire gauge. All power wires connecting to positive (+) or negative (-) battery terminal or local chassis ground (-) must be sized to supply at least 125% of max. current and properly fused at power source.
- Install protective grommets when routing wire through firewall or metal.

SoundOff
Signal

1.800.338.7337 / www.soundoffsignal.com

1

Intersector Surface Mount Light Features:

- Light has separate control functionality and is sync compatible with nFORCE products
- Available in Dual or Tricolor
- Allows color to be set to flash or steady-burn
- Multiple housing colors available

mpower® Fascia Light Features:

- 3" and 4", Stud Mount and Quick Mount Options available
- Collaboration with Dow Corning® to develop ClearDuty™ optical design
- Greater resistance to gravel pitting, scratching, or cracking
- Improved sealing to prevent water from entering light
- Higher UV and thermal stability to prevent lens from yellowing over time

PART#	YEAR, MAKE, AND MODEL	COMPATIBILITY
PMP2BKUMB4	2020 Ford PI Utility	Surface Mount Intersector 3" or 4" mpower®, Stud or Quick Mount

CONTENTS		
#	QTY	COMPONENT
1	1	90 DEGREE BRACKET INTERSECTOR
2	2	#8 X.50 SM TRUSSHEAD PHILLIPS
3	1	3M DOUBLE SIDED TAPE VHB
4	1	THIN GASKET MATERIAL (6")
5	1	SURFACE PREP WIPE

NOTICE:

Installers and users must comply with all applicable federal, state and local laws regarding use and installation of warning devices.

Improper use or installation may void warranty coverage.

To review our Limited Warranty Statement & Return Policy for this or any SoundOff Signal product, visit our website at www.soundoffsignal.com/tech-services/returns/.

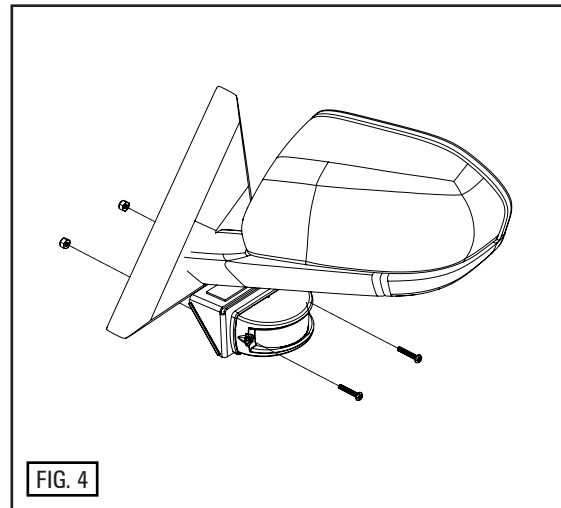
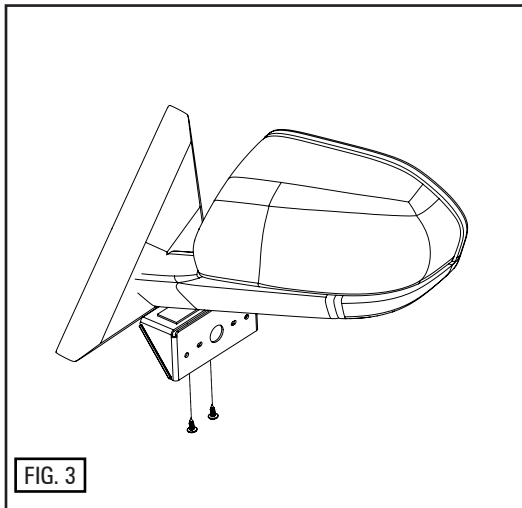
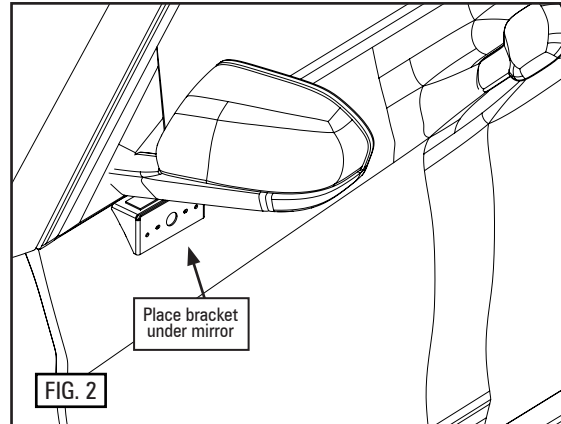
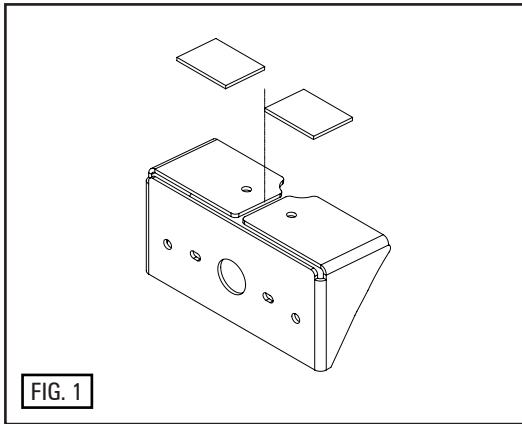
If you have questions regarding this product, contact **Technical Services**, Monday - Friday, 8 a.m. to 5 p.m. ET at 1.800.338.7337 (press #4).

Questions or comments that do not require immediate attention may be emailed to techservices@soundoffsignal.com.

ENHANCING SAFETY THROUGH INNOVATION

PMP2BKUMB4 2020 Ford PI Utility Under Mirror Mount Bracket Kit (each)

For Intersector Surface Mount & mpower® 3" and 4" Stud or Quick Mount



INSTALLATION

1. Clean the top of the bracket and the underside of the vehicle mirror with alcohol pad to ensure a clean mounting surface.
2. Cut the VHB adhesive in half. Apply cut VHB adhesive to the top of the mounting bracket, as seen in FIG. 1.

NOTE: MAKE SURE THE MOUNTING HOLES ARE NOT COVERED BY THE VHB STRIP

3. Cut the Thin Gasket material in half (3") and apply to the edge of the bracket that rests on vehicles paint.

NOTE: WHILE MOUNTING THE BRACKET ENSURE THE LIGHT IS PARALLEL TO THE GROUND.

4. Mount the bracket to the under side of the mirror in the desired position. Make sure the bracket is not resting on the painted surface. Apply pressure for 30 seconds to ensure bracket is attached to mirror, as seen in FIG. 2.
5. Remove the mirror housing from vehicle according to the manufacturer specs.
6. Using the screws holes in bracket as a guide, drill holes for the stainless screws with a 7/64" drill bit (be careful not to damage wiring in mirror housing.) Install provided stainless screws through bracket into mirror housing. Tighten until screw is snug, as seen in FIG. 3.
7. Mount light onto bracket with hardware provided with the light and run wires into mirror. A hole may need to be drilled to create a path for the wires, as seen in FIG. 4.
8. Re-install the mirror and tighten to manufacturer specs.

NOTICE:

Installers and users must comply with all applicable federal, state and local laws regarding use and installation of warning devices.

Improper use or installation may void warranty coverage.

To review our Limited Warranty Statement & Return Policy for this or any SoundOff Signal product, visit our website at www.soundoffsignal.com/tech-services/returns/.

If you have questions regarding this product, contact **Technical Services**, Monday - Friday, 8 a.m. to 5 p.m. ET at 1.800.338.7337 (press #4).

Questions or comments that do not require immediate attention may be emailed to techservices@soundoffsignal.com.

**SoundOff
Signal** 

1.800.338.7337 / www.soundoffsignal.com