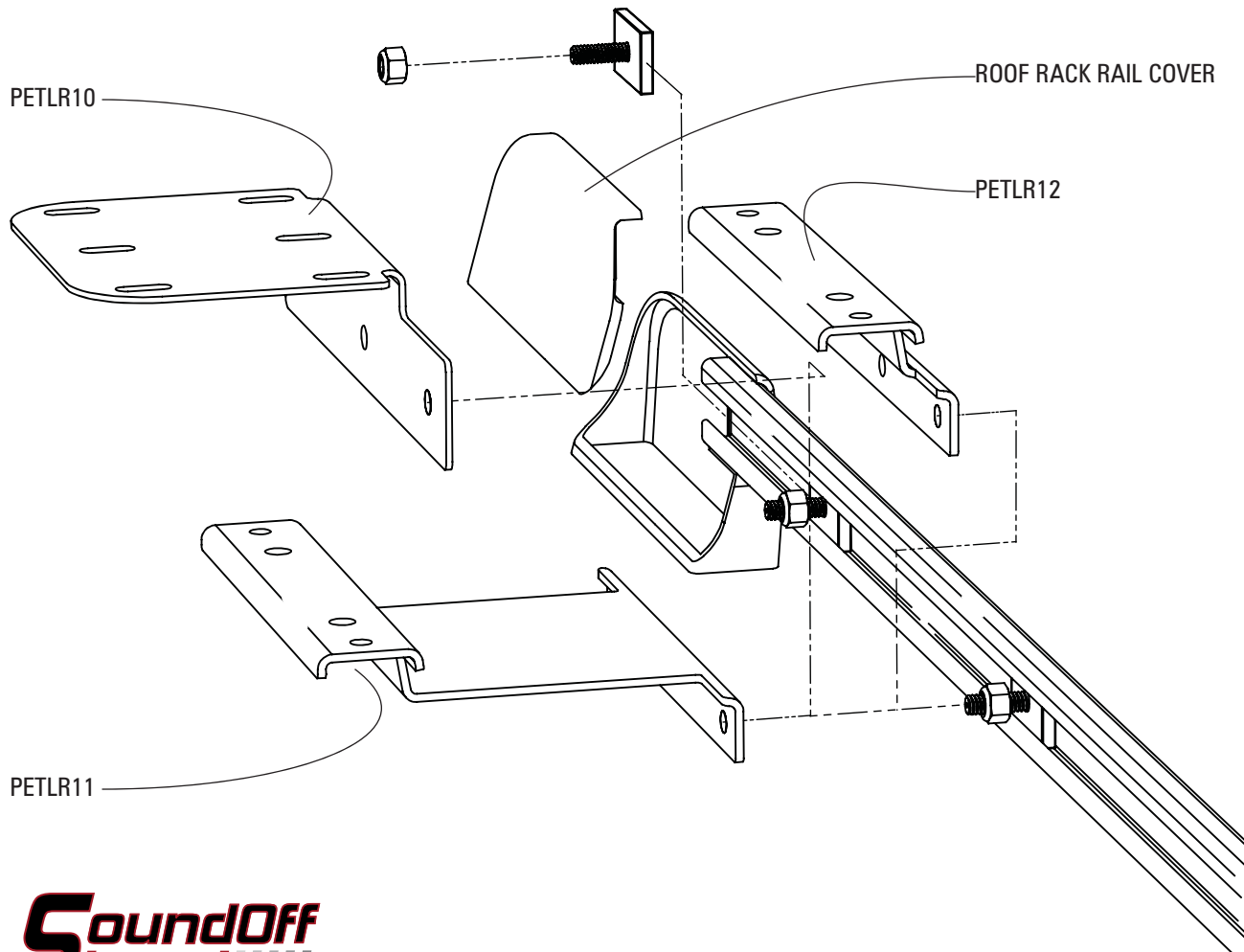


LIGHT BAR HOOK KITS FOR FORD EXPEDITION AND EXPLORER WITH ROOF RACKS

PETLR10 - ETL/EPL HOOK KIT FOR FORD EXPEDITION/EXPLORER WITH ROOF RACK

PETLR11 - APEX/SKYFIRE HOOK KIT FOR FORD EXPLORER WITH ROOF RACK

PETLR12 - APEX/SKYFIRE HOOK KIT FOR FORD EXPEDITION WITH ROOF RACK



INSTALLATION:

- 1) Remove roof rack cover.
- 2) Insert 3 slide mounts with threaded studs into channel.
- 3) Install correct bracket for light bar/ vehicle combination and loosely install locking nuts as shown.
- 4) Install light bar.
- 5) Make sure light bar is in correct position and tighten all fasteners.
- 6) Replace roof rack cover.