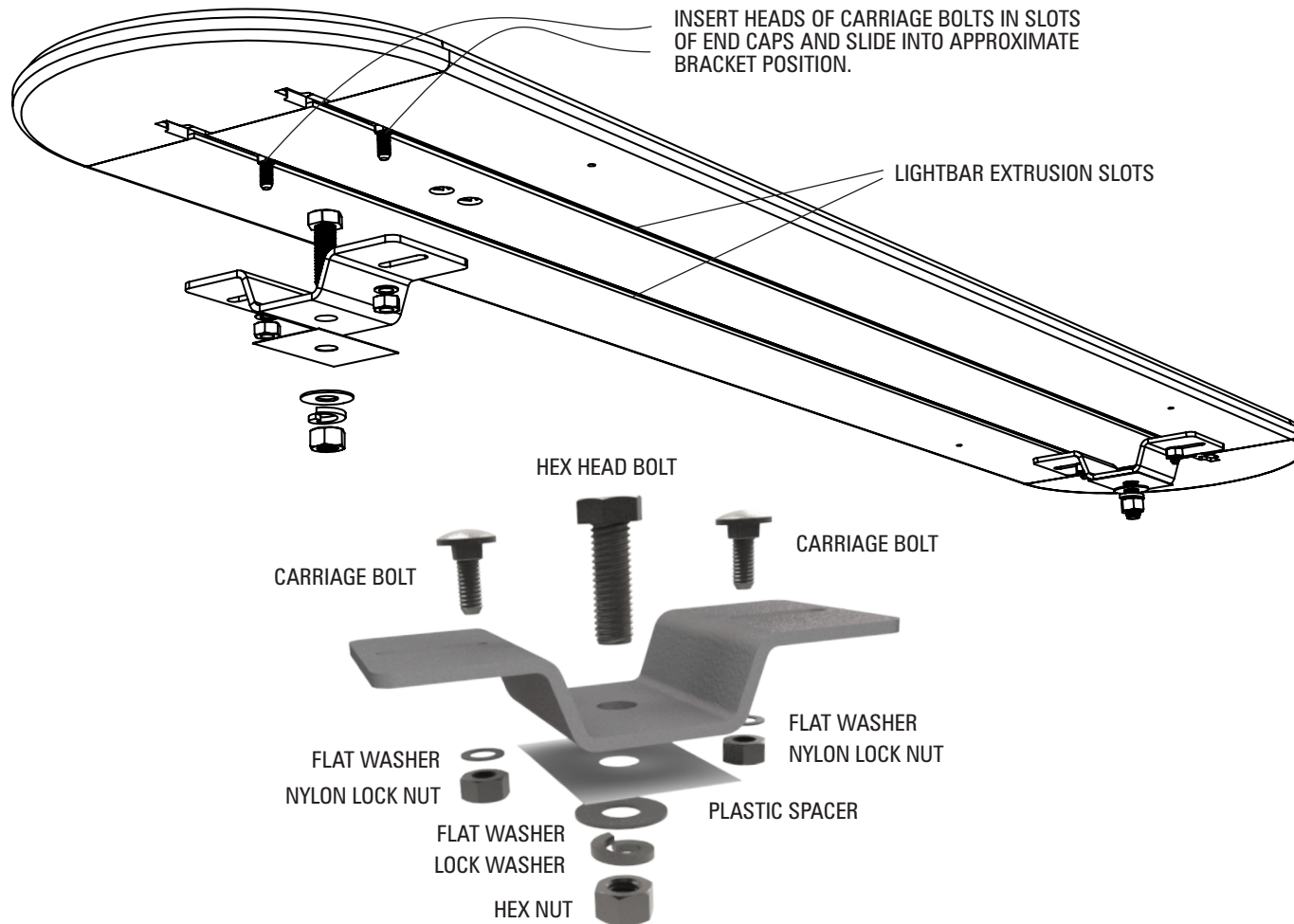


# HEADACHE RACK BRACKET

**#PETLK05** - Bracket kit with two 1/4"-20 carriage bolts and one 1/2"-13 hex head bolt for APEX™, Pinnacle™ or ETL5000™ full size lightbars.

**#PETLK06** - Bracket kit with two 5/16"-18 carriage bolts and one 1/2"-13 hex head bolt for Skyfire™ or MTL2000™ full size lightbars.



## INSTALLATION:

1. Place carriage bolts in extrusion slots on the underside of the lightbar.  
**Note:** For Pinnacle™ lightbars, the bottom end plate must be removed for access. For APEX™ lightbars, the bottom air deflectors may need to be removed depending on desired bracket location.
2. Insert hex head bolt into bracket.
3. Place bracket over carriage bolts and loosely secure with flat washers and nylon lock nuts.
4. Measure and drill appropriate sized holes in mounting surface.
5. Place plastic spacer over each mounting hole.
6. Place lightbar and bracket assembly into holes and install flat washer, lock washer, and hex nut for the hex head bolt.
7. Complete installation by tightening carriage bolt nuts.
8. Follow appropriate lightbar Owner's Manual or Installation Instructions for lightbar installation & testing.



To review our Limited Warranty Statement & Return Policy for this or any SoundOff Signal product please visit our website at [www.soundoffsignal.com](http://www.soundoffsignal.com) and select the "Warranty & Returns" link along the left column of our home page. If you have questions regarding this product please contact Technical Services, Monday - Friday, 8 am to 5 pm at 1.800.338.7337, press #4 to skip the automated message. Questions or comments that do not require immediate attention may be emailed to [techsupport@soundoffsignal.com](mailto:techsupport@soundoffsignal.com).

1.800.338.7337. / [www.soundoffsignal.com](http://www.soundoffsignal.com) / Thank you for trusting us with your safety!