

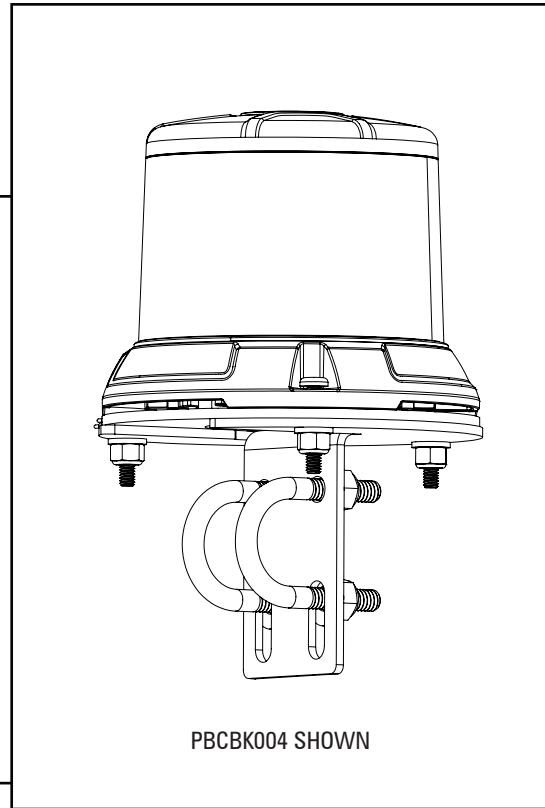
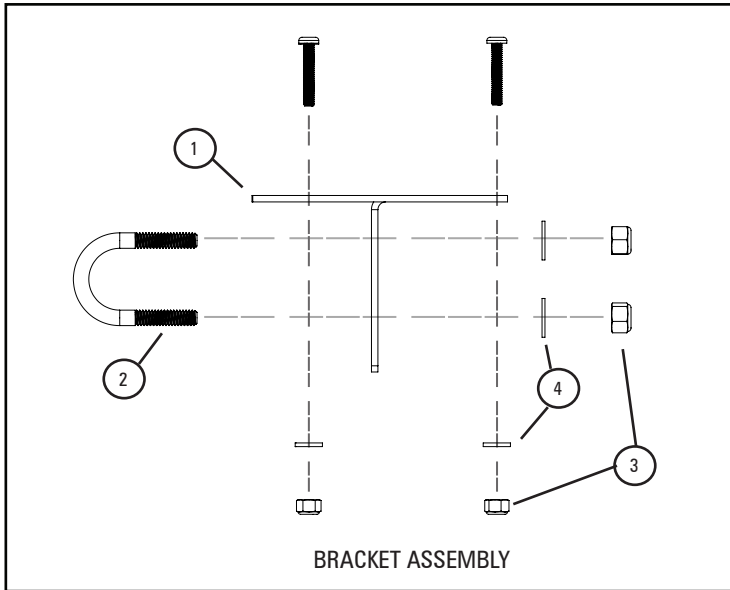
BEACON* BRACKET KIT BRACKET W/ MOUNTING HARDWARE - FOR SEMI-TRUCK MIRRORS

4200, 4500, and 4800 Series Beacon (Beacon with 6.3" Base Diameter)

- PBCBK001 - 1" Tube Diameter
- PBCBK002 - 1.25" Tube Diameter
- PBCBK003 - 1.50" Tube Diameter

24000 Series Beacon (Beacon with 4.8" Base Diameter)

- PBCBK004 - 1" Tube Diameter
- PBCBK005 - 1.25" Tube Diameter
- PBCBK006 - 1.50" Tube Diameter



INSTALLATION:

CONTAINS		
ITEM	QTY	COMPONENT
1	1	BEACON PLATE
2	2	1/4-20 U-BOLTS
3	4	1/4-20 NYLOK NUTS
4	4	1/4 INCH WASHERS
	3	8-32 SCREWS
	3	#8 WASHERS
	3	8-32 NYLOK NUTS
	1	WARNING CARD
	1	INSTRUCTION SHEET

*Beacons are sold separately

1. Place beacon on the plate and align the holes
2. Place the 8/32 screws in from the top. Place the #8 washers under the plate and secure with the nylok nut.
3. Place the U-Bolts around the mirror post and align beacon plate with U-bolts
4. Use the 1/4 washer and 1/4-20 nylok nuts to secure the U-bolts and beacon plate to the mirror post.

⚠ WARNING

- HIGH CURRENT interconnects must be properly terminated. Poor crimp quality can cause heat build-up and fire. Follow crimp connector manufacturer instructions.
- DO NOT install this product or route any wires in the Air Bag Deployment Zone. Refer to vehicle Owner's Manual for deployment zones.
- Unit may become hot to touch during normal operation.
- Failure to properly install connectors, fuses or wiring may cause vehicle failure or fire.
- Installation must only be performed by trained technician. Installer must determine vehicle wiring configuration and proper integration of system.
- Use proper wire gauge. All power wires connecting to positive (+) or negative (-) battery terminal or local chassis ground (-) must be sized to supply at least 125% of max. current and properly fused at power source.
- Install protective grommets when routing wire through firewall or metal.

NOTICE:

Installers and users must comply with all applicable federal, state and local laws regarding use and installation of warning devices.

Improper use or installation may void warranty coverage. To review our Limited Warranty Statement & Return Policy for this or any SoundOff Signal product, visit our website at www.soundoffsignal.com/sales-support. If you have questions regarding this product, contact **Technical Services**, Monday - Friday, 8 a.m. to 5 p.m. at 1.800.338.7337 (press #4 to skip the automated message). Questions or comments that do not require immediate attention may be emailed to techservices@soundoffsignal.com.

SUPERIOR CUSTOMER RELATIONSHIPS. SMARTLY DESIGNED LIGHTING & ELECTRONIC SOLUTIONS.

**SoundOff
Signal**

1.800.338.7337 / www.soundoffsignal.com

