

## ODYSSEY FLASHER

### J1

Locate the wire that supplies power to the passenger side high beam headlight. Cut this wire 10" to 12" from the back of the headlight. Connect J1 Pin 2 to the wire going to the passenger's side headlight. Connect J1 Pin 3 to the wire going back to the driver's side headlight.

### J1

Pin 1 (optional): If an automatic night time Flasher cut-off is required, tap into the parking light wire. If NOT, connect to GROUND.

### J4

Pin 1 & 2: Connect to +12 VDC

Pin 3: Connect to reliable ground

Pin 4: Connect to headlight flasher ON/Off switch.

### J2

Pin 1: Connect to a switch with a 10 amp ATO type fuse connected to +12 VDC.

Pin 2: Connect to the right grille light.

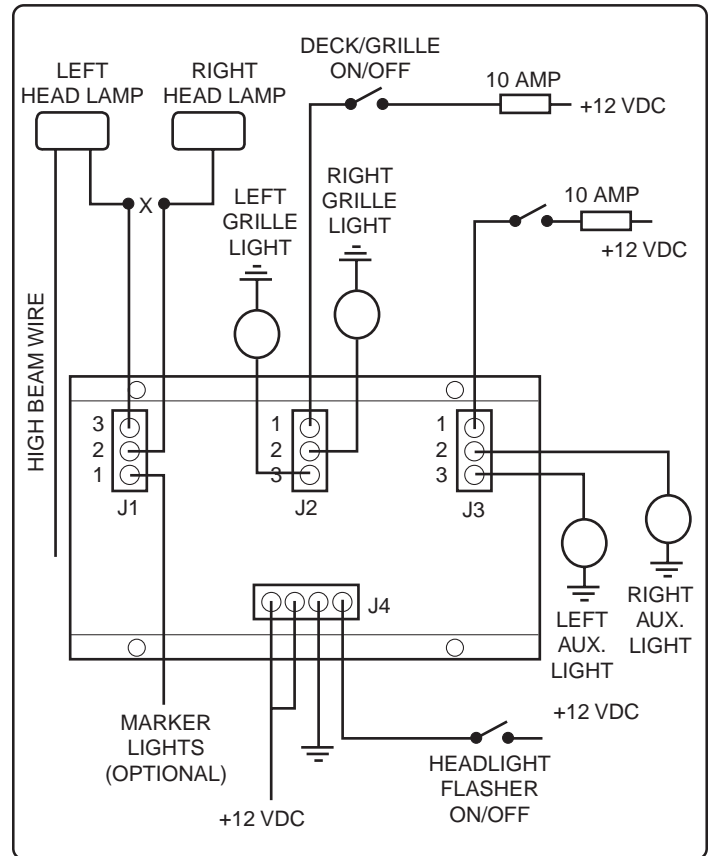
Pin 3: Connect to the left grille light.

### J3

Pin 1: Connect to a switch with a 10 amp ATO type fuse connected to +12 VDC.

Pin 2: Connect to the right auxiliary light.

Pin 3: Connect to the left auxiliary light.



**WIRING SCHEMATIC**

### NOTE

Flashing Headlight and Taillight Systems are intended for use on approved vehicles ONLY. It is the responsibility of the user of these systems to insure compliance to any Federal, State or Municipal regulations which may apply.

### NOTE

This Flasher WILL NOT work on any ground side switched system. If you have any questions regarding what type of system your vehicle has, contact SoundOff Signal's Technical Support Department at 1-800-338-7337.

### WARRANTY

SoundOff Signal warrants the Odyssey Flasher for 1 (one) full year from the date of purchase to the original purchaser against any manufacturer defects or workmanship. This warranty applies only to units installed according to manufacturer's installation instructions and operated within the units specifications.

Warranty is void if the unit was installed incorrectly or maliciously damaged.

All warranty claims must be accompanied by a dated proof of purchase.

SoundOff Signal retains the right to be the sole mediator of what constitutes defects in performance or manufacturing.