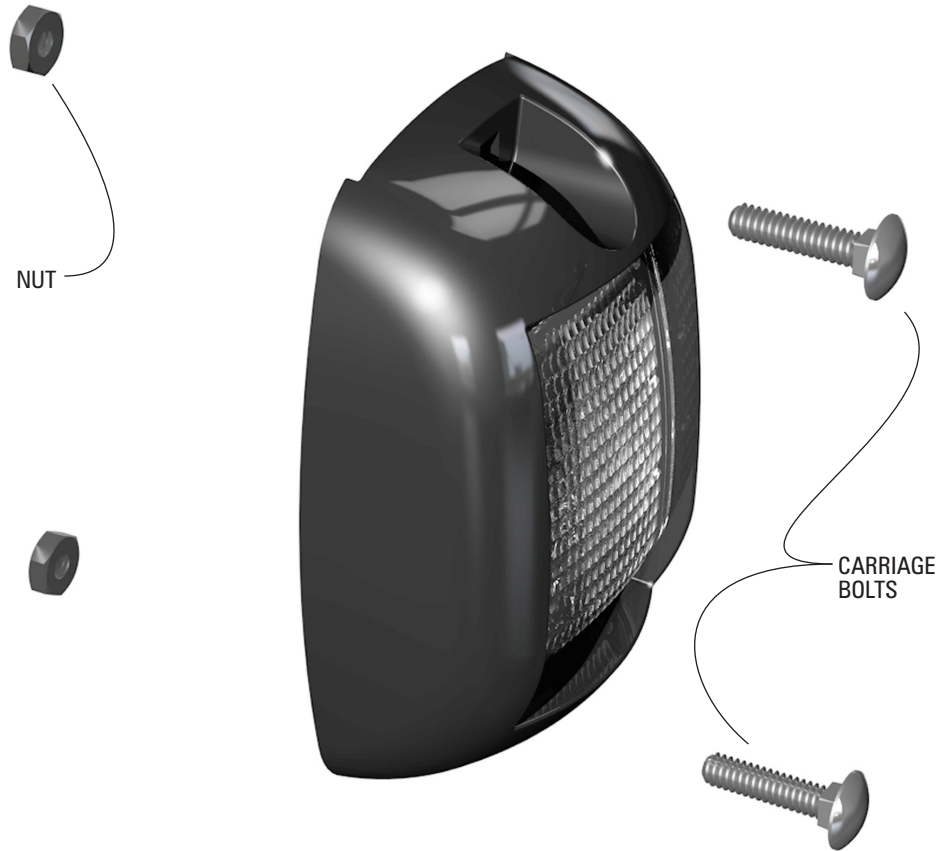


SURFACE MOUNT LED FLOODLIGHT

EAUSSMBØFWC - WITH 45° FLOOD LENS



Please see reverse for
Technical Specifications

Important Information:

- DO NOT connect this device to a strobe power supply. This product is self-contained and does not require an external power supply.

SoundOff
Signal

INSTALLATION:

The orientation of the SURFACE MOUNT LED FLOOD LIGHT is optional. The light may be mounted vertically or horizontally.

- 1) Determine a clean, flat location on the vehicle to mount the SURFACE MOUNT LED FLOOD LIGHT.
- 2) Using the template provided on the reverse side of this page mark and drill appropriate holes as shown on the same surface that the warning light will be in contact with. Note that every effort has been made to make a full scale template but variances may occur. It is the responsibility of the installer to ensure accurate dimensions.
- 3) Drill the 2- $\varnothing 7/32$ " holes for the 10-24 carriage bolts.
- 4) Drill a $\varnothing 3/8$ " hole for the cable to pass through the web of the push bumper. Note: this hole must be free of burrs and sharp edges to prevent damage to the wires.
- 5) Insert cable through $\varnothing 3/8$ " hole and insert carriage bolts through $\varnothing 7/32$ " holes.
- 6) Place flat washer and nut on carriage bolts and tighten using reasonable force. DO NOT OVER-TIGHTEN!
- 7) Make electrical connections.

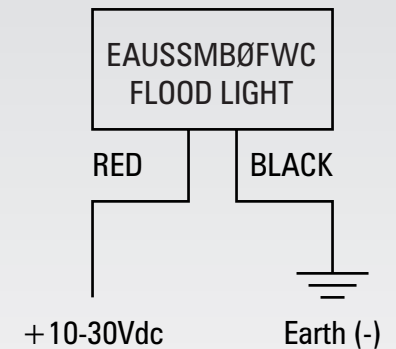
Important! The cable from the back of the light must be straight and relaxed for approximately the first inch. This is necessary to maintain the integrity of the light and comply with warranty.

OPERATION:

Connect RED wire to +10-30Vdc source either direct or through a flasher (see recommended flasher on reverse side).

Connect BLACK wire to ground (-).

Wire Diagram



See reverse side for recommended flasher

WIRE HOOK-UP TABLE

WIRE COLOR:	CONNECT TO:
RED	+10-30Vdc
BLACK	Ground (-)



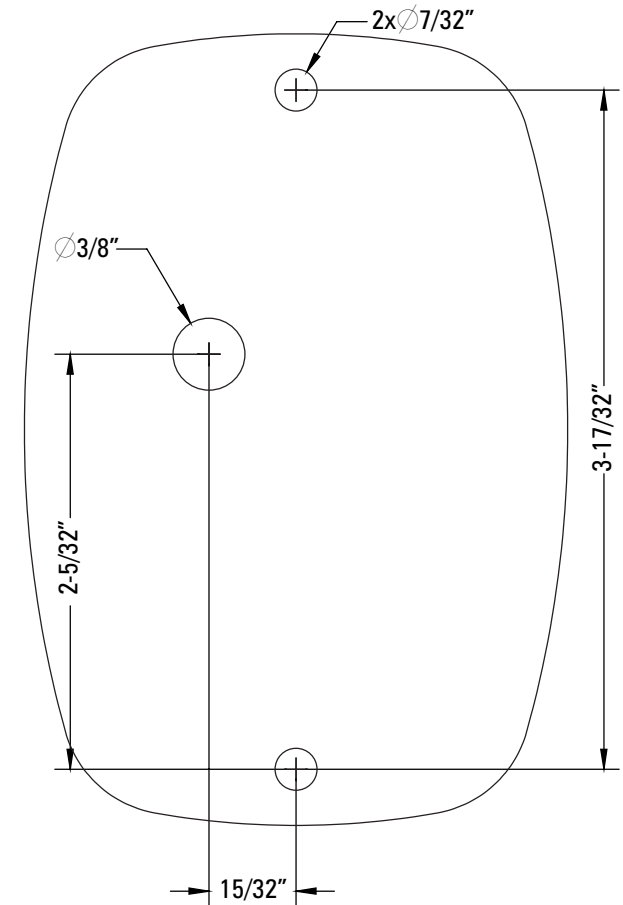
To review our Limited Warranty Statement & Return Policy for this or any SoundOff Signal product please visit our website at www.soundoffsignal.com and select the "Warranty & Returns" link along the left column of our home page. If you have questions regarding this product please contact Technical Services, Monday - Friday, 8 am to 5 pm at 1.800.338.7337, press #4 to skip the automated message. Questions or comments that do not require immediate attention may be emailed to techsupport@soundoffsignal.com.

1.800.338.7337. / www.soundoffsignal.com / Thank you for trusting us with your safety!

SURFACE MOUNT LED FLOODLIGHT

EAUSSMBØFWC - WITH 45° FLOOD LENS

TECHNICAL SPECIFICATIONS	
Overall Dimensions:	4-1/8"H x 2-27/32"W x 1-15/32"D
Input Voltage Range:	10 - 30Vdc
Current Consumption:	0.65A@12.8Vdc
# of LEDs:	1 High Density Multi-Chip LED
Operating Temperature:	-40° to +65° C



Replacement Parts & Accessories:

ETFFCØ2LED: 10-30v Flasher

SoundOff
Signal 

The line below should measure EXACTLY 3" if you want to use the template above to drill mounting holes. If it measures differently the installer must enlarge or reduce the page on a copier capable of such scaling.