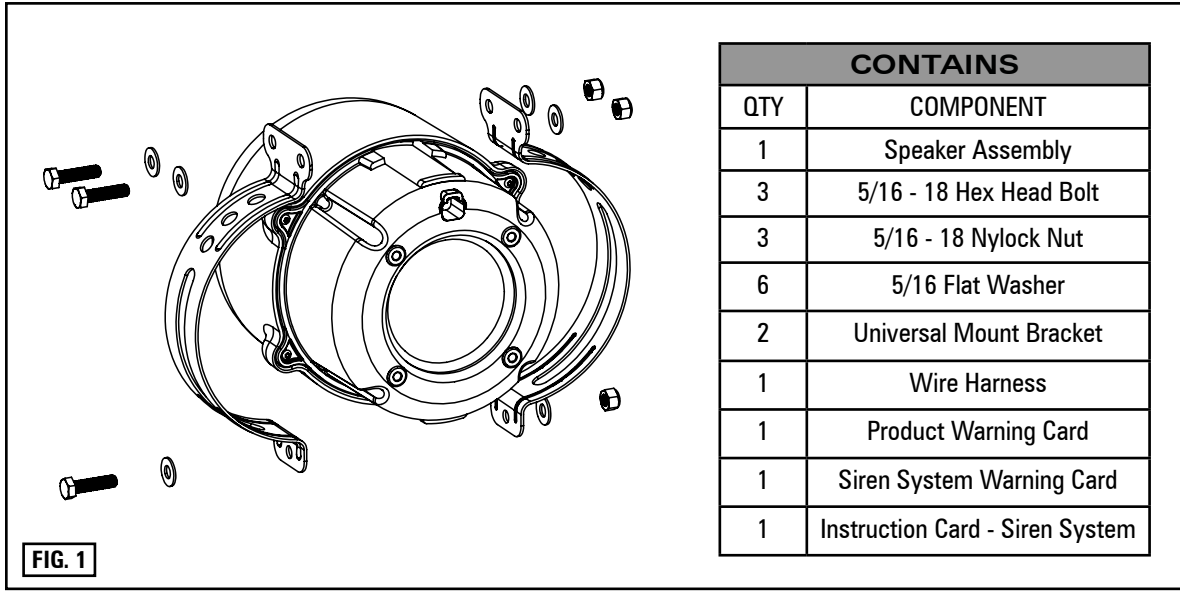


# Low Frequency Speaker

ETSSLF100



CONTAINS	
QTY	COMPONENT
1	Speaker Assembly
3	5/16 - 18 Hex Head Bolt
3	5/16 - 18 Nylock Nut
6	5/16 Flat Washer
2	Universal Mount Bracket
1	Wire Harness
1	Product Warning Card
1	Siren System Warning Card
1	Instruction Card - Siren System

## ⚠ WARNING

- HIGH CURRENT interconnects must be properly terminated. Poor crimp quality can cause heat build-up and fire. Follow crimp connector manufacturer instructions.
- DO NOT install this product or route any wires in the Air Bag Deployment Zone. Refer to vehicle Owner's Manual for deployment zones.
- Do NOT use system to disconnect headlights, brake lights or other safety equipment.
- Unit may become hot to touch during normal operation.
- Failure to properly install connectors, fuses or wiring may cause vehicle failure or fire.
- Installation must only be performed by trained technician. Installer must determine vehicle wiring configuration and proper integration of system.
- Use proper wire gauge. All power wires connecting to positive (+) or negative (-) battery terminal or local chassis ground (-) must be sized to supply at least 125% of max. current and properly fused at power source.
- Install protective grommets when routing wire through firewall or metal.

## NOTICE:

Installers and users must comply with all applicable federal, state and local laws regarding use and installation of warning devices.

*Improper use or installation may void warranty coverage.*

To review our Limited Warranty Statement & Return Policy for this or any SoundOff Signal product, visit our website at [www.soundoffsignal.com/tech-services/returns/](http://www.soundoffsignal.com/tech-services/returns/). If you have questions regarding this product, contact **Technical Services**, Monday - Friday, 8 a.m. to 5 p.m. or after hours 5 p.m. to 8 p.m. ET at **1.800.338.7337** (press #4). Questions or comments that do not require immediate attention may be emailed to [techservices@soundoffsignal.com](mailto:techservices@soundoffsignal.com).

## INTRODUCTION:

The LF100 Low Frequency Siren Speaker was designed to be used with the LF200 Low Frequency Amplifier (PSRNLFANR2.) Do NOT connect this speaker to a standard Siren Amplifier system. Please refer to the LF200 Low Frequency Amplifier Instruction Sheet for system wiring and configuration settings.

The low-frequency tones of the LF100 speaker will penetrate into the responding vehicle itself.

This could potentially expose the operator to increased noise levels. The Occupational Safety & Health Administration (OSHA) ([www.osha.gov](http://www.osha.gov)) provides hearing conservation guidance, to determine "Permissible Noise Exposure" see Section 1910.95 (Occupational Noise Exposure). Refer to LF200 Low Frequency Amplifier (PSRNLFANR2) Instruction Sheet so the siren can be configured for the minimum time-out setting until safe exposure levels are determined. The operators should take appropriate safety precautions such as wearing hearing protection.

## FAILURE TO FOLLOW THIS RECOMMENDATION COULD CAUSE HEARING LOSS!

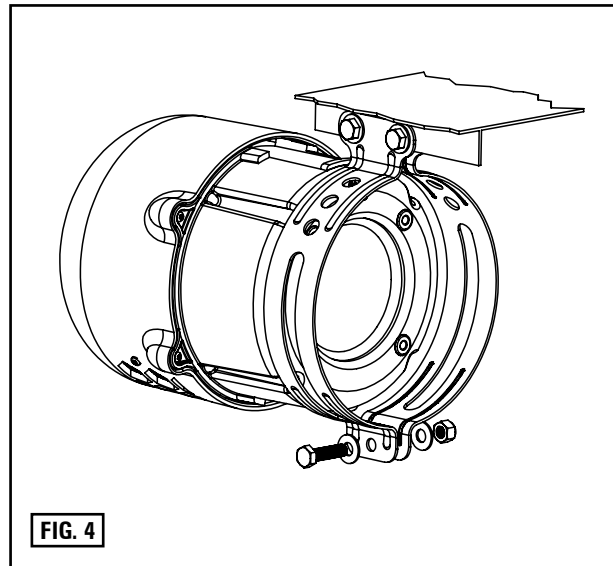
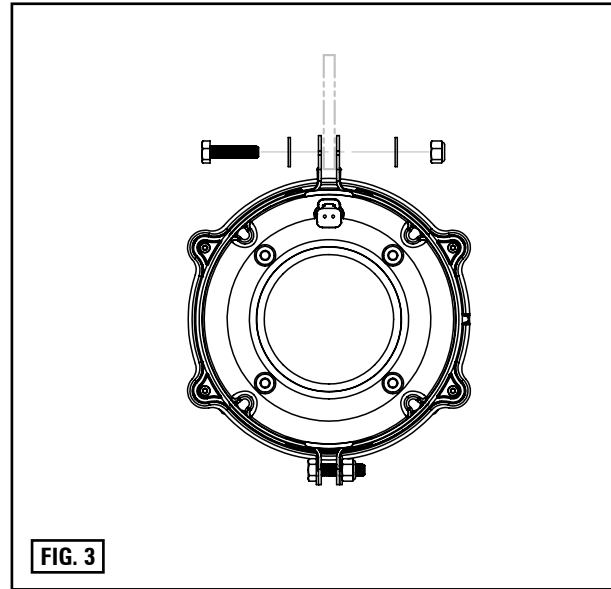
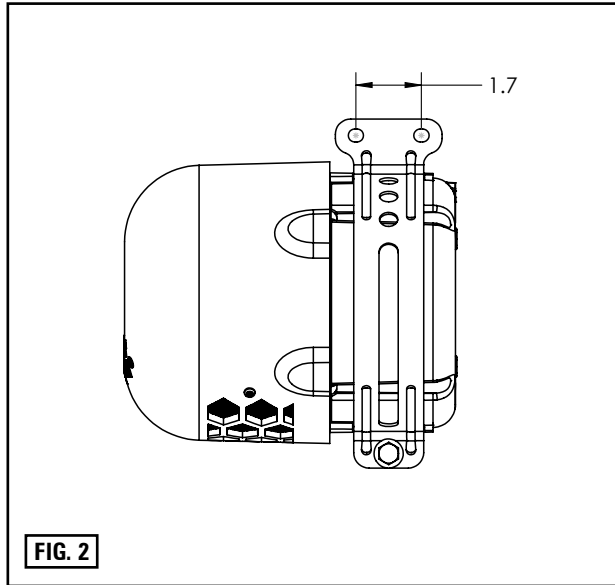
TECHNICAL SPECIFICATIONS	
Parameter	Specification
Nominal Impedance:	8 Ohms
Nominal Power Handling:	100W
Frequency Response: <i>(of application)</i>	125 Hz - 1 kHz
Operating Temperature:	-40° C to +65° C
Housing Material:	Durable Glass Filled Plastic
Bracket and Hardware Material:	Stainless Steel
Dimensions:	7.2" (18.4cm) dia 8.5" (21.6cm) H
Wire Harness:	60" (152.4cm) w/ Sealed Connector
Housing Connector:	Molded into Rear of Speaker Housing
Shipping Weight:	6.5 lbs
Warranty:	3 years

# SoundOff Signal®

1.800.338.7337 / [www.soundoffsignal.com](http://www.soundoffsignal.com)

# Low Frequency Speaker

ETSSLF100



## MOUNTING INSTRUCTIONS:

### Install the speaker using the universal mount bracket (provided):

1. Find a location on the underside of the vehicle with space to mount the speaker assembly. A verticle weld-seam flange or vehicle frame is a good location.
2. Using one of the included universal mount brackets, mark two mounting holes on the metal surface, approximately 1.7" apart. Before drilling holes, check the area you are drilling to ensure you will not damage vehicle components (see Fig. 2.)
3. Drill two holes for the 5/16 bolt. A maximum of 3/8 drill is recommended. Remove any burrs to ensure the mounting hardware will properly fit.
4. Fasten both mounting brackets to the drilled holes using the provided 5/16-18 bolt, with washers and nylon locking nuts (see Fig. 3.)
5. Separate the mounting brackets and slide the speaker assembly into them with the speaker openings and mesh facing the ground. Tighten the mounting brackets using the 5/16-18 hardware (see Fig. 4.)



## ⚠ WARNING

Sirens produce loud sounds that may damage hearing:

- Roll up windows.
- Wear hearing protection.
- Use only for emergency response.
- Avoid exposure to siren sound outside of vehicle.

### NOTICE:

Installers and users must comply with all applicable federal, state and local laws regarding use and installation of warning devices.

*Improper use or installation may void warranty coverage.*

To review our Limited Warranty Statement & Return Policy for this or any SoundOff Signal product, visit our website at [www.soundoffsignal.com/tech-services/returns/](http://www.soundoffsignal.com/tech-services/returns/). If you have questions regarding this product, contact **Technical Services**, Monday - Friday, 8 a.m. to 5 p.m. or after hours 5 p.m. to 8 p.m. ET at 1.800.338.7337 (press #4). Questions or comments that do not require immediate attention may be emailed to [techservices@soundoffsignal.com](mailto:techservices@soundoffsignal.com).

# SoundOff Signal®

1.800.338.7337 / [www.soundoffsignal.com](http://www.soundoffsignal.com)