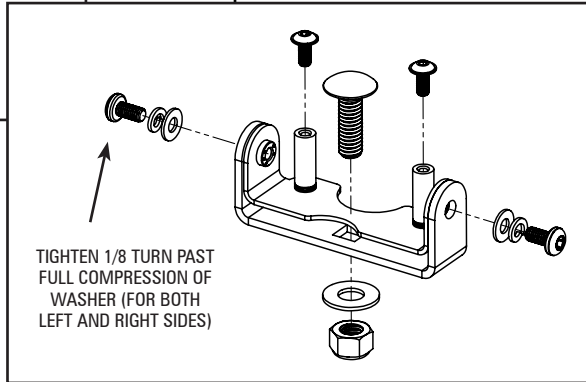
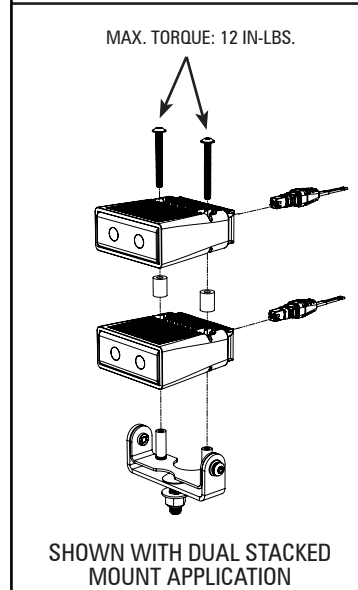
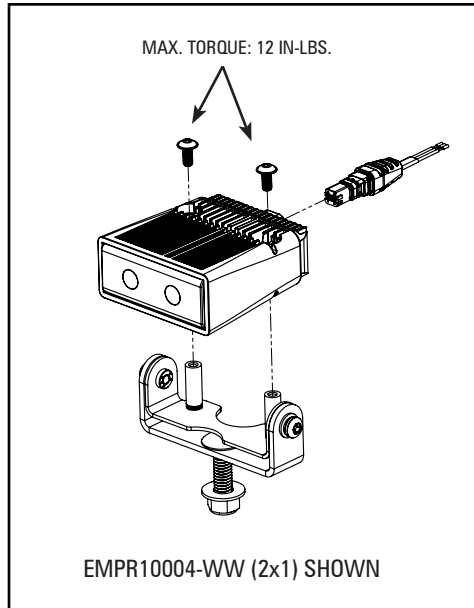
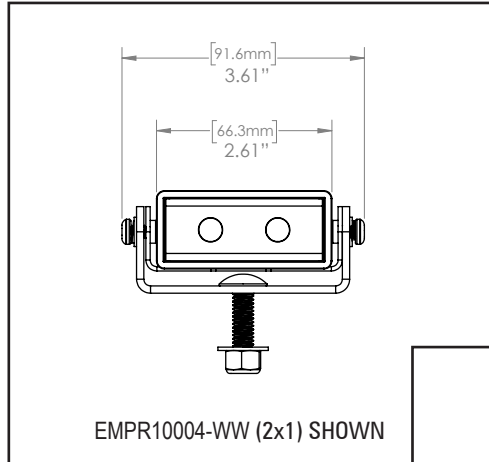


ORV LIGHT KIT

EMPR10004-WW - 2x1

EMPR20013-W - 6x1



DO NOT USE POWER TOOLS TO TIGHTEN

WARNING

This product contains high intensity LED devices. To prevent eye damage, DO NOT stare into the light beam at close range.

WARNING

- HIGH CURRENT interconnects must be properly terminated. Poor crimp quality can cause heat build-up and fire. Follow crimp connector manufacturer instructions.
- DO NOT install this product or route any wires in the Air Bag Deployment Zone. Refer to vehicle Owner's Manual for deployment zones.
- Do NOT use system to disconnect headlights, brake lights or other safety equipment.
- Unit may become hot to touch during normal operation.
- Failure to properly install connectors, fuses or wiring may cause vehicle failure or fire.
- Installation must only be performed by trained technician. Installer must determine vehicle wiring configuration and proper integration of system.
- Use proper wire gauge. All power wires connecting to positive (+) or negative (-) battery terminal or local chassis ground (-) must be sized to supply at least 125% of max. current and properly fused at power source.
- Install protective grommets when routing wire through firewall or metal.

NOTICE:

Installers and users must comply with all applicable federal, state and local laws regarding use and installation of warning devices.

Improper use or installation may void warranty coverage.

To review our Limited Warranty Statement & Return Policy for this or any SoundOff Signal product, visit our website at www.soundoffsignal.com/tech-services/returns/.

If you have questions regarding this product, contact **Technical Services**, Monday - Friday, 8 a.m. to 5 p.m. ET at 1.800.338.7337 (press #4).

Questions or comments that do not require immediate attention may be emailed to techservices@soundoffsignal.com.

EMPR10004-WW INTRODUCTION:

CONTAINS	
QTY	COMPONENT
2	mpower® ORV 2x1 Light
2	PMPR1BK001 - Bracket Kit
2	PMPR1HN001 - Harness Kit
1	Registration Card
1	Installation Instruction sheet
1	Product Warning Card

PMPR1BK001* BRACKET KIT CONTAINS	
QTY	COMPONENT
1	Cradle Bracket
1	U Bracket
1	5/16-18 Nylon Lock Nut
2	10-32, 3/8" PAN HD TORX, SS Screw
2	8-32, 3/8" FLNG BTN HD, SS Screw
1	5/16"-18 X 1" Long Carriage Bolt
2	#10 Flat Washer, 7/16 OD SS
1	5/16 USS Flat Washer SS 3/4" OD
2	#10 Split Lock Washer, SS

PMPR1HN001* HARNESS KIT CONTAINS	
QTY	COMPONENT
1	3-Wire Harness, TE Connector, HP SP

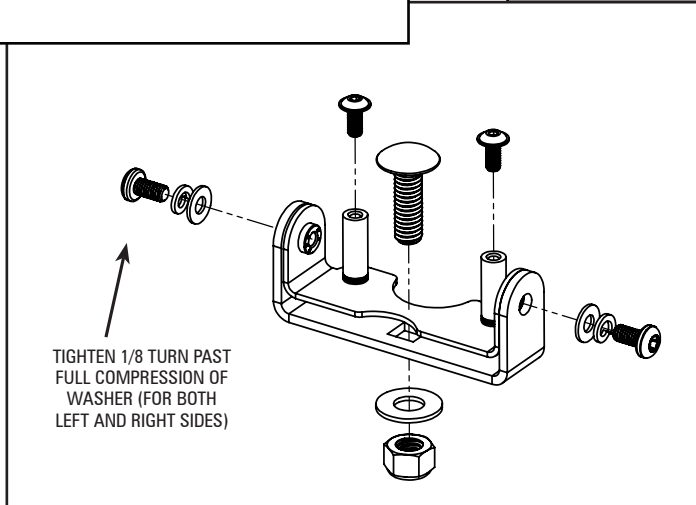
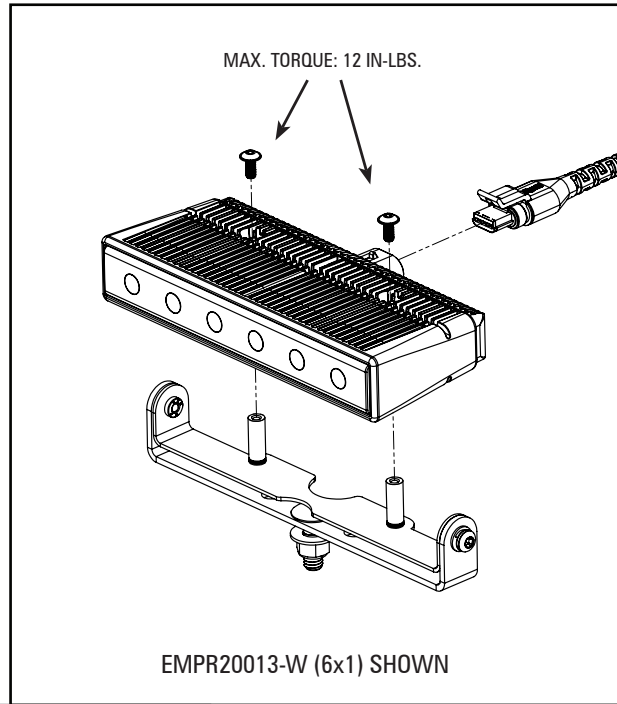
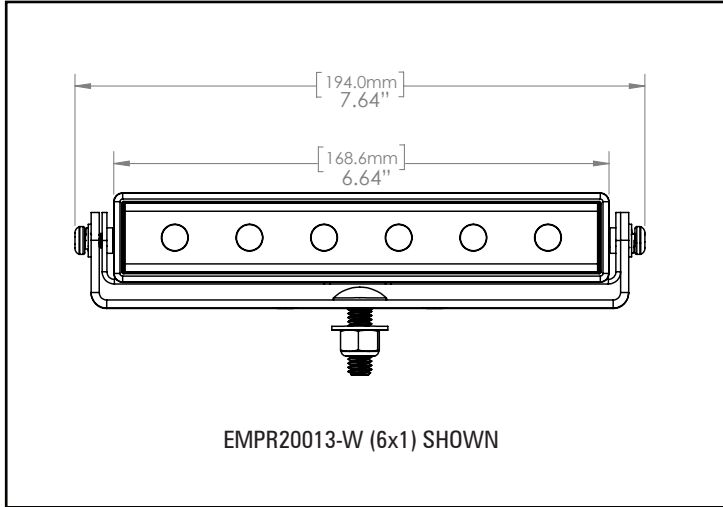
PMPR1HW002** HARDWARE KIT FOR DUAL STACKED MOUNT CONTAINS	
QTY	COMPONENT
2	8-32, 1 1/2" FLNG BTN HD, SS Screw
2	SPACER, 3/8 OD X 1/2" LONG

*included in purchase
**sold separately

ORV LIGHT KIT

EMPR10004-WW - 2x1

EMPR20013-W - 6x1



EMPR20013-W INTRODUCTION:

CONTAINS	
QTY	COMPONENT
1	mpower® ORV 6x1 Light
1	PMPR2BK001 - Bracket Kit
1	PMPR2HN002 - Harness Kit
1	Registration Card
1	Installation Instruction sheet
1	Product Warning Card

PMPR2BK001* BRACKET KIT CONTAINS	
QTY	COMPONENT
1	Cradle Bracket
1	U Bracket
1	5/16-18 Nylon Lock Nut
2	10-32, 3/8" PAN HD TORX, SS Screw
2	8-32, 3/8" FLNG BTN HD, SS Screw
1	5/16"-18 X 1" Long Carriage Bolt
2	#10 Flat Washer, 7/16 OD SS
1	5/16 USS Flat Washer SS 3/4" OD
2	#10 Split Lock Washer, SS

PMPR2HN002* HARNESS KIT CONTAINS	
QTY	COMPONENT
1	3-Wire Harness, TE Connector, HP SP

PMPR1HW002** HARDWARE KIT FOR DUAL STACKED MOUNT CONTAINS	
QTY	COMPONENT
2	8-32, 1 1/2" FLNG BTN HD, SS Screw
2	SPACER, 3/8 OD X 1/2" LONG

*included in purchase
**available for 6x1 light kit, sold separately

NOTICE:
Installers and users must comply with all applicable federal, state and local laws regarding use and installation of warning devices.

Improper use or installation may void warranty coverage.

To review our Limited Warranty Statement & Return Policy for this or any SoundOff Signal product, visit our website at www.soundoffsignal.com/tech-services/returns/.

If you have questions regarding this product, contact **Technical Services**, Monday - Friday, 8 a.m. to 5 p.m. ET at 1.800.338.7337 (press #4).

Questions or comments that do not require immediate attention may be emailed to techservices@soundoffsignal.com.

ELECTRICAL CONNECTIONS:

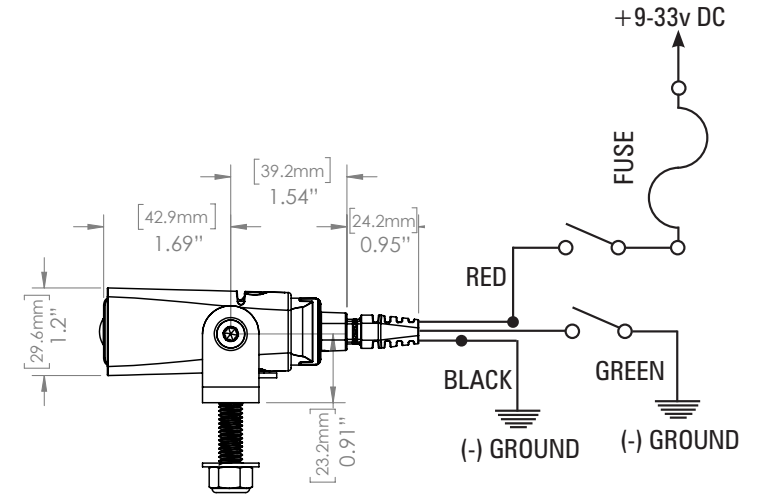
ORV LIGHT KIT

EMPR10004-WW - 2x1

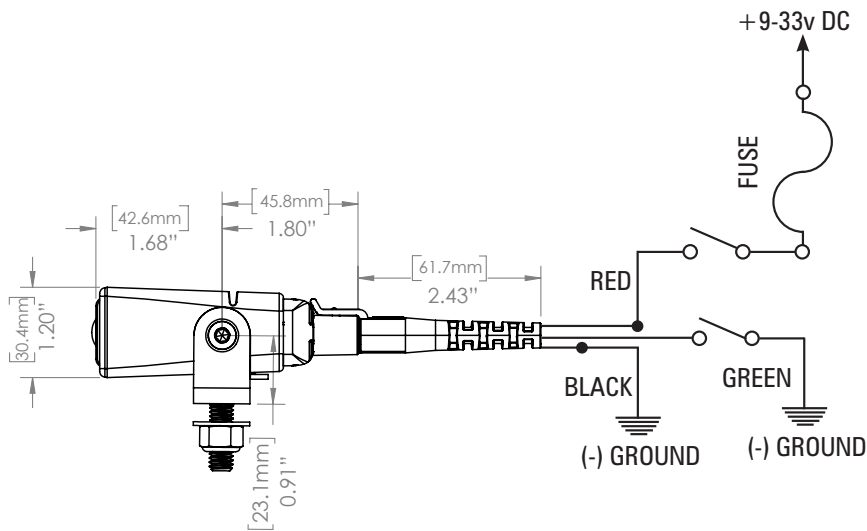
EMPR20013-W - 6x1

See diagram to the left for required electrical connections. Connect the RED wire to +9-32 Vdc through a customer supplied fuse (see Technical Specifications table for fuse rating) and switch. Connect the BLACK wire to a reliable ground. Connect GREEN wire to ground for low power dim operation.

MPOWER® ORV 2X1 TECHNICAL SPECIFICATIONS	
Overall Dimensions:	1.2"H x 3.61"W x 3.23"D
Dual Stack Dimensions:	2.7"H x 3.61"W x 3.23"D
Input Voltage Range:	9-32Vdc
Current Draw:	1.25 Amps @ 12.8 Vdc, 0.63 Amps @ 25.6 Vdc
Wattage:	16 Watts
Reverse Polarity, Load Dump, Over Voltage:	Protected
Operating Temperature:	-40° to +65° C
Optical Distribution:	Spot - Flood
Number of LEDs:	2
Color Temperature:	5700K
Raw Lumens:	1400
Fuse Rating Required:	5A



EMPR10004-WW (2x1) SHOWN
(NOT SHOWN WITH DUAL STACK)



EMPR20013-W (6x1) SHOWN
(NOT SHOWN WITH DUAL STACK)

MPOWER® ORV 6x1 TECHNICAL SPECIFICATIONS	
Overall Dimensions:	1.2"H x 7.64"W x 3.48"D
Dual Stack Dimensions:	2.7"H x 7.64"W x 3.48"D
Input Voltage Range:	9-32Vdc
Current Draw:	4 Amps @ 12.8 Vdc, 2 Amps @ 25.6 Vdc
Wattage:	51 Watts
Reverse Polarity, Load Dump, Over Voltage:	Protected
Operating Temperature:	-40° to +65° C
Optical Distribution:	Spot - Flood
Number of LEDs:	6
Color Temperature:	5700K
Raw Lumens:	4300
Fuse Rating Required:	7.5A