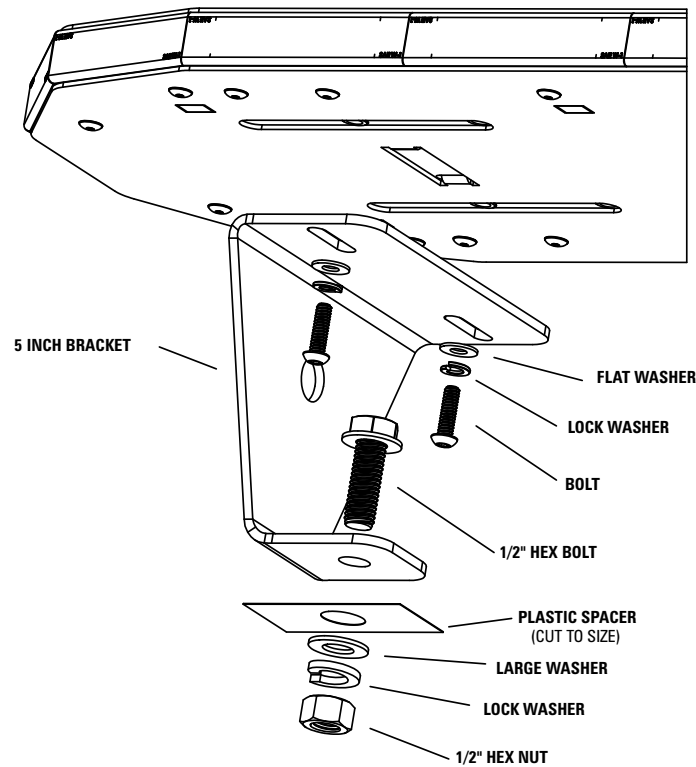


HEADACHE RACK BRACKET

PMPLBK07 - mPower® 5" Headache Rack Bracket Mount



INSTALLATION:

1. Feed bolt and supplied hardware through the slot on the 5" bracket and screw into the nut in the lightbar extrusion slot.
2. Place bracket in desired location and mark the center hole to denote drill location.
3. Measure and drill appropriate sized hole in mounting surface and cover with plastic spacer.
4. Place lightbar and bracket assembly into holes in mounting surface and secure with supplied hardware, shown left.

SoundOff
Signal 
Smart Design.

1.800.338.7337 / www.soundoffsignal.com

NOTICE:

Installers and users must comply with all applicable federal, state and local laws regarding use and installation of warning devices.

Improper use or installation may void warranty coverage.

To review our Limited Warranty Statement & Return Policy for this or any SoundOff Signal product, visit our website at www.soundoffsignal.com/tech-services/returns/.
If you have questions regarding this product, contact **Technical Services**, Monday - Friday, 8 a.m. to 5 p.m. or after hours 5 p.m. to 8 p.m. ET at 1.800.338.7337 (press #4).
Questions or comments that do not require immediate attention may be emailed to techservices@soundoffsignal.com.

SUPERIOR CUSTOMER RELATIONSHIPS. SMARTLY DESIGNED LIGHTING & ELECTRONIC SOLUTIONS.