

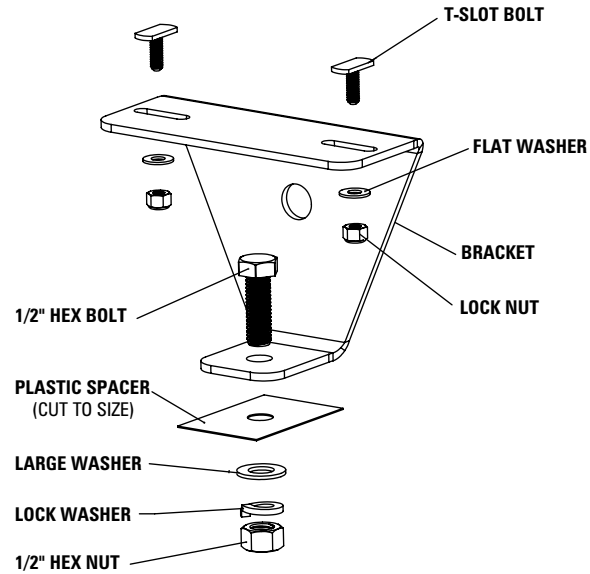
# HEADACHE RACK BRACKET

**PNFLBK13** - nFORCE® 5" Headache Rack Bracket Mount

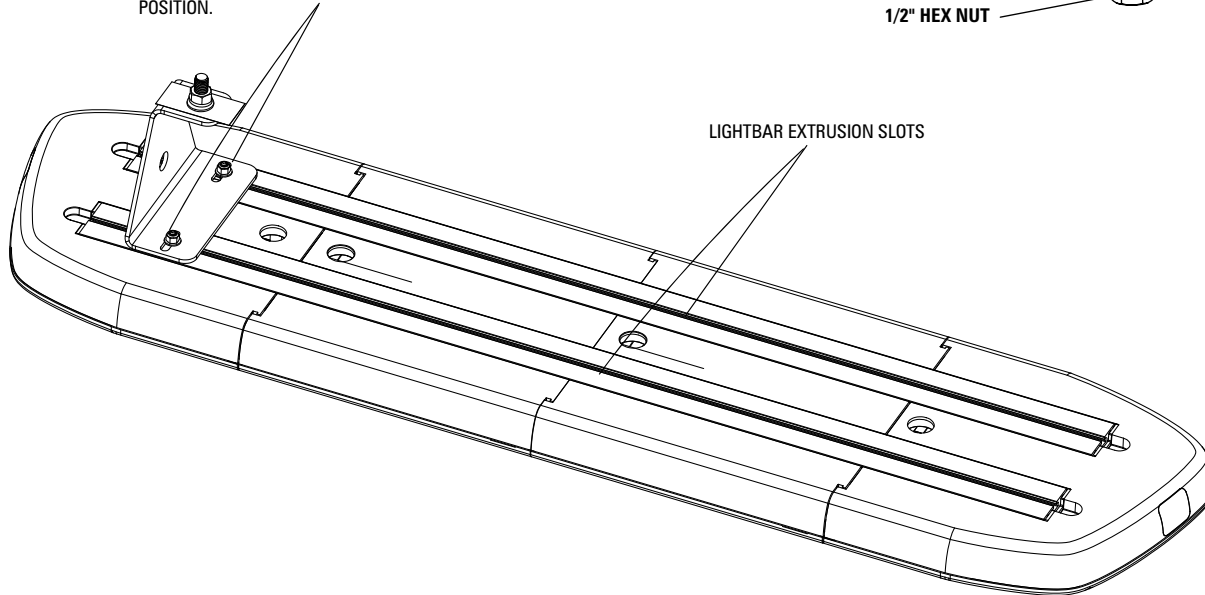
**PEPX3K06** - Apex 5" Headache Rack Bracket Mount

**PEMG2K09** - Magnum/Skyfire 5" Headache Rack Bracket Mount

**PETLK08** - Pinnacle 5" Headache Rack Bracket Mount



INSERT HEADS OF T-SLOT BOLTS IN SLOTS OF END CAPS AND SLIDE INTO APPROXIMATE BRACKET POSITION.



## INSTALLATION:

1. Place T-Slot bolts in extrusion slots on the underside of the lightbar.
2. Place bracket in desired location and mark the center hole to denote drill location.
3. Measure and drill appropriate sized holes in mounting surface and cover with plastic spacer.
4. Place lightbar and bracket assembly into holes and secure with supplied hardware, shown left.

### NOTICE:

Installers and users must comply with all applicable federal, state and local laws regarding use and installation of warning devices.

*Improper use or installation may void warranty coverage.*

To review our *Limited Warranty Statement & Return Policy* for this or any SoundOff Signal product, visit our website at [www.soundoffsignal.com/tech-services/returns/](http://www.soundoffsignal.com/tech-services/returns/).

If you have questions regarding this product, contact **Technical Services**, Monday - Friday, 8 a.m. to 5 p.m. or after hours 5 p.m. to 8 p.m. ET at **1.800.338.7337** (press #4).

Questions or comments that do not require immediate attention may be emailed to [techservices@soundoffsignal.com](mailto:techservices@soundoffsignal.com).

**SoundOff  
Signal**   
Smart Design.

1.800.338.7337 / [www.soundoffsignal.com](http://www.soundoffsignal.com)

SUPERIOR CUSTOMER RELATIONSHIPS. SMARTLY DESIGNED LIGHTING & ELECTRONIC SOLUTIONS.