

GHOST

GHOST® SPOT LIGHT, RECESS MOUNT

EGHSTS5W(x) - STEADY ON

x = EXT. COLOR: B-black, C-chrome, W-white



*Please see reverse for
Technical Specifications*

Important Information:

- Warning devices are strictly regulated and governed by Federal, State and Municipal ordinances. These devices shall be used ONLY on approved vehicles. It is the sole responsibility of the user of these devices to ensure compliance.
- DO NOT install this product or route any wires in the Air Bag Deployment Zone. Refer to your vehicle Owner's Manual for the location of any air bag deployment zones.
- DO NOT connect this device to a strobe power supply. This product is self-contained and does not require an external power supply.

IMPORTANT INFORMATION:

Warning devices are strictly regulated and governed by Federal, State and Municipal ordinances. These devices shall be used ONLY on approved vehicles. It is the sole responsibility of the user of these devices to ensure compliance.

To review our Limited Warranty Statement & Return Policy for this or any SoundOff Signal product, visit our website at www.soundoffsignal.com/sales-support.
If you have questions regarding this product, contact **Technical Services**, Monday - Friday, 8 a.m. to 5 p.m. at **1.800.338.7337** (press #4 to skip the automated message).
Questions or comments that do not require immediate attention may be emailed to techservices@soundoffsignal.com.

INSTALLATION:

- 1 Determine a clean, flat location on the vehicle to mount the FLUSH MOUNT GHOST™ LIGHT.
- 2 Using template on reverse side, mark and drill holes in 4 corners. Holes to be $\varnothing 0.46''$ (approx. $\varnothing 15/32''$)
- 3 Carefully cut sheet metal and ensure there are no sharp edges.
- 4 Press gasket into opening.
- 5 Make electrical connections.
- 6 Test light.
- 7 Press light into gasket.

OPERATION:

- 1 Make secure connections as shown in Wire Hook-Up Table below.

WIRE HOOK-UP TABLE

WIRE COLOR:	CONNECT TO:
RED	+ 10-30Vdc
BLACK	Ground (-)
WHITE	+ 10-30Vdc

⚠ WARNING

This product contains high intensity LED devices. To prevent eye damage, DO NOT stare into the light beam at close range.

**SoundOff
Signal**
Smart Design.

1.800.338.7337 / www.soundoffsignal.com

SUPERIOR CUSTOMER RELATIONSHIPS. SMARTLY DESIGNED LIGHTING & ELECTRONIC SOLUTIONS.

EGHSTS5(xx) 7.14

GHOST®

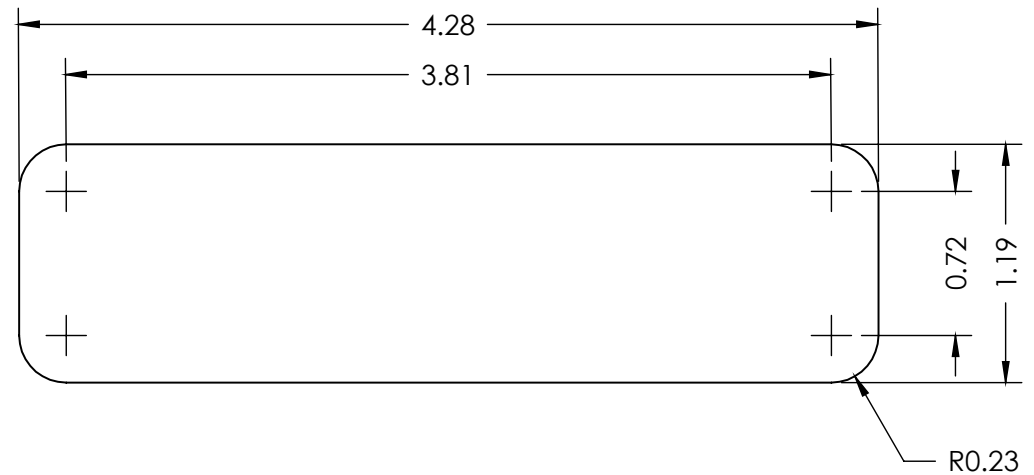
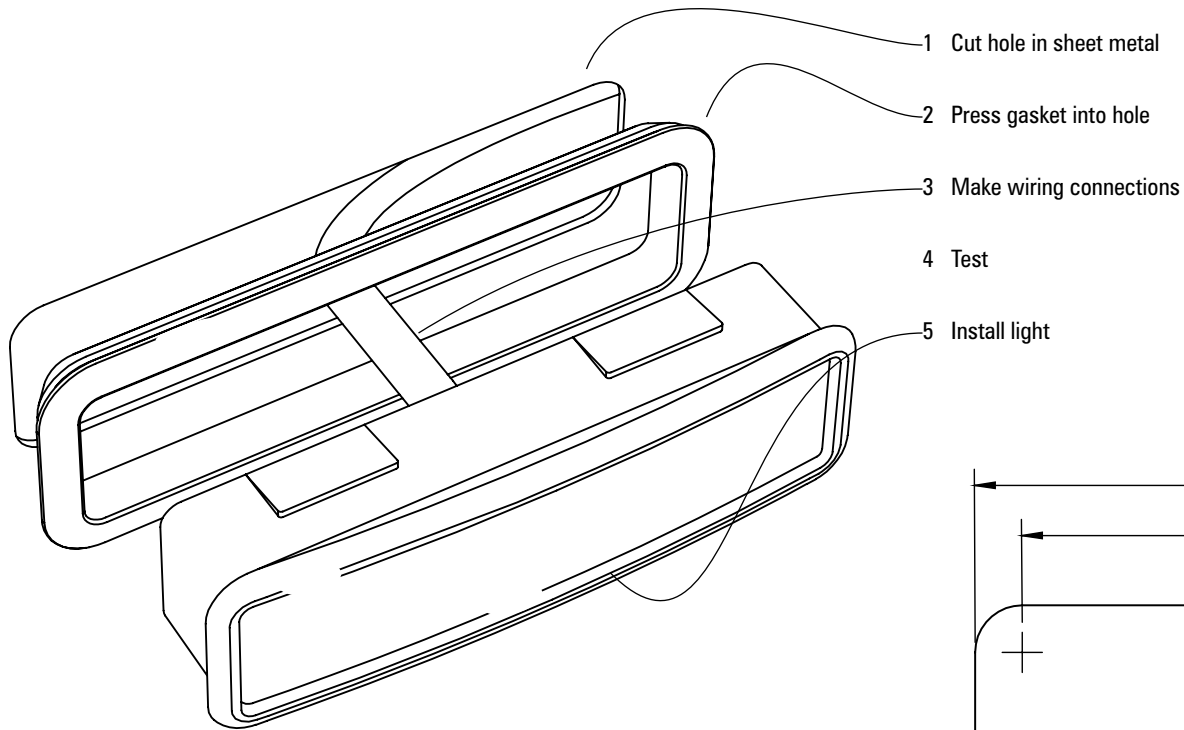
FLUSH MOUNT GHOST®

EGHSTS5(xy) - STEADY ON

x = LED color

y = EXT. COLOR: B-black, C-chrome, W-white

TECHNICAL SPECIFICATIONS	
Overall Dimensions:	1.55"H x 4.67"W x 0.98"D
Input Voltage Range:	10 - 30 Vdc
Current Consumption:	0.45A @ 12.8Vdc 0.23 @ 25.6Vdc
# of LEDs:	6 Generation 3 LEDs
Light Sync Technology:	No
Operating Temperature:	-40° to +65° C



SoundOff
Signal 
Smart Design.

1.800.338.7337 / www.soundoffsignal.com