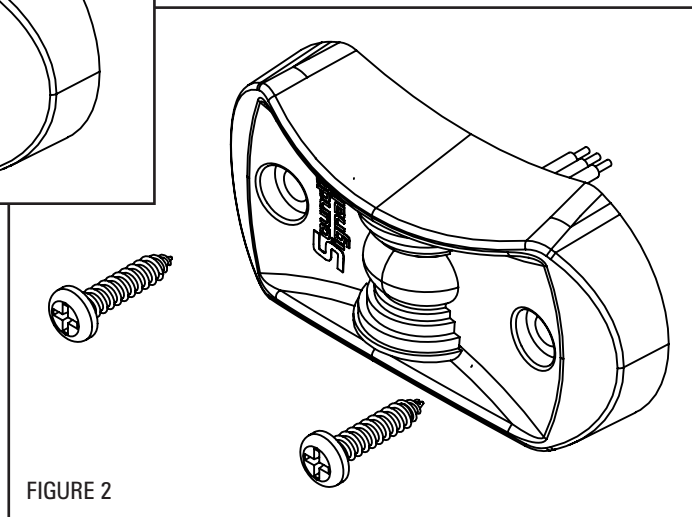
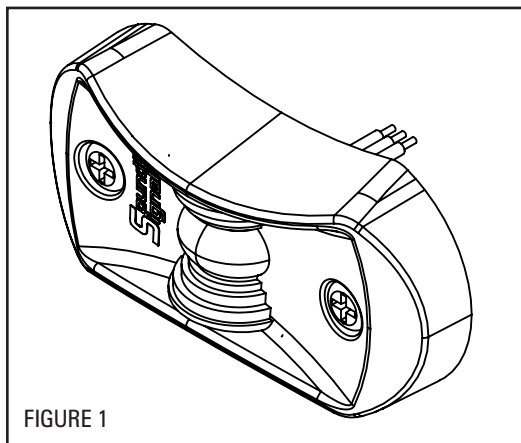


FUSION LED LIGHT

#EFL1(x)5(x)



INSTALLATION:

1. Establish a position on the vehicle on a level surface. Orient the light output level on the horizon.
2. Use the screw holes in the assembly as a template to mark locations of wire and mounting screws.
3. Use a 5/16" diameter drill for the wire holes
4. Size pilot holes for mounting screws appropriately.
5. Fasten light using mounting screws. Do not torque mounting screws beyond 20 in - lbs.

WIRE HOOK-UP TABLE

WIRE COLOR:	CONNECT TO:
RED	+Vdc
BLACK	Ground (-)
WHITE	Pattern Select/Sync
GREEN	Group Flash
YELLOW	50% Power

⚠ WARNING

Please see last page for Technical Specifications

- HIGH CURRENT interconnects must be properly terminated. Poor crimp quality can cause heat build-up and fire. Follow crimp connector manufacturer instructions.
- DO NOT install this product or route any wires in the Air Bag Deployment Zone. Refer to vehicle Owner's Manual for deployment zones.
- Unit may become hot to touch during normal operation.
- Failure to properly install connectors, fuses or wiring may cause vehicle failure or fire.
- Installation must only be performed by trained technician. Installer must determine vehicle wiring configuration and proper integration of system.
- Use proper wire gauge. All power wires connecting to positive (+) or negative (-) battery terminal or local chassis ground (-) must be sized to supply at least 125% of max. current and properly fused at power source.
- Install protective grommets when routing wire through firewall or metal.

NOTICE:

Installers and users must comply with all applicable federal, state and local laws regarding use and installation of warning devices.

*Improper use or installation may void warranty coverage. To review our Limited Warranty Statement & Return Policy for this or any SoundOff Signal product, visit our website at www.soundoffsignal.com/sales-support. If you have questions regarding this product, contact **Technical Services**, Monday - Friday, 8 a.m. to 5 p.m. at 1.800.338.7337 (press #4 to skip the automated message). Questions or comments that do not require immediate attention may be emailed to techservices@soundoffsignal.com.*

**SoundOff
Signal**
Smart Design.

1.800.338.7337 / www.soundoffsignal.com

SUPERIOR CUSTOMER RELATIONSHIPS. SMARTLY DESIGNED LIGHTING & ELECTRONIC SOLUTIONS.

⚠ WARNING

This product contains high intensity LED devices. To prevent eye damage, DO NOT stare into the light beam at close range.

FUSION LED LIGHT

#EFL1(x)5(x)

Tech Specs	Fusion Lite
Flash Patterns:	6 Flash Patterns
Light Sync:	Yes
Technology:	1 Gen3 LED
Mounting:	Surface Mount
Input Voltage:	10 - 30 Vdc
Current Draw:	less than 0.1 amps
Dimensions:	Width x Height x Depth 3.125" (79.4 mm) W x 1.5" (38.5 mm) H x .75" (19.5 mm) D
Operating Temp.:	-20° to +65° C

Flash Patterns				
Pattern Name	SAE Pattern	ECE Pattern	1 Light	F.P.M. (Flashes / Minute)
1. Warp	x		x	353
2. Power Pulse	x		x	182
3. Road Runner	x		x	113
4. ECE Single		x	x	62
5. ECE Double		x	x	144
6. Quad	x		x	81

PATTERN SELECT

1. With light powered, touch White wire to Red Power wire for 1 second.

PATTERN RESET

1. With light powered, touch White wire to Red wire for 3 seconds.
2. Remove White wire from power. Pattern resets to 1.

SYNC MULTIPLE LIGHTS

1. Set up all lights to the same pattern
2. Connect White wires of all lights to sync together.
 - a. Note, only 6 lights can be synced together.
 - b. Insulate connections
3. Green Wire Connection
 - a. For Simultaneous Flashing of a group of lights:
 - i. Connect all Green wires together of the group of lights desired to flash in unison.
 - ii. All Green wires connected together form one light group
 - b. For alternating flashing of a group of lights:
 - i. Connect one group of Green wires to Power (+Vdc)
 - ii. These lights will flash in unison.
 - iii. Connect one group of Green wires together but leave floating.
 - iv. These lights will flash in unison.
 - v. Together, both light groups will alternate.
 - vi. For two lights simply connect one Green wire to Power (+Vdc) and leave the other Green wire floating.
 - vii. Insulate connections.

NOTICE:

Installers and users must comply with all applicable federal, state and local laws regarding use and installation of warning devices.

*Improper use or installation may void warranty coverage. To review our Limited Warranty Statement & Return Policy for this or any SoundOff Signal product, visit our website at www.soundoffsignal.com/sales-support. If you have questions regarding this product, contact **Technical Services**, Monday - Friday, 8 a.m. to 5 p.m. at **1.800.338.7337** (press #4 to skip the automated message). Questions or comments that do not require immediate attention may be emailed to techservices@soundoffsignal.com.*

SUPERIOR CUSTOMER RELATIONSHIPS. SMARTLY DESIGNED LIGHTING & ELECTRONIC SOLUTIONS.

