

# FORD SUV PI BUMPER SPEAKER BRACKET

ETSS100CBKFV-BP (for 2016 - 2017 model years - NO DRILL)

Note: It is recommended that the front bumper cover assembly be removed for access to front beam. For complete explanation of disassembly contact a local Ford service center.

## BRACKET COMPATIBLE WITH SPEAKERS:

- 100C  
- 100L  
- 100N

FIG. 1

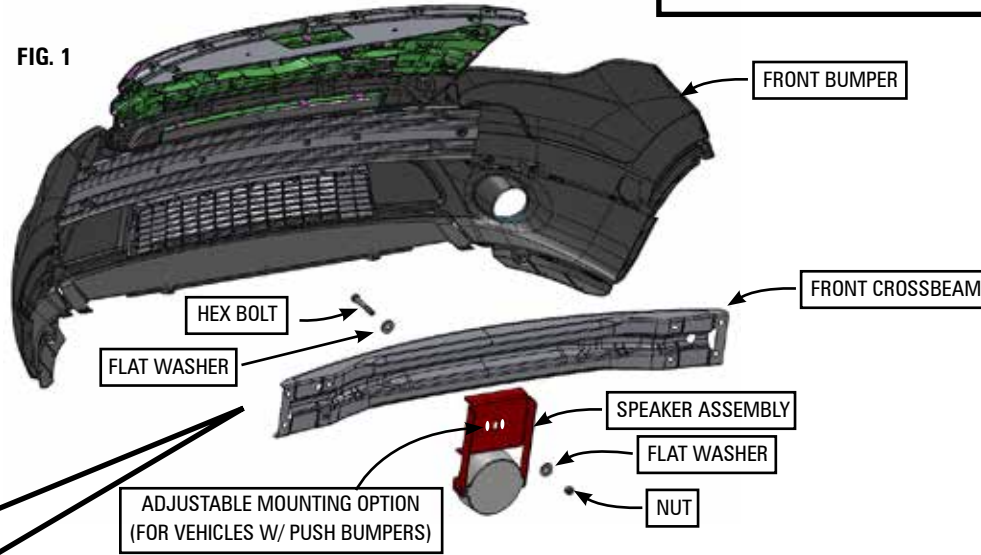
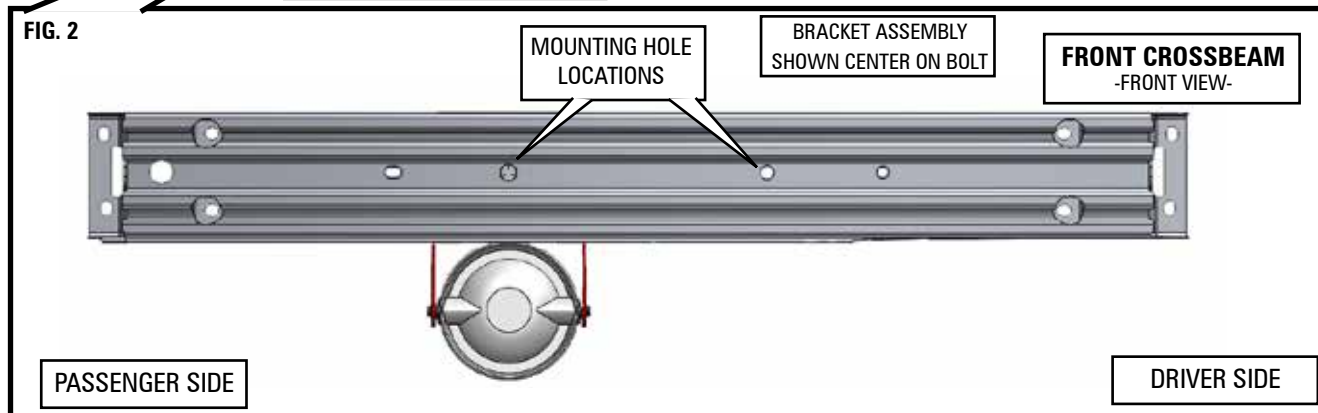


FIG. 2



## INSTALLATION:

- 1) Front bumper cover assembly must be removed to install speaker bracket. Assembly should be removed as one piece and not individually. Consult a local Ford service center for best disassembly method. Keep all hardware.
- 2) Mount speaker bracket using either one of the mounting holes on the crossbeam with the supplied hardware. If vehicle is equipped with a push bumper, use either one of the 2 holes to allow it to be offset from the hole on the bumper. See fig 2.
- 3) Install speaker using the appropriate hardware. See page 2. Follow all warnings and suggestions for installation.
- 6) Wire speaker to siren output and test.
- 7) Re-install front bumper cover assembly using previously removed hardware.

## ⚠ WARNING



Sirens produce loud sounds that may damage hearing

- | Roll up windows
- | Wear hearing protection
- | Use only for emergency response
- | Avoid exposure to siren sound outside of vehicle

## Important Information:

- Warning devices are strictly regulated and governed by Federal, State and Municipal ordinances. These devices shall be used ONLY on approved vehicles. It is the sole responsibility of the user of these devices to ensure compliance.

## NOTICE:

Installers and users must comply with all applicable federal, state and local laws regarding use and installation of warning devices.

Improper use or installation may void warranty coverage. To review our Limited Warranty Statement & Return Policy for this or any SoundOff Signal product, visit our website at [www.soundoffsignal.com/support/](http://www.soundoffsignal.com/support/). If you have questions regarding this product, contact **Technical Services**, Monday - Friday, 8 a.m. to 5 p.m. or after hours 5 p.m. to 8 p.m. EST at 1.800.338.7337 (press #4 to skip the automated message). Questions or comments that do not require immediate attention may be emailed to [techservices@soundoffsignal.com](mailto:techservices@soundoffsignal.com).

## TECHNICAL SPECIFICATIONS

Material:	Steel with powder coated black finish
Dimensions (bracket only):	9.4"H x 7.3"W x 2.4"D

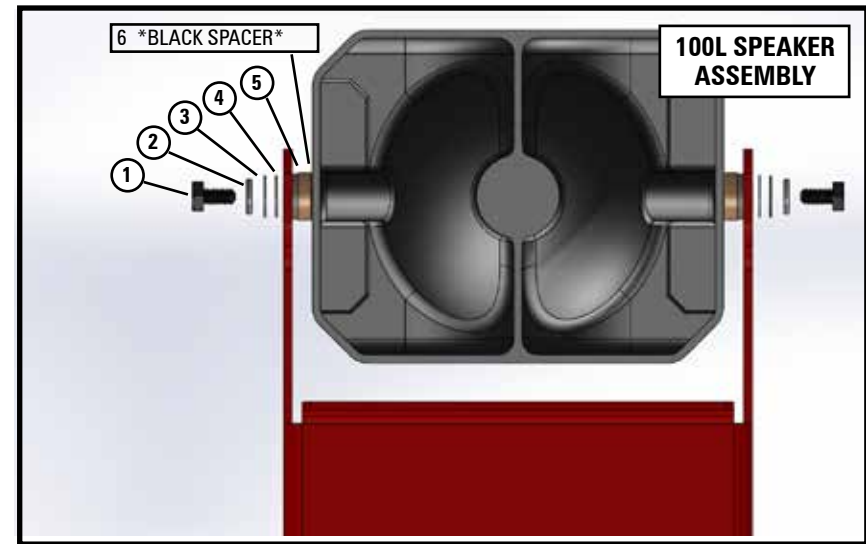
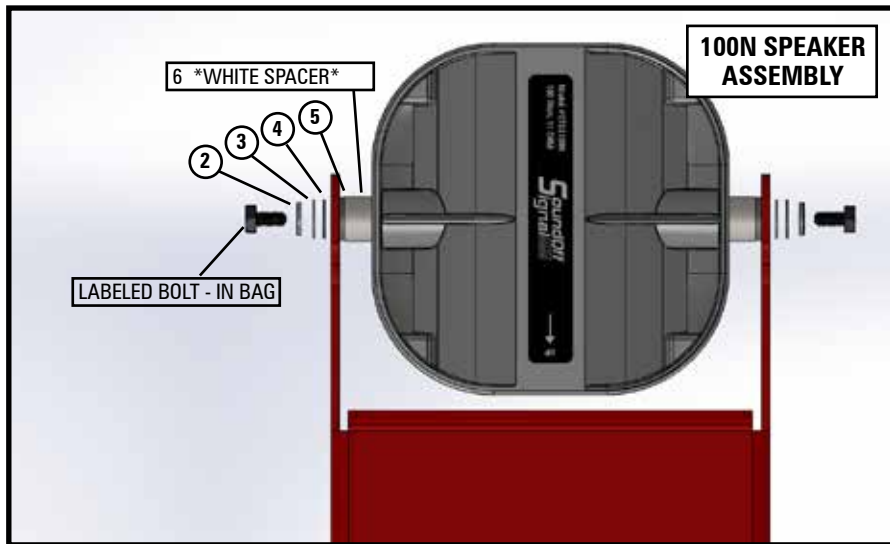
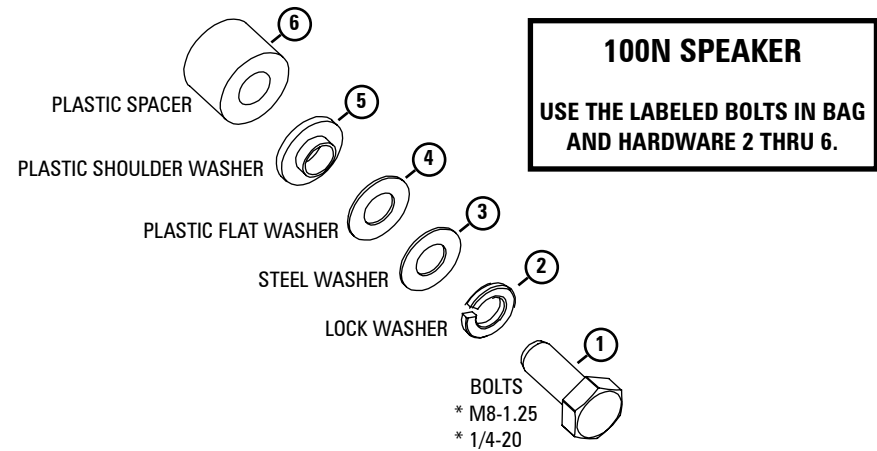
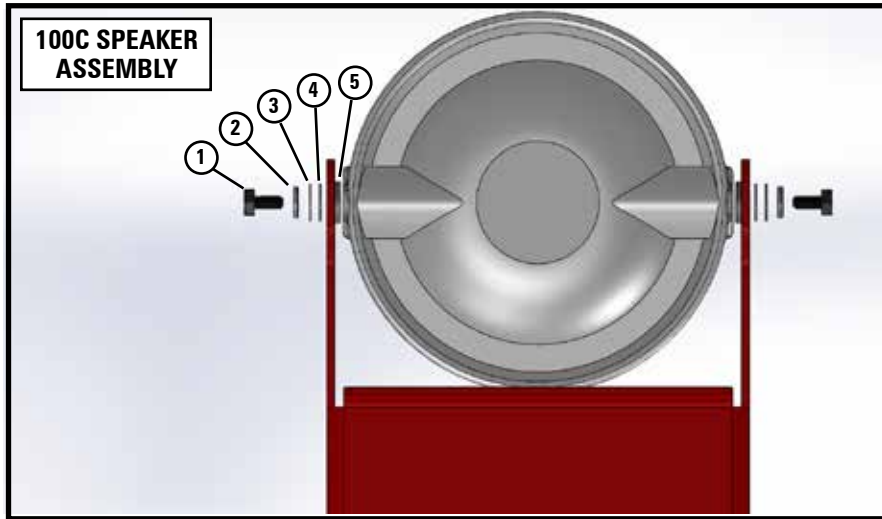


# FORD SUV PI BUMPER SPEAKER BRACKET

ETSS100CBKFV-BP (for 2016 - 2017 model years - NO DRILL)

**IMPORTANT**

TO AVOID DAMAGE TO SPEAKER USE THE SUPPLIED PLASTIC WASHERS ON BOTH SIDES OF METAL BRACKET. AS SHOWN ON PICTURE.



**NOTICE:**

Installers and users must comply with all applicable federal, state and local laws regarding use and installation of warning devices.

Improper use or installation may void warranty coverage. To review our Limited Warranty Statement & Return Policy for this or any SoundOff Signal product, visit our website at [www.soundoffsignal.com/support/](http://www.soundoffsignal.com/support/). If you have questions regarding this product, contact **Technical Services**, Monday - Friday, 8 a.m. to 5 p.m. or after hours 5 p.m. to 8 p.m. EST at 1.800.338.7337 (press #4 to skip the automated message). Questions or comments that do not require immediate attention may be emailed to [techservices@soundoffsignal.com](mailto:techservices@soundoffsignal.com).