

FORD PI SUV FRAME MOUNT SPEAKER BRACKET

ETSS100BKFV-FR (Driver side, for 2013 - 2017 model years)

ETSS100BKFV-FS (Passenger side, for 2013 - 2015 model years)

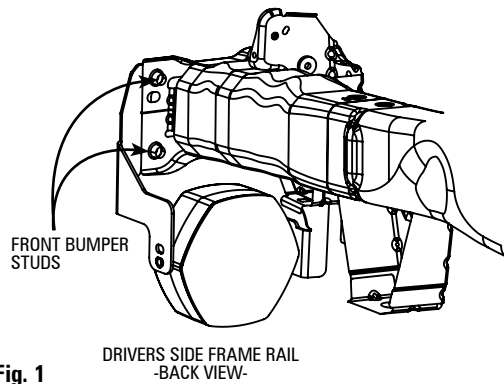


Fig. 1

DRIVERS SIDE FRAME RAIL
-FRONT VIEW-
BUMPER CROSS MEMBER NOT
SHOWN FOR CLARITY

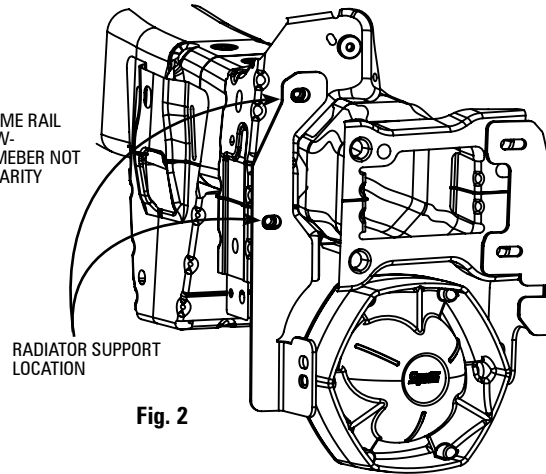


Fig. 2

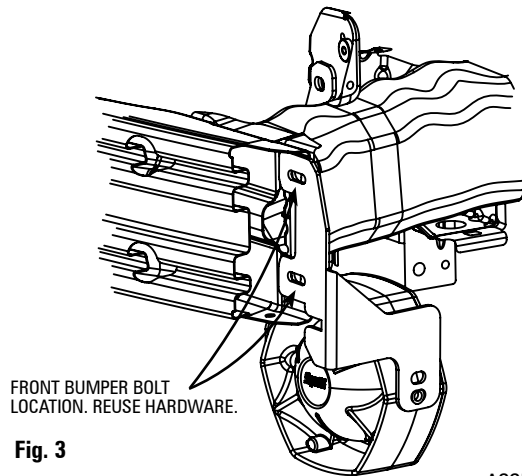
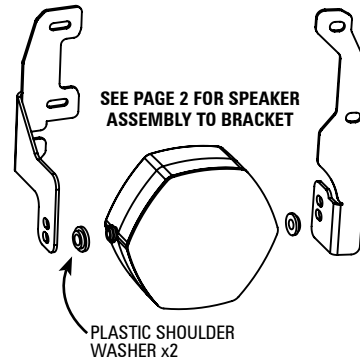


Fig. 3



TO AVOID DAMAGE TO SPEAKER USE THE SUPPLIED
PLASTIC WASHERS ON BOTH SIDES OF METAL
BRACKET. AS SHOWN ON PICTURE.

Fig. 4

ASSEMBLY SHOWN IS REPRESENTATIVE
ONLY. EACH SPEAKER IS SLIGHTLY DIFFERENT
AND INSTALLER IS RESPONSIBLE FOR
SECURE MOUNTING IN BRACKET.

INSTALLATION:

- 1) Front bumper cover assembly must be removed to install speaker bracket. Assembly should be removed as one piece and not individually. Consult a local Ford service center for best disassembly method. Keep all hardware.
- 2) Remove existing radiator support bolts. See fig. 2.
- 3) Use supplied bracket as shown on fig. 2. Re-use radiator support bolts to attach bracket
- 4) To attach outside bracket, use existing bumper stud locations. See fig. 1, 3. Reuse the 2 existing bolts to attach bracket to bumper frame rail.
- 5) Install speaker using the appropriate hardware. See page 2.
- For 100N speakers used supplied hardware kit.**
- 6) Wire speaker to siren output and test.
- 7) Re-install front bumper cover assembly using previously removed hardware.

! WARNING

- Sirens produce loud sounds that may damage hearing
- | Roll up windows
 - | Wear hearing protection
 - | Use only for emergency response
 - | Avoid exposure to siren sound outside of vehicle



TECHNICAL SPECIFICATIONS

Material:	Steel with powder coated black finish
Dimensions (bracket only):	9.4"H x 7.3"W x 2.4"D

NOTICE:

Installers and users must comply with all applicable federal, state and local laws regarding use and installation of warning devices.

Improper use or installation may void warranty coverage. To review our Limited Warranty Statement & Return Policy for this or any SoundOff Signal product, visit our website at www.soundoffsignal.com/sales-support. If you have questions regarding this product, contact **Technical Services**, Monday - Friday, 8 a.m. to 5 p.m. or after hours 5 p.m. to 8 p.m. EST at 1.800.338.7337 (press #4 to skip the automated message). Questions or comments that do not require immediate attention may be emailed to techservices@soundoffsignal.com.

**SoundOff
Signal**
Smart Design.

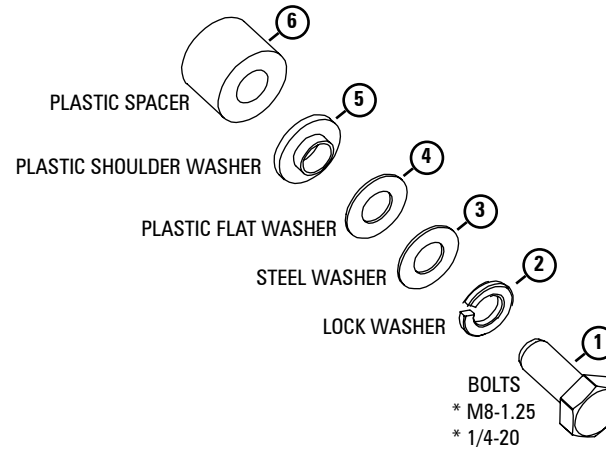
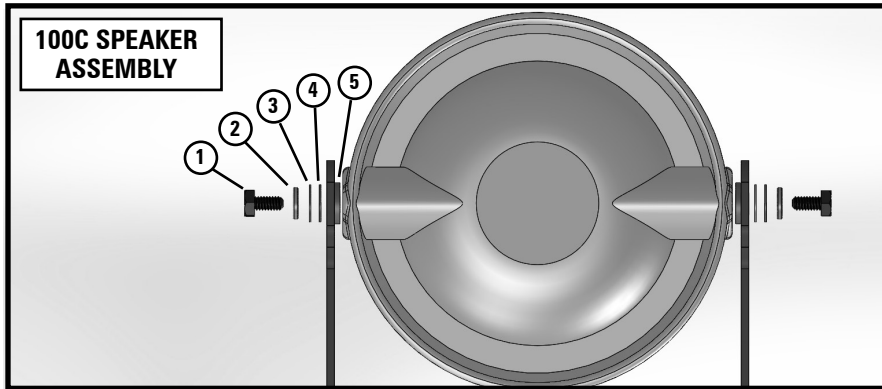
1.800.338.7337 / www.soundoffsignal.com

SUPERIOR CUSTOMER RELATIONSHIPS. SMARTLY DESIGNED LIGHTING & ELECTRONIC SOLUTIONS.

FORD PI SUV FRAME MOUNT SPEAKER BRACKET

ETSS100BKFV-FR (Driver side, for 2013 - 2017 model years)

ETSS100BKFV-FS (Passenger side, for 2013 - 2015 model years)



IMPORTANT

TO AVOID DAMAGE TO SPEAKER USE THE SUPPLIED PLASTIC WASHERS ON BOTH SIDES OF METAL BRACKET. AS SHOWN ON PICTURE.

100N SPEAKER

USE THE LABELED BOLTS IN BAG AND HARDWARE 2 THRU 5.

NOTICE:

Installers and users must comply with all applicable federal, state and local laws regarding use and installation of warning devices.

*Improper use or installation may void warranty coverage. To review our Limited Warranty Statement & Return Policy for this or any SoundOff Signal product, visit our website at www.soundoffsignal.com/sales-support. If you have questions regarding this product, contact **Technical Services**, Monday - Friday, 8 a.m. to 5 p.m. or after hours 5 p.m. to 8 p.m. EST at 1.800.338.7337 (press #4 to skip the automated message). Questions or comments that do not require immediate attention may be emailed to techservices@soundoffsignal.com.*

SoundOff
Signal
Smart Design.

1.800.338.7337 / www.soundoffsignal.com

SUPERIOR CUSTOMER RELATIONSHIPS. SMARTLY DESIGNED LIGHTING & ELECTRONIC SOLUTIONS.