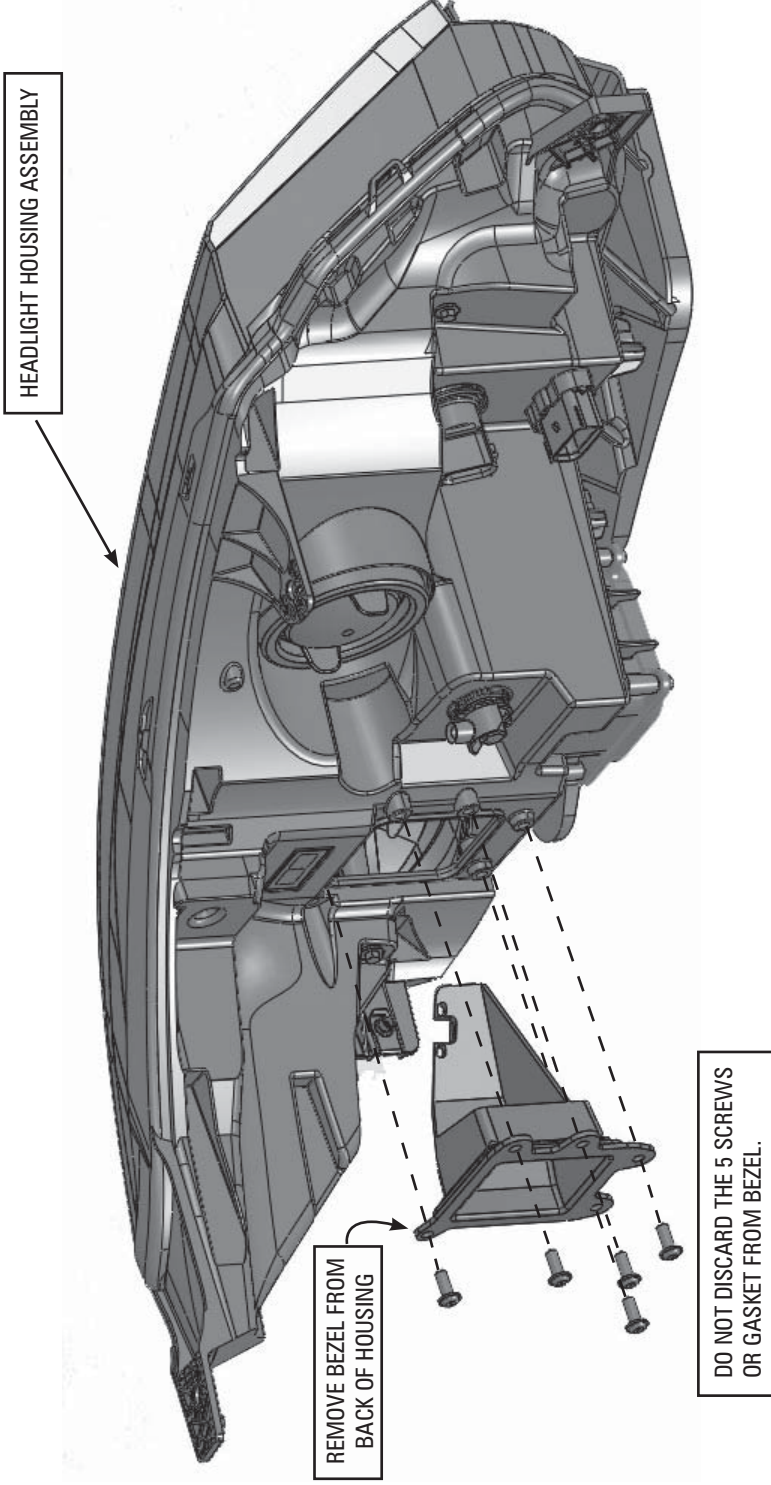


# HEADLIGHT TEMPLATE 2016 + FORD UTILITY GHOST LIGHT DECK GRILL MODULE

## INSTRUCTIONS:

1. For ease of installation, remove both driver and passenger side headlights following the recommended manufacturers method.
2. Remove the 5 screws from back of headlight housing, as show.
3. Once the bezel has been removed from headlight housing, remove the tab noted on page 2.
4. Cut out the paper template and locate on bezel. Drill the holes, notch the wire slot that are associated with the purchased light.



**Soundoff**  
**Signal**  
Smart Design.

1.800.338.7337 / [www.soundoffsignal.com](http://www.soundoffsignal.com)  
Pg. 1

### NOTICE:

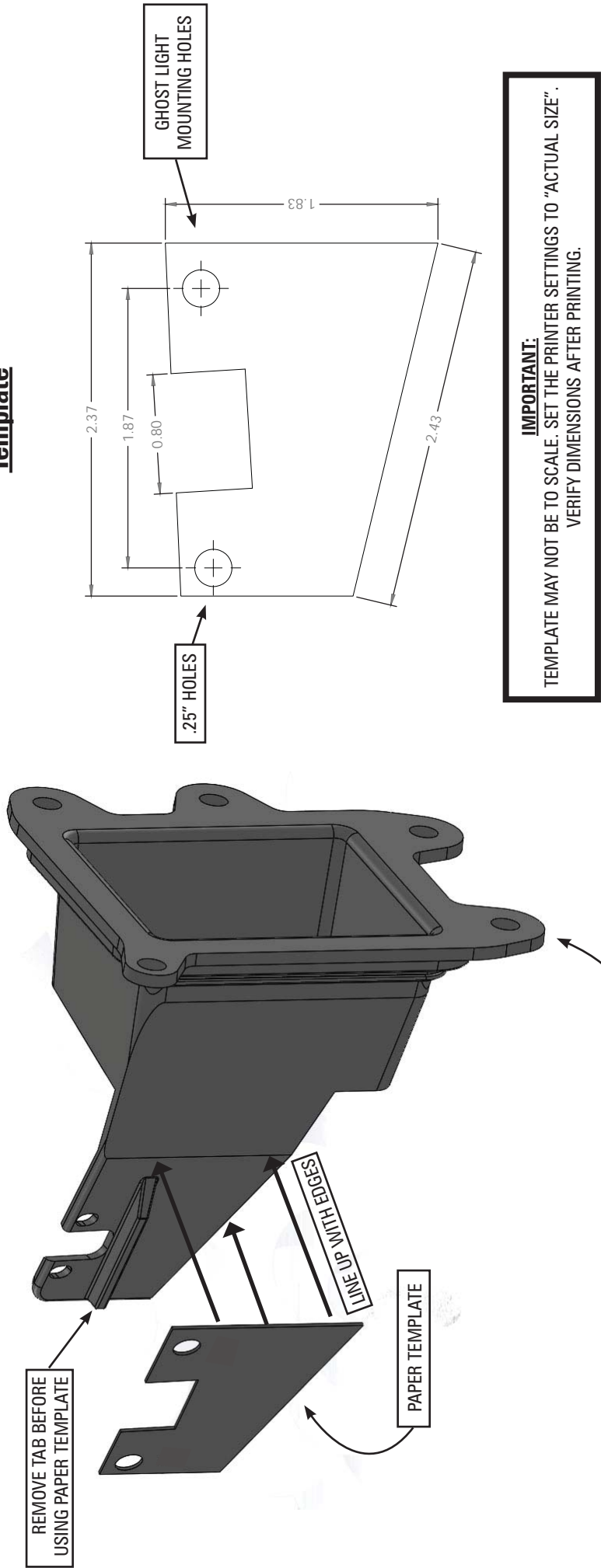
Installers and users must comply with all applicable federal, state and local laws regarding use and installation of warning devices.

Improper use or installation may void warranty coverage. To review our Limited Warranty Statement & Return Policy for this or any SoundOff Signal product, visit our website at [www.soundoffsignal.com/sales-support](http://www.soundoffsignal.com/sales-support). If you have questions regarding this product, contact **Technical Services**, Monday - Friday, 8 a.m. to 5 p.m. or after hours 5 p.m. to 8 p.m. EST at 1.800.338.7337 (press #4 to skip the automated message). Questions or comments that do not require immediate attention may be emailed to [techservices@soundoffsignal.com](mailto:techservices@soundoffsignal.com).

SUPERIOR CUSTOMER RELATIONSHIPS... SMARTLY DESIGNED LIGHTING & ELECTRONIC SOLUTIONS.

**HEADLIGHT TEMPLATE  
2016 + FORD UTILITY  
GHOST LIGHT DECK GRILL MODULE**

**Template**



**NOTICE:**

Installers and users must comply with all applicable federal, state and local laws regarding use and installation of warning devices.

Improper use or installation may void warranty coverage. To review our Limited Warranty Statement & Return Policy for this or any SoundOff Signal product, visit our website at [www.soundoffsignal.com/sales-support](http://www.soundoffsignal.com/sales-support). If you have questions regarding this product, contact **Technical Services**, Monday - Friday, 8 a.m. to 5 p.m. or after hours 5 p.m. to 8 p.m. EST at 1.800.338.7337 (press #4 to skip the automated message). Questions or comments that do not require immediate attention may be emailed to [techservices@soundoffsignal.com](mailto:techservices@soundoffsignal.com).