

bluePRINT®

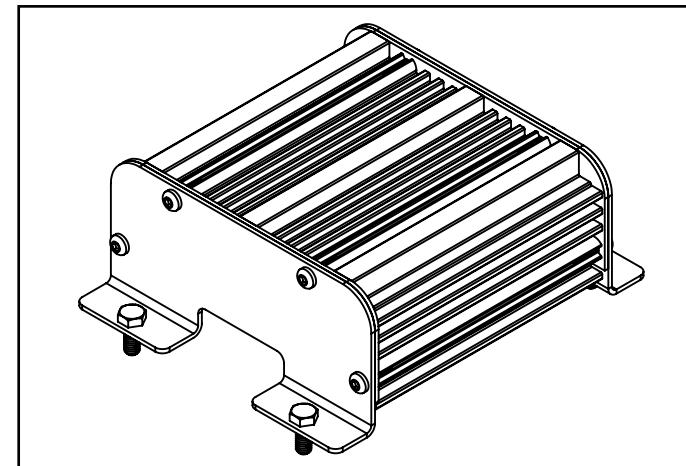
200R SIREN PART NUMBER: ENGSA03021

The 200R Siren is a compact siren that has a small size and remote amplifier for tight spaces for undercover vehicles or motorcycles.

- Class D Technology with high speed digital switching provides higher efficiency, less current draw and better reliability.
- Operates a single 100 watt speaker.
- 20 popular tones (up to 5 tones can be activated from Central Controller Commands):
 - wail
 - yelp
 - piercer
 - hi-lo and super hi-lo plus 4 additional air horn tones available.
- Contains a horn-cut relay to disable the OEM horn when the Horn-Ring (Hands-Free) system feature is enabled.
- Public Address (PA) and (RR) volume levels set via system control panel.
- Park/Kill feature disables the siren when the vehicle is placed in Park.
- Built-in protection against over/under voltage, over temperature, short circuit and reverse polarity.

⚠ WARNING

- HIGH CURRENT interconnects must be properly terminated. Poor crimp quality can cause heat build-up and fire. Follow crimp connector manufacturer instructions.
- DO NOT install this product or route any wires in the Air Bag Deployment Zone. Refer to vehicle Owner's Manual for deployment zones.
- Do NOT use system to disconnect headlights, brake lights or other safety equipment.
- Unit may become hot to touch during normal operation.
- Failure to properly install connectors, fuses or wiring may cause vehicle failure or fire.
- Installation must only be performed by trained technician. Installer must determine vehicle wiring configuration and proper integration of system.
- Use proper wire gauge. All power wires connecting to positive (+) or negative (-) battery terminal or local chassis ground (-) must be sized to supply at least 125% of max. current and properly fused at power source.
- Install protective grommets when routing wire through firewall or metal.



Tech Specs	bluePRINT® Control System 200R Siren
Input Voltage:	10-16Vdc (Negative Ground)
Maximum Input Current:	8 Amps @ 13.6 Vdc (100W Speaker)
Outputs:	100W
Sleep Current:	< 1 mA
Inputs:	1x Horn Ring Input 1x Park Kill 1x CP Back Light 1x Radio Rebroadcast 1x PA
High Voltage Protection:	30Vdc will cause siren output to cease, resume at normal
Low Voltage Protection:	<9.0 Volts will cause siren output to cease and will resume when system voltage is above 10.0 Volts.
Operating Temp:	-40 °C to + 65 °C
Dimensions:	2.3"H x 5.4"W x 4.6"D
Weight, Boxed:	3 lbs.
Weight, Device Only:	.93 lbs.
Valid Input Threshold - High	>10.6V- Park Kill, PTT, Aux, Horn Ring >9.0V- Primary/Secondary Backlight
Valid Input Threshold - Low	<0.6V
Hermetically sealed, providing protection in wet areas	

NOTICE:

Installers and users must comply with all applicable federal, state and local laws regarding use and installation of warning devices.

Improper use or installation may void warranty coverage.

To review our Limited Warranty Statement & Return Policy for this or any SoundOff Signal product, visit our website at www.soundoffsignal.com/tech-services/returns/. If you have questions regarding this product, contact **Technical Services**, Monday - Friday, 8 a.m. to 5 p.m. or after hours 5 p.m. to 8 p.m. ET at **1.800.338.7337** (press #4).

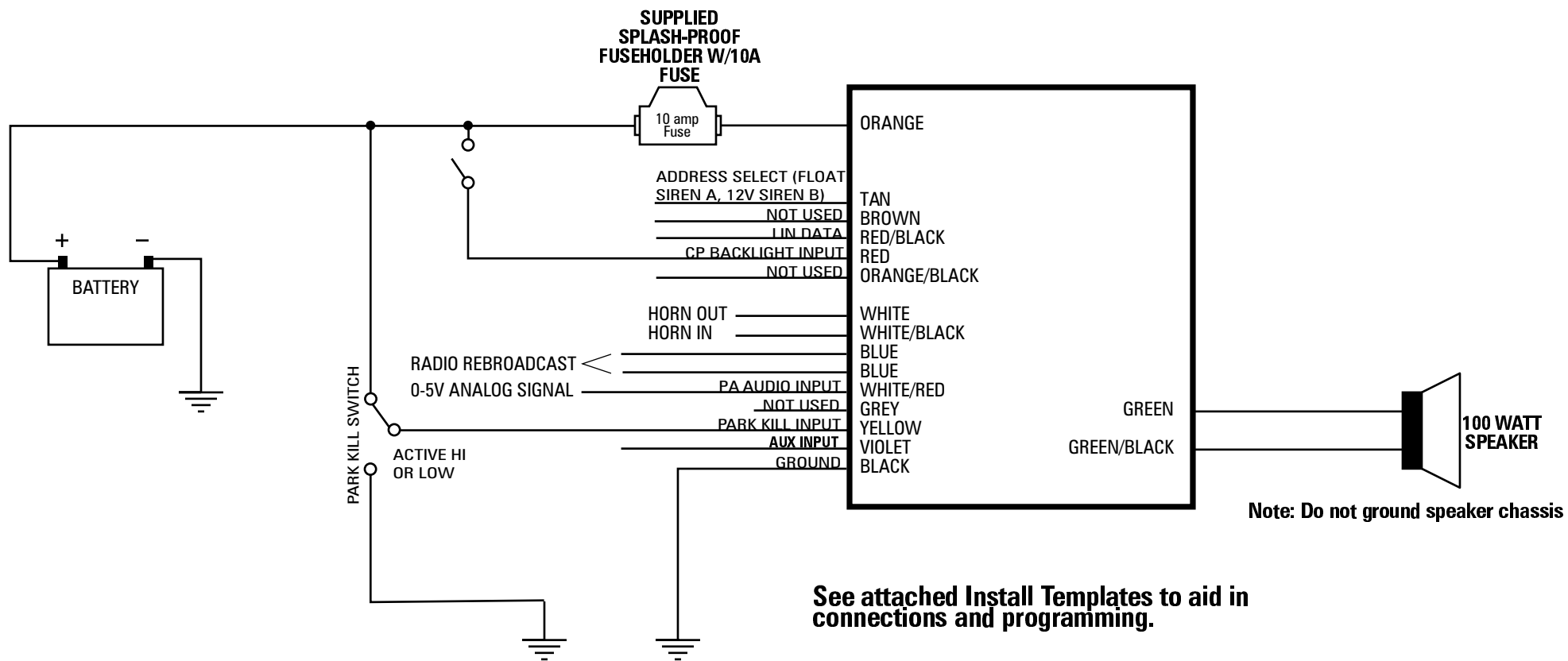
Questions or comments that do not require immediate attention may be emailed to techservices@soundoffsignal.com.

**SoundOff
Signal** 

1.800.338.7337 / www.soundoffsignal.com

SUPERIOR CUSTOMER RELATIONSHIPS. SMARTLY DESIGNED LIGHTING & ELECTRONIC SOLUTIONS.

EVCS_200R_Siren 0419



NOTICE:

Installers and users must comply with all applicable federal, state and local laws regarding use and installation of warning devices.

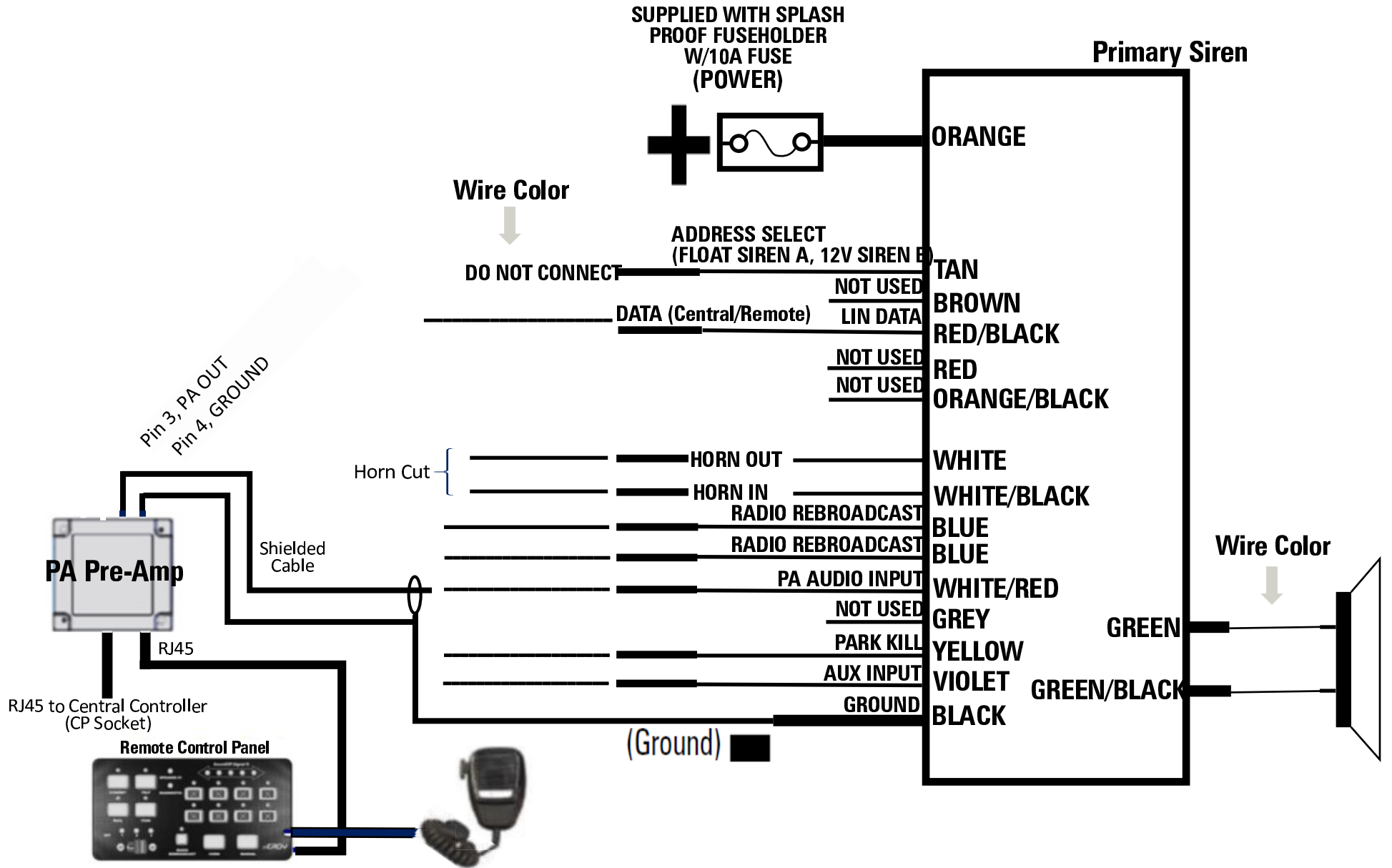
Improper use or installation may void warranty coverage.

To review our Limited Warranty Statement & Return Policy for this or any SoundOff Signal product, visit our website at www.soundoffsignal.com/tech-services/returns/. If you have questions regarding this product, contact **Technical Services**, Monday - Friday, 8 a.m. to 5 p.m. or after hours 5 p.m. to 8 p.m. ET at **1.800.338.7337** (press #4).

Questions or comments that do not require immediate attention may be emailed to techservices@soundoffsignal.com.

PRIMARY 200R SIREN NODE INSTALL TEMPLATE

Department: _____
 Vehicle: _____
 Installer / Date: _____
 Mounting Location: _____



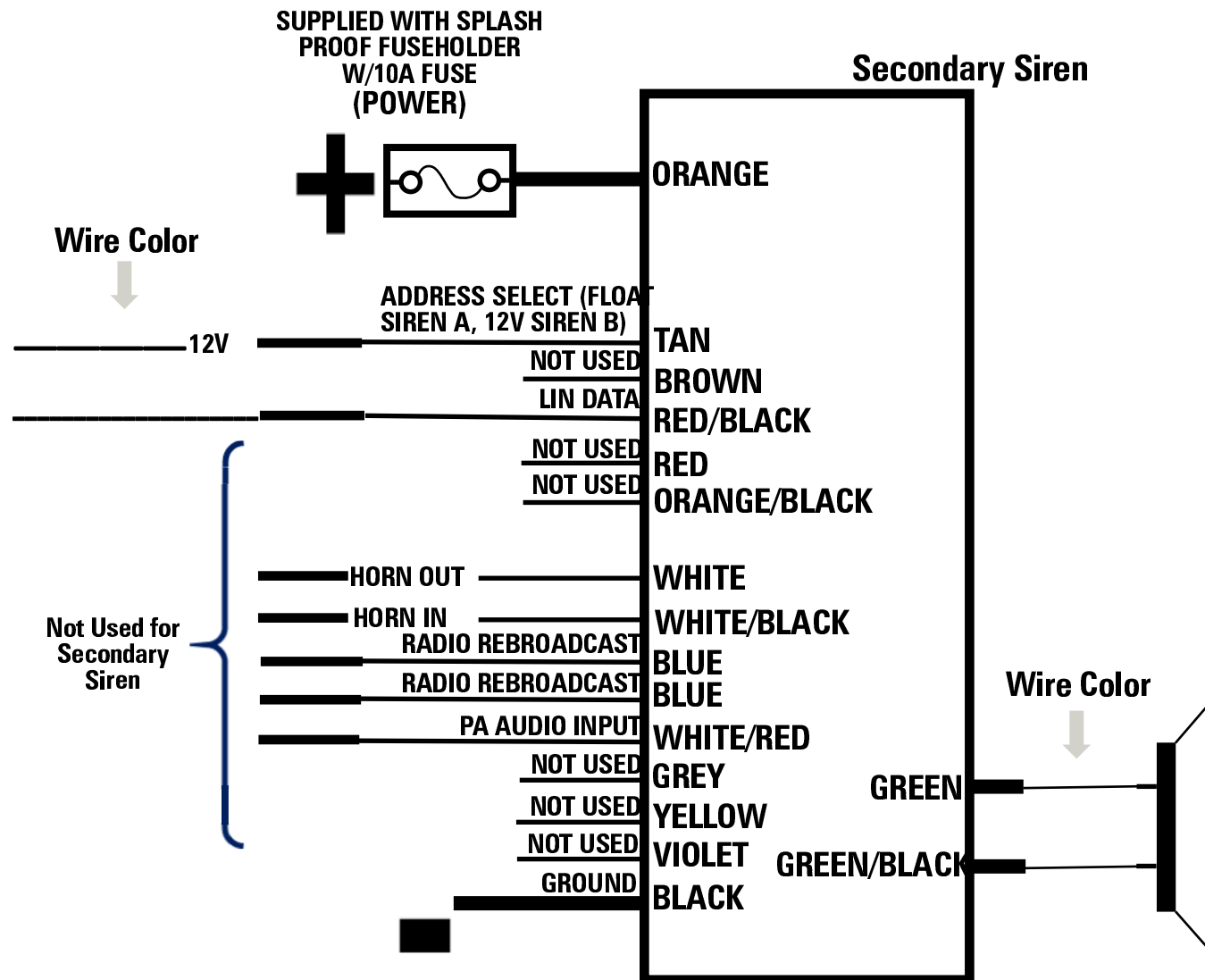
PRIMARY 200R SIREN NODE INSTALL TEMPLATE

Department: _____

Vehicle: _____

Installer / Date: _____

Mounting Location: _____



**PA Pre-Amp Not Used
for Secondary Siren**