

VARIED FLASH™ FLASHBACK REAR FLASHER SYSTEM (ETVFB5-P)

Congratulations! You are now the proud owner of the most technically advanced Tail Light Flasher System in the market today. Add it to our never ending commitment to quality, this new Flasher System will provide you with years of dependable trouble free service.

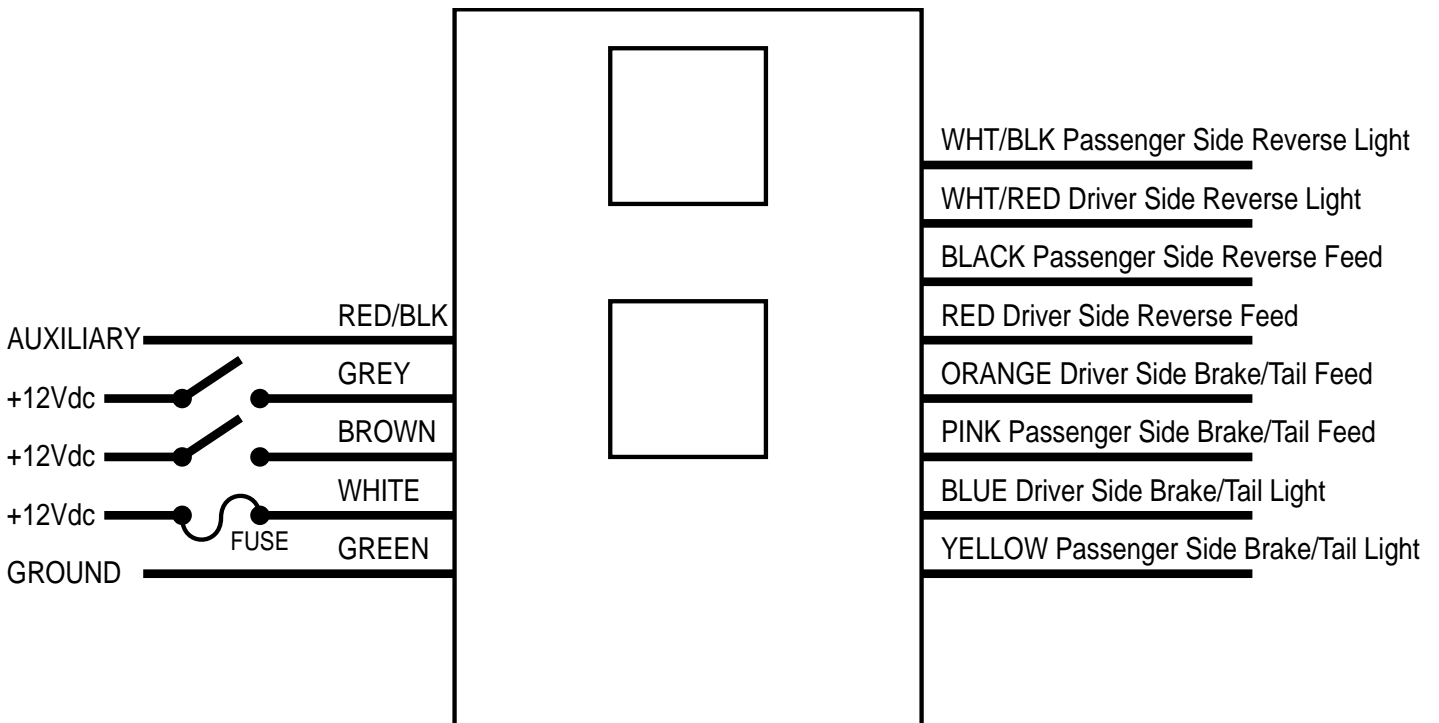
The SoundOff Signal Varied Flashback utilizes the existing brake and backup lights on any vehicle with a 12 Vdc negative ground system.

The ETVFB5-P flasher module provides 3 different flash patterns by connecting the brown and grey control wires as follows:

Applying +12Vdc to the brown wire provides our standard flashback alternating pattern which flashes between the brake lights and the reverse lights a 2.5 flashes per second.

Applying +12Vdc to the grey wire provides a double flash pattern which alternates between the brake lights and reverse light at 3.0 flashes per second.

Applying +12Vdc to the brown and grey wires provides a multi-pattern flash between the brake lights and reverse lights. This pattern provides double flash alternating, double flash simultaneous pattern and fast wig-wag for the brake lights and reverse lights



CAUTION

Some vehicle manufacturers may NOT allow the use of this product on vehicles that they manufacture. Please consult your operator's manual prior to installation. Also, make sure you fully read and understand all instructions before attempting to install the Flashback Flasher.

INSTALLATION

MOUNTING: Mount in the vehicle's trunk near the brake lights.

CONNECTIONS: Use 18 gauge wire on all extensions except for the white wire where 16 gauge wire is recommended.

GREEN WIRE: Connect to a convenient reliable ground.

BLUE, ORANGE, YELLOW AND PINK WIRES: Connect to the brake light wires as shown in the diagram.

RED, BLACK, WHT / RED, WHT / BLACK WIRES: Connect to the reverse light wires as shown in the diagram.

WHITE WIRE: Connect through a 20 amp fuse directly to the positive post of the battery or other high current power source. We recommend the use of a fuse **ONLY** - **DO NOT CONNECT THE FLASHER SYSTEM TO A CIRCUIT BREAKER OR FUSIBLE LINK.**

BROWN, GREY WIRE: Connect to powered switches. This switch will only require 1 amp to activate the flasher.

RED / BLACK WIRE: Auxiliary Output to control Package Tray Lights. Refer to Figure 1 for connection instructions.

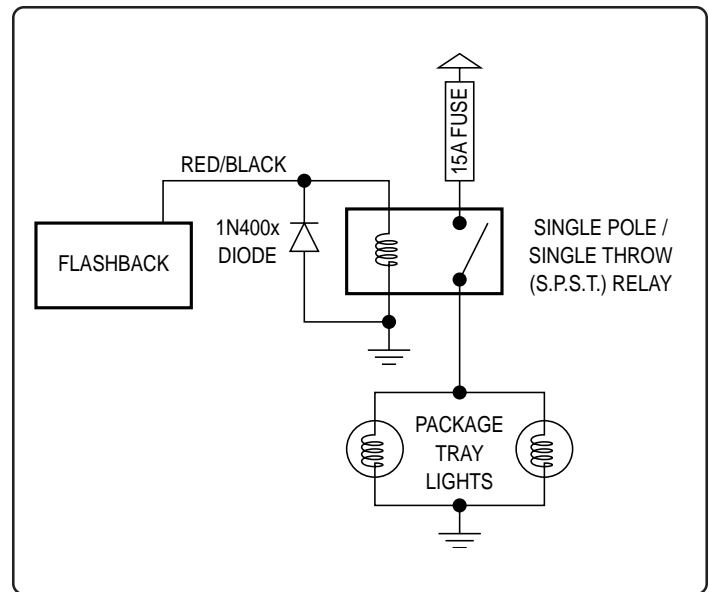
IMPORTANT

TEST: Vehicle Safety Systems and Flasher.

1. Set emergency / parking brake and start the vehicle.
2. With Flasher OFF, attempt to shift the transmission out of PARK without depressing the brake. TRANSMISSION MUST NOT SHIFT. If the vehicle shifts from PARK, disconnect the Flasher, restore vehicle wiring and contact SoundOff Signal Technical Support Department for further instructions.
3. With Flasher ON, attempt to shift the transmission out of PARK without depressing the brake. TRANSMISSION MUST NOT SHIFT. If the vehicle shifts from PARK, disconnect the Flasher, restore vehicle wiring and contact SoundOff Signal Technical Support Department for further instructions.
4. Periodically have the operator of the vehicle repeat the above test to ensure proper operation of the vehicle safety systems.

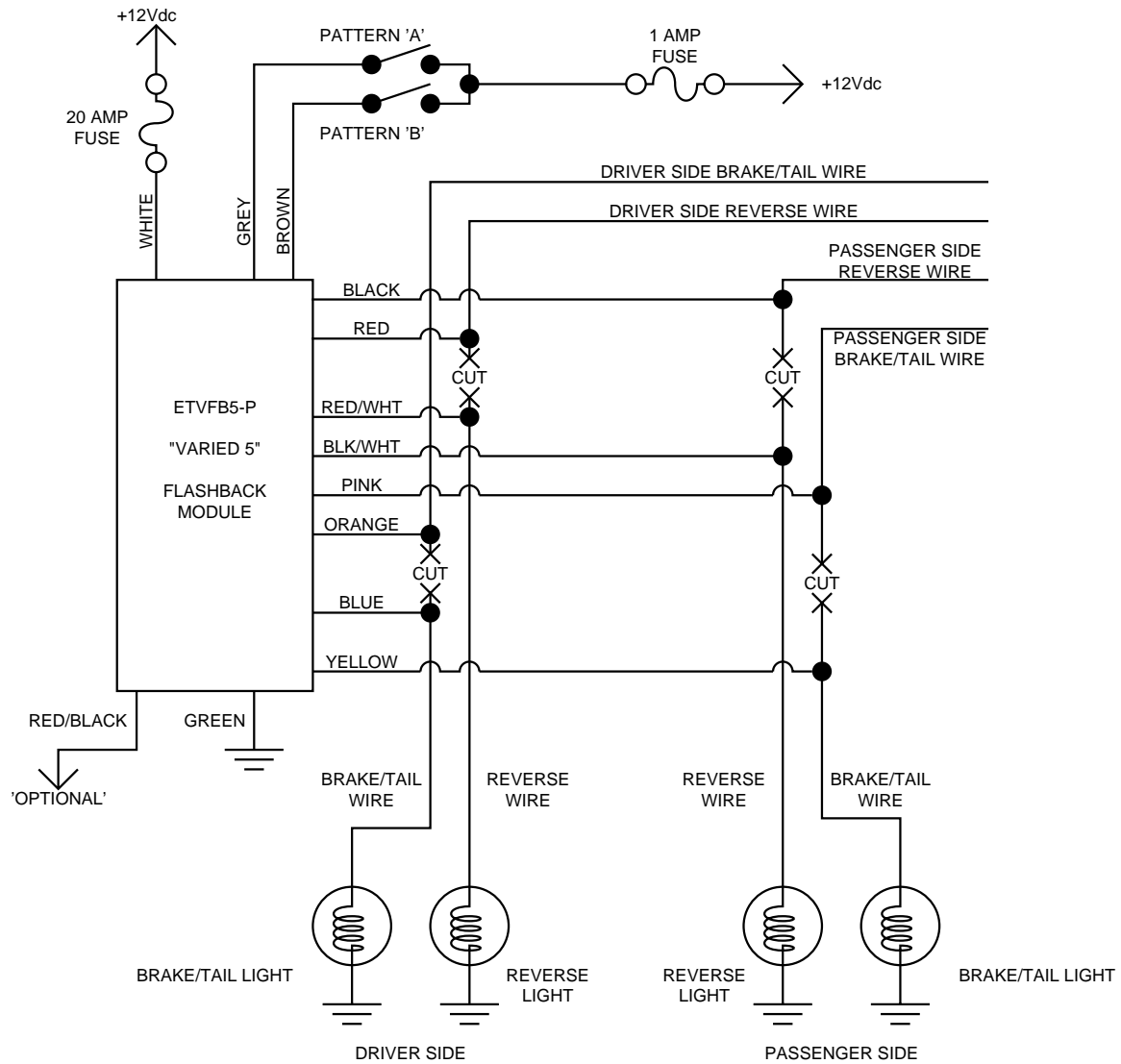
WARNING

DO NOT connect the ETVFB5-P Tail Light Flasher to the High Mounted Stop Lamp (i.e. "Cyclops", "Center Light", "CHMSL"). Flashing the High Mounted Stop Lamp violates Federal Motor Vehicle Safety Standard (FMVSS) No. 108 which requires the High Mounted Stop Lamp only illuminate when applying the brakes.



Warning

The brake light wires from the flasher module are **ONLY** to be connected to the brake light wires in the vehicle as shown in the diagram and the reverse light wires from the flasher are **ONLY** to be connected to the reverse light wires in the vehicle. Connecting the brake light wires or the reverse light wires of the flasher in any other manner can cause serious damage to the vehicle's wiring system and damage the flasher module.



NOTE: IT IS RECOMMENDED TO INSTALL THE FLASHER MODULE BEHIND THE DRIVER SIDE TAILLIGHT HOUSING. EXTEND THE WIRES FOR THE PASSENGER SIDE LIGHTS AND MAKE THOSE CONNECTIONS.

NOTE: FOR VEHICLES THAT REQUIRE BLOCKING DIODES IN THE REVERSE WIRE. USE OF THE VARIED 5 FLASHBACK PROVIDES THE BLOCKING DIODES INTERNALLY.

WARRANTY

SoundOff Signal warrants the ETVFB5 Flasher System for one (1) full year from the date of purchase to the original purchaser against any manufactured defects or workmanship. This warranty applies only to units installed according to manufacturer's installation instructions and operated within the unit's specifications, exclusive of the relay.

Warranty is void if the unit was installed incorrectly or maliciously damaged.

All warranty claims must be accompanied by a dated proof of purchase.

SoundOff Signal retains the right to be the sole mediator of what constitutes defects in performance or manufacturing.