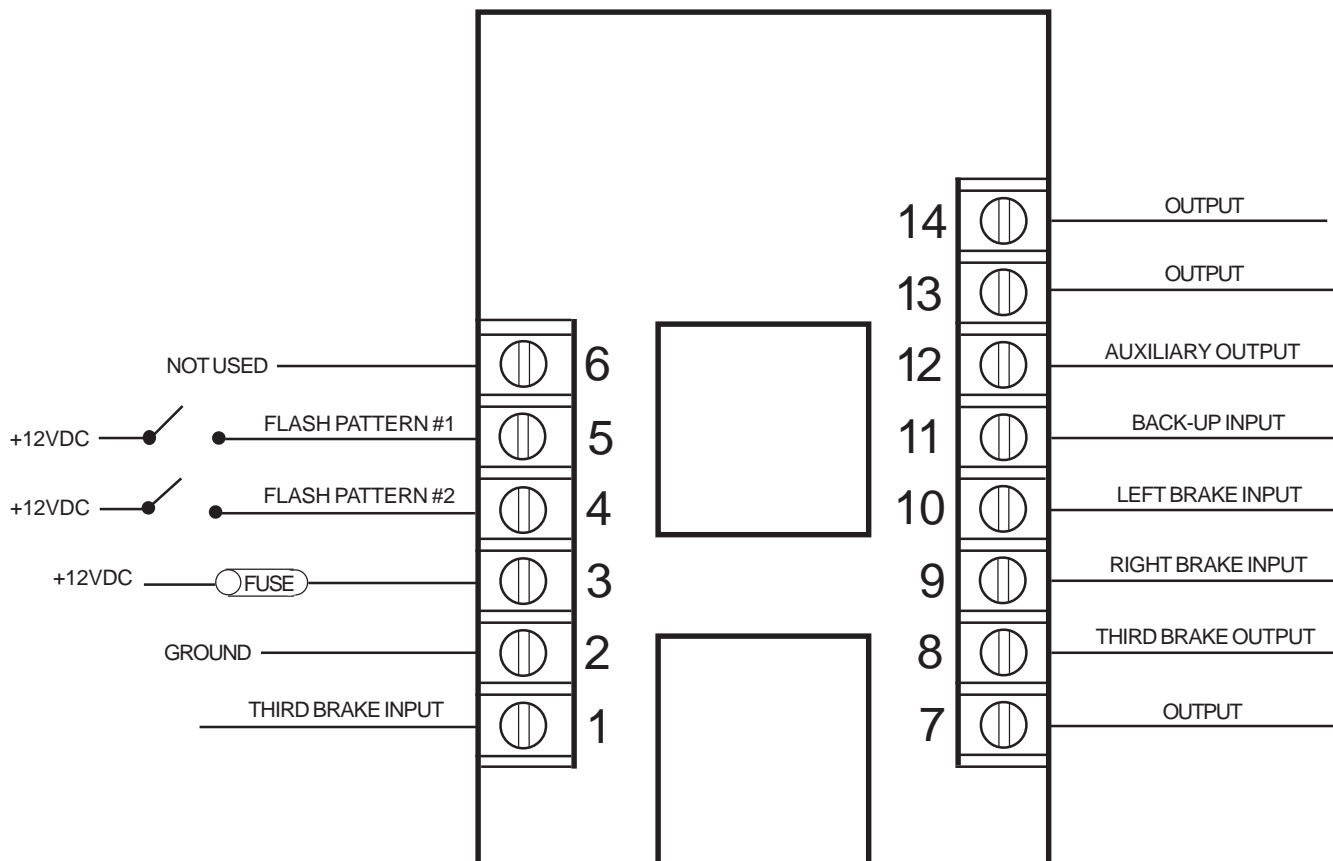


ALTERNATING REAR FLASHER VARIED FLASHBACK (ETVFB0-P)

Congratulations! You are now the proud owner of the most technically advanced Tail Light Flasher System in the market today. Add it to our never ending commitment to quality, this new Flasher System will provide you with years of dependable trouble free service.

The SoundOff Signal Varied Flashback utilizes the existing brake and backup lights on any vehicle with a 12 Vdc negative ground system.

A properly installed Varied Flashback will continuously cycle through three flash patterns on a vehicle's brake and backup lights: a double flash wig wag (alternating) at 1.9 flashes per second, a simultaneous (modulating) flash at 3.0 flashes per second and a fast wig wag (alternating) flash at 3.0 flashes per second. The flash pattern can be changed to a simultaneous pattern at a rate of 3.0 flashes per second by supplying 12 volts to terminal #4.

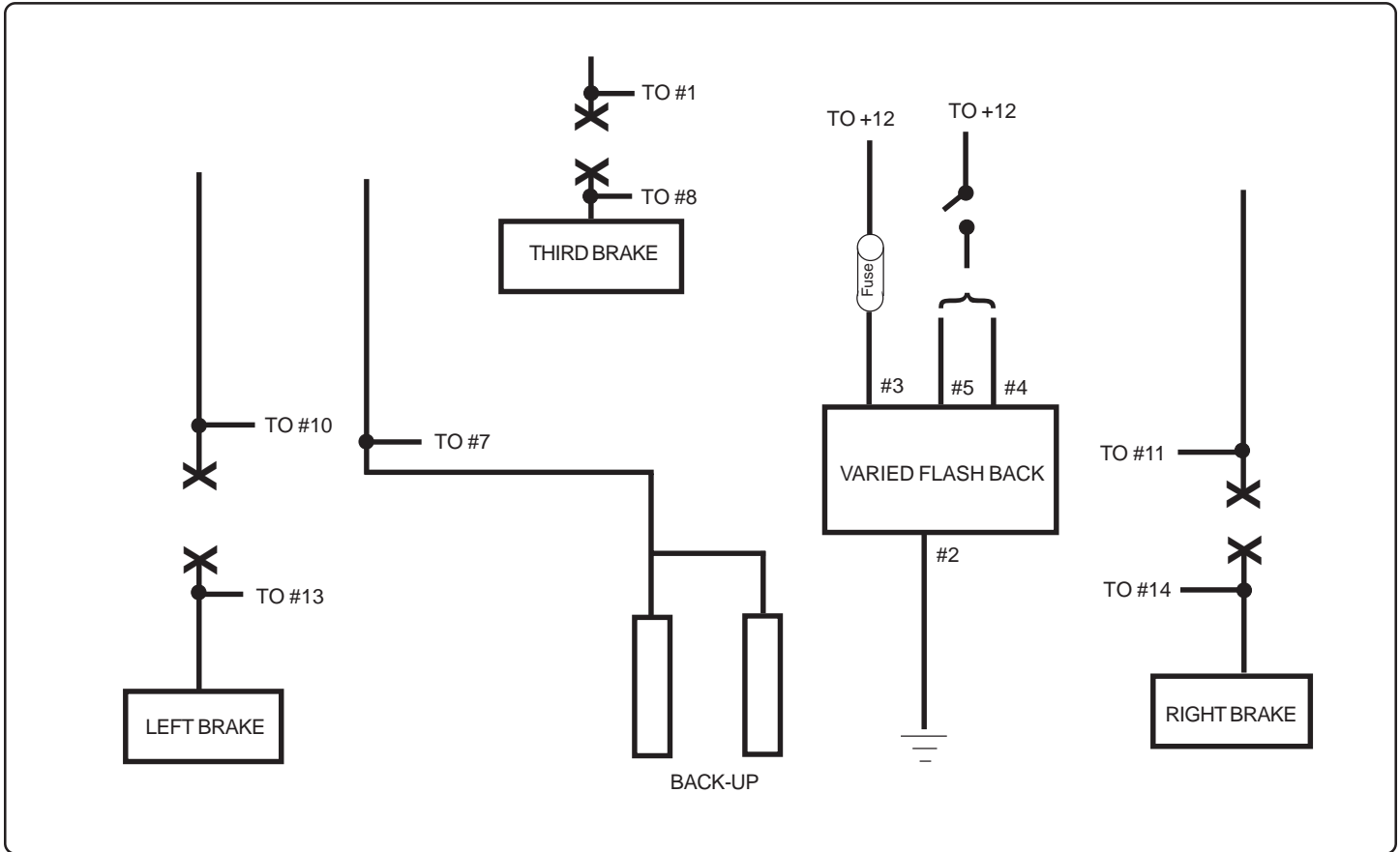


FLASH PATTERN: Terminals #12, #13, #14 then
Terminals #7, #8

Terminals #7, #12, #13, #14 rated at 52 Watts (4.2 Amps)
Terminal #8 rated at 26 Watts (2.1 Amps)

Hook-Up #1

Flashes Right Brake and Left Brake Lights against Third Brake and Back-Up Lights



INSTALLATION

MOUNTING: Mount in the trunk near the brake lights.

CONNECTION: Use 18 gauge 105°C wire on all extensions except use 16 gauge on Terminal #3.

TERMINAL #2: Connect to a convenient ground.

TERMINALS #10 & #13: Locate and cut the wire that feeds power to the left brake light. Connect terminal #13 to the wire that goes on to the brake light. Connect terminal #10 to the remaining lead that comes from the front of the vehicle.

TERMINALS #11 & #14: Locate and cut the wire that feeds power to the right brake light. Connect terminal #7 to the wire that goes back to the brake light. Connect terminal #9 to the remaining lead that comes from the front of the vehicle.

TERMINALS #1 & #8: Locate and cut the wire that feeds power to the third brake light. Connect terminal #8 to the wire that goes back to the third brake light. Connect terminal #1 to the remaining lead that comes from the front of the vehicle.

TERMINAL #7: Locate the wire that feeds power to the back-up lights. Connect terminal #7 to the wire that goes to the back-up light.

TERMINALS #5 & #4: Select the flash pattern you want (#5 is multi-pattern, #4 is modulation). Connect terminal #5 or #4 to a source of 12 VDC power through a user supplied switch.

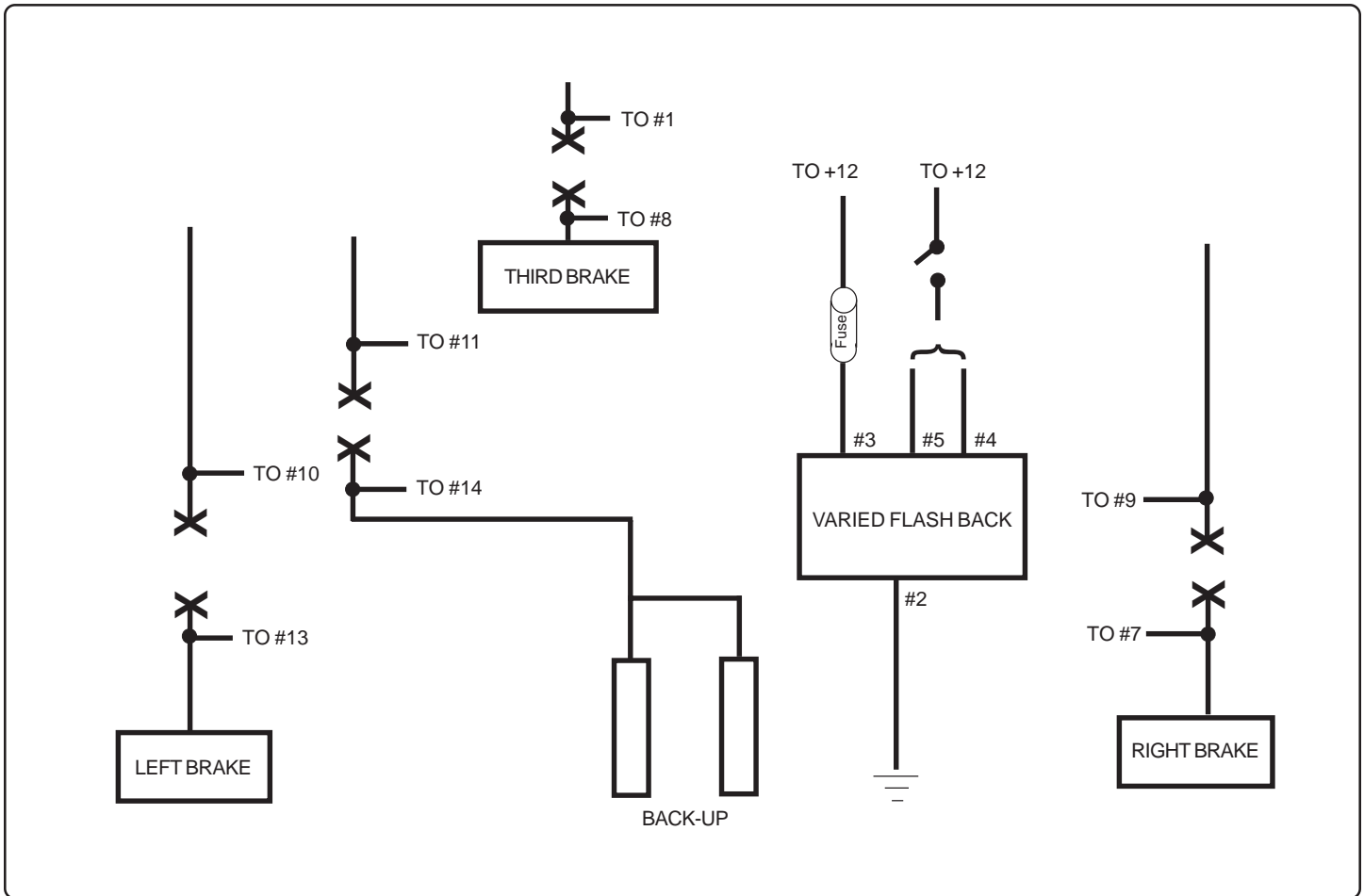
TERMINAL #3: Connect terminal #3 to a 20 Amp A.T.O. type fuse. Connect the other end of the fuse to the positive post of the battery or other high current power source. **DO NOT CONNECT THE FLASHER TO A CIRCUIT BREAKER OR FUSIBLE LINK.**

TERMINAL #12: Auxiliary output. Rated at 4 amps maximum. Flashes with terminals #13 & #14.

TERMINALS #6 & #9: Not used.

Hook-Up #2

Flashes Left Brake and Back-Up Lights against Third Brake and Right Brake Lights



INSTALLATION

MOUNTING: Mount in the trunk near the brake lights.

CONNECTION: Use 18 gauge 105°C wire on all extensions except use 16 gauge on Terminal #3.

TERMINAL #2: Connect to a convenient ground.

TERMINALS #10 & #13: Locate and cut the wire that feeds power to the left brake light. Connect terminal #13 to the wire that goes on to the brake light. Connect terminal #10 to the remaining lead that comes from the front of the vehicle.

TERMINALS #7 & #9: Locate and cut the wire that feeds power to the right brake light. Connect terminal #7 to the wire that goes back to the brake light. Connect terminal #9 to the remaining lead that comes from the front of the vehicle.

TERMINALS #1 & #8: Locate and cut the wire that feeds power to the third brake light. Connect terminal #8 to the wire that goes back to the third brake light. Connect terminal #1 to the remaining lead that comes from the front of the vehicle.

TERMINALS #11 & #14: Locate and cut the wire that feeds power to the back-up lights. Connect terminal #14 to the wire that goes back to the back-up light. Connect terminal #11 to the remaining lead that comes from the front of the vehicle.

TERMINALS #5 & #4: Select the flash pattern you want (#5 is multi-pattern, #4 is modulation). Connect terminal #5 or #4 to a source of 12 VDC power through a user supplied switch.

TERMINAL #3: Connect terminal #3 to a 20 Amp A.T.O. type fuse. Connect the other end of the fuse to the positive post of the battery or other high current power source. **DO NOT CONNECT THE FLASHER TO A CIRCUIT BREAKER OR FUSIBLE LINK.**

TERMINAL #12: Auxiliary output. Rated at 4 amps maximum. Flashes with terminals #13 & #14.

WARRANTY

SoundOff Signal warrants the ETVFB0 Flasher System for one (1) full year from the date of purchase to the original purchaser against any manufactured defects or workmanship. This warranty applies only to units installed according to manufacturer's installation instructions and operated within the unit's specifications, exclusive of the relay.

Warranty is void if the unit was installed incorrectly or maliciously damaged.

All warranty claims must be accompanied by a dated proof of purchase.

SoundOff Signal retains the right to be the sole mediator of what constitutes defects in performance or manufacturing.

Flashback covered by U.S. Patent #'s 4114071, 4309639, 4859988