

## VARIED FLASH (ETVF00-P)

Congratulations! You are now the proud owner of the most technically advanced Alternating Headlight Flasher System in the market today. Add to it our never ending commitment to quality, this new Flasher System will provide you with years of dependable trouble free service.

The SoundOff Signal Varied Flash will operate a 2 or 4 headlight system on any vehicle with a 12 Vdc negative ground system.

### NOTE

Please contact SoundOff Signal before attempting to install on any foreign vehicle (non-General Motors, Ford or Chrysler) or one that has a Daylight Running circuit for its headlights.

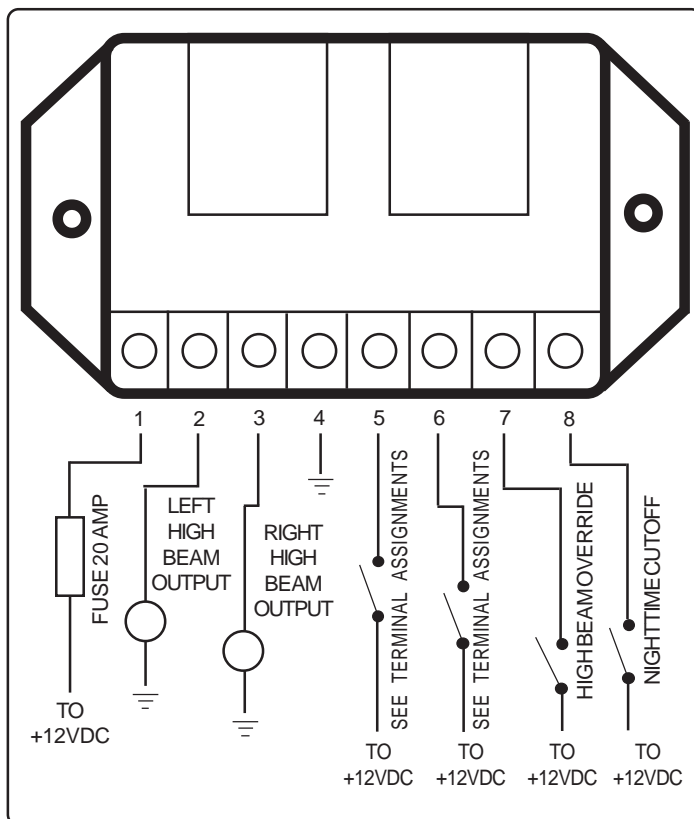


Figure 1.

Wire - 16 gauge, 105° minimum (Beldon 1015MTW or GXL Type)

Fuse - Size to 140 to 150% of maximum amp capacity (i.e. 10 amp load - 15 amp fuse). Use ATO (auto) type fuse ONLY. NO CIRCUIT BREAKERS OR FUSIBLE LINKS.

### Terminal #1

Connect through an ATO type fuse to the positive post of the battery or other high current source. DO NOT CONNECT THE FLASHER SYSTEM TO A CIRCUIT BREAKER OR FUSIBLE LINK.

### Terminal #2

Left (driver's) side high beam output, 150 watts (12 amps) maximum.

### Terminal #3

Right (passenger's) side high beam output, 150 watts (12 amps) maximum.

### Terminal #4

To battery negative or ground.

### Terminal #5

3 Double Alternating then 2 Simultaneous when activated by positive 12 Vdc.

### Terminal #6

Simultaneous when activated by positive 12 Vdc.

### Terminal #5 and #6

3 Double Alternating, then 3 Simultaneous, then 2 Single Alternating, then 3 Simultaneous when activated by positive 12 Vdc.

### Terminal #7

Both output ON (High Beam Override) when activated by positive 12 Vdc.

### Terminal #8

Both outputs OFF (Nighttime Cutoff) when activated by positive 12 Vdc.

## VEHICLE INSTALLATION

**MOUNTING:** Secure the unit in an area away from high heat sources and excessive water.

**TERMINAL #4:** Connect to a convenient reliable ground.

**TERMINAL #2 AND #3:** Locate the wire(s) that supplies power to the passenger's and driver's side high beam lights. Cut the wires close to the headlights. Connect terminal #2 to one headlamp and terminal #3 to the other headlamp, see Figures 2, 3, 4 and 5. Tape up the remaining cut wire ends.

**TERMINAL #5 OR #6:** Connect either terminal, depending on flash pattern needed, to a source of power through a switch.

**TERMINAL #1:** Connect through an ATP type 20 amp fuse direct to a high current source. **DO NOT USE CIRCUIT BREAKERS OR FUSIBLE LINKS.**

**TERMINAL #7:** Nighttime Cutoff

Manual: Connect to a source of positive power through a switch.

Automatic: Connect to either the HOT low beam wire or HOT parking light wire, see Figures 2, 3, 4.

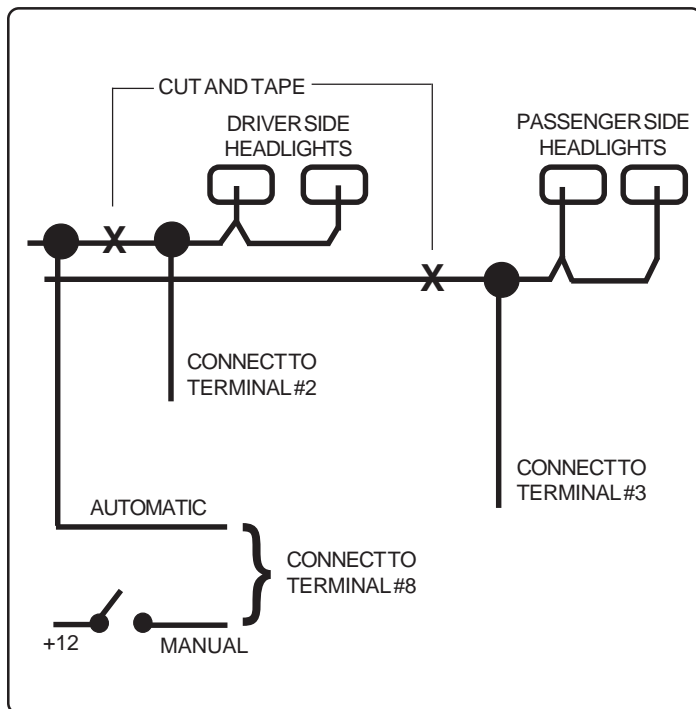
Not Used: Connect to ground.

**TERMINAL #8:** High Beam Override

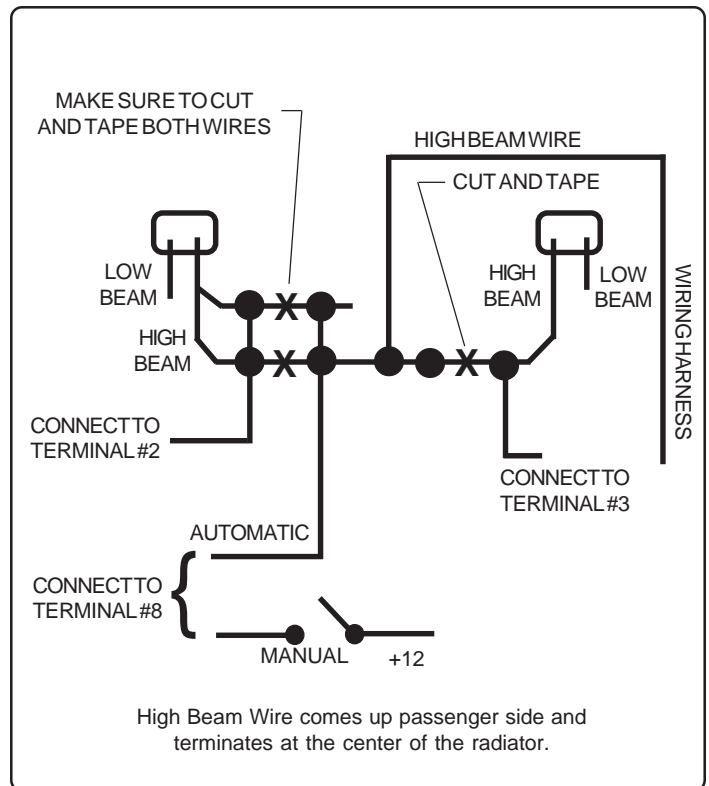
Manual: Connect to a source of positive power through a switch.

Automatic: Connect to the high beam wire in the vehicle that comes from the dimmer switch, see Figures 2, 3, 4.

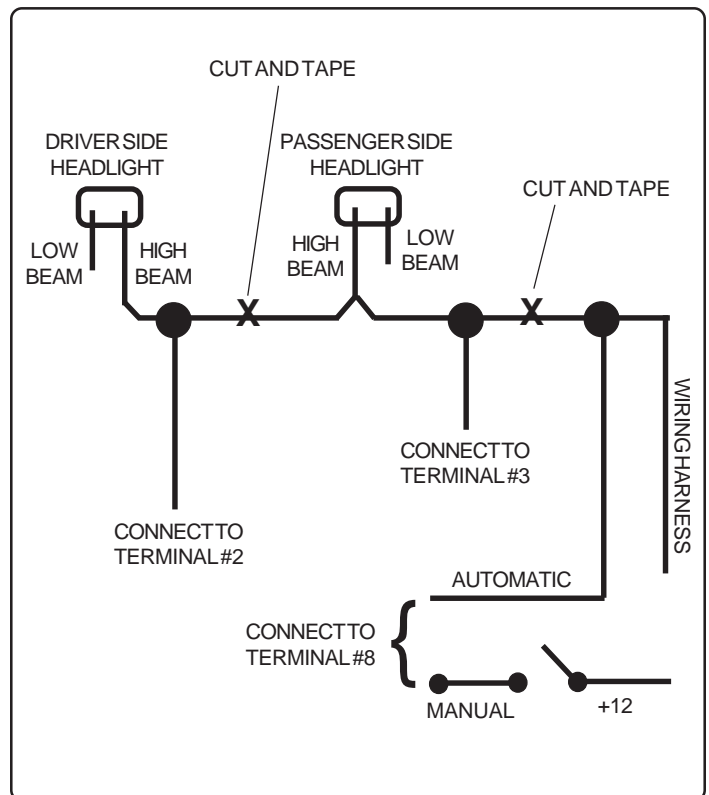
Not Used: Connect to ground.



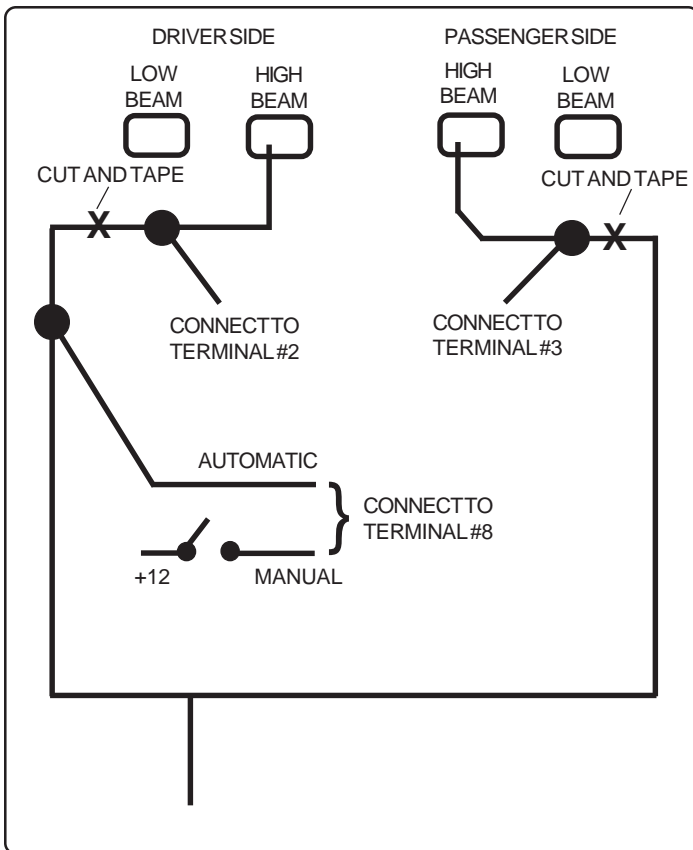
**Figure 2. Double High Beam Wire w/ Wire Harness on Driver's Side**



**Figure 3. Single High Beam Wire to center of Radiator for 1992 and newer Ford Crown Victoria**



**Figure 4. Single High Beam Wire w/ Wire Harness on Passenger's Side for 1993 and newer Chevrolet Caprice.**



**Figure 5. Single High Beam and Single Low Beam on both side of the vehicle.**

## DECK / GRILLE FLASHER INSTRUCTIONS

Connect TERMINAL #2 to one light.

Connect TERMINAL #3 to the other light.

Connect TERMINAL #4 to battery negative or ground.

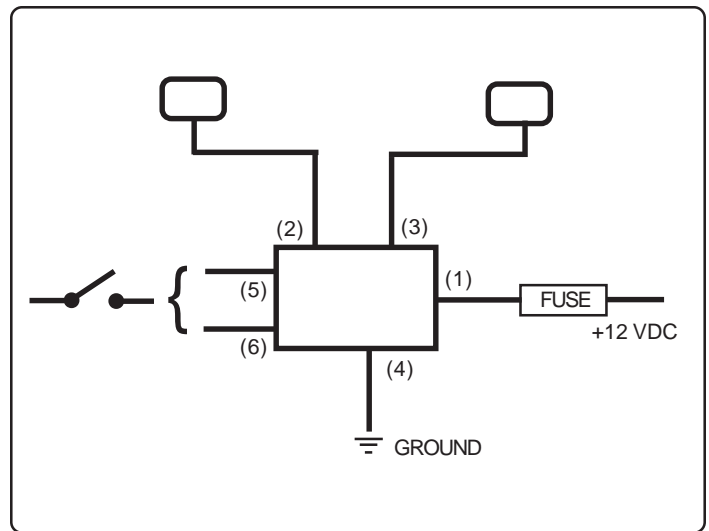
Connect TERMINAL #1 to battery positive through an ATO type fuse.

Connect TERMINAL #5 or #6 to a switched source of power depending on flash pattern desired.

### OPTIONAL

Connect TERMINAL #7 to a switch source of power to turn both lights on steady.

Connect TERMINAL #8 to a switched source of power to turn both lights OFF (pause).



**Figure 6. Deck / Grille Flasher Installation**

## WARRANTY

SoundOff Signal warrants the ETVF00-P Electronic Flasher System for one (1) full year from the date of purchase to the original purchaser against any manufactured defects or workmanship. This warranty applies only to units installed according to manufacturer's installation instructions and operated within the units specifications.

Warranty is void if the unit was installed incorrectly or maliciously damaged.

All warranty claims must be accompanied by a dated proof of purchase.

SoundOff Signal retains the right to be the sole mediator of what constitutes defects in performance or manufacturing.

Covered by U.S. Patents #4114071 and #4309639.