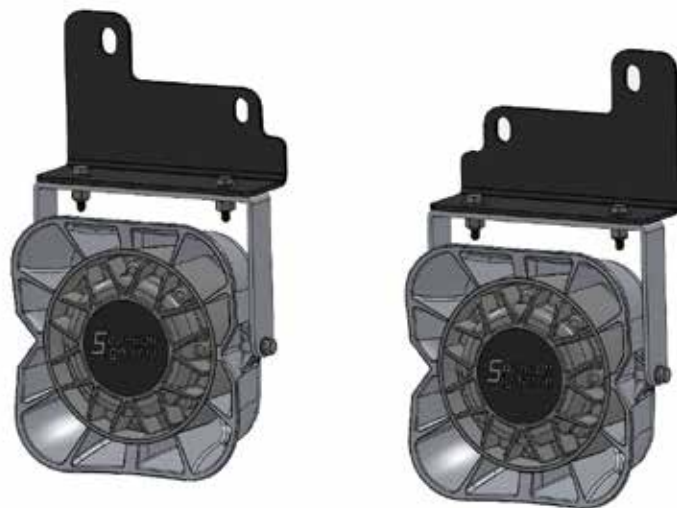


**100N / 100J / 100U SERIES SPEAKER BRACKET (only - no drill)
for the Chevrolet Silverado 1500 2019.5 - 2022, Bumper Mount**

ETSSVBK02 - Driver Side
ETSSVBK03 - Passenger Side



ETSS100J SPEAKER*
SHOWN WITH FULL BRACKET ASSEMBLY
(EACH SIDE SOLD SEPARATELY)

⚠ WARNING

- HIGH CURRENT interconnects must be properly terminated. Poor crimp quality can cause heat build-up and fire. Follow crimp connector manufacturer instructions.
- DO NOT install this product or route any wires in the Air Bag Deployment Zone. Refer to vehicle Owner's Manual for deployment zones.
- Do NOT use system to disconnect headlights, brake lights or other safety equipment.
- Unit may become hot to touch during normal operation.
- Failure to properly install connectors, fuses or wiring may cause vehicle failure or fire.
- Installation must only be performed by trained technician. Installer must determine vehicle wiring configuration and proper integration of system.
- Use proper wire gauge. All power wires connecting to positive (+) or negative (-) battery terminal or local chassis ground (-) must be sized to supply at least 125% of max. current and properly fused at power source.
- Install protective grommets when routing wire through firewall or metal.
- Adhere to all OEM specifications and requirements to maintain OEM warranty.

NOTICE:

Installers and users must comply with all applicable federal, state and local laws regarding use and installation of warning devices.

Improper use or installation may void warranty coverage.

To review our Limited Warranty Statement & Return Policy for this or any SoundOff Signal product, visit our website at www.soundoffsignal.com/tech-services/returns/.

If you have questions regarding this product, contact **Technical Services**, Monday - Friday, 8 a.m. to 5 p.m. ET at 1.800.338.7337 (press #4).

Questions or comments that do not require immediate attention may be emailed to techservices@soundoffsignal.com.

**SoundOff
Signal**

1.800.338.7337 / www.soundoffsignal.com

INTRODUCTION:

CONTAINS	
QTY	COMPONENT
1	Driver/Passenger Speaker Hanging Bracket**
2	1/4-20 1" Length Hex Bolts
4	1/4" Flat Washers
2	1/4-20 Lock Nuts
1	Installation Instruction Sheet
1	Product Warning Card
1	CA Prop 65 Label

*speaker sold separately
**Part number will determine which side bracket is purchased

**BRACKET COMPATIBLE WITH
SPEAKERS:**

**-100J
-100U
-100N**

100N / 100J / 100U SERIES SPEAKER BRACKET (only - no drill) for the Chevrolet Silverado 1500 2019.5 - 2022, Bumper Mount



Passenger Side
bolts to be
removed

Driver Side
bolts to be
removed

INSTALLATION:

1. With the hood open, remove the vented, upper plastic piece on the front of the vehicle (Fig. 1) in order to access the space in front of the radiator for speaker bracket installation. For additional room, it is recommended that the grill also be removed. Consult a local Chevrolet service center for best disassembly method. Keep all hardware.
2. Selecting the desired side, remove the two bolts from the radiator support from the appropriate side, as shown in Fig. 2.

NOTICE:

Installers and users must comply with all applicable federal, state and local laws regarding use and installation of warning devices.

Improper use or installation may void warranty coverage.

To review our Limited Warranty Statement & Return Policy for this or any SoundOff Signal product, visit our website at www.soundoffsignal.com/tech-services/returns/.

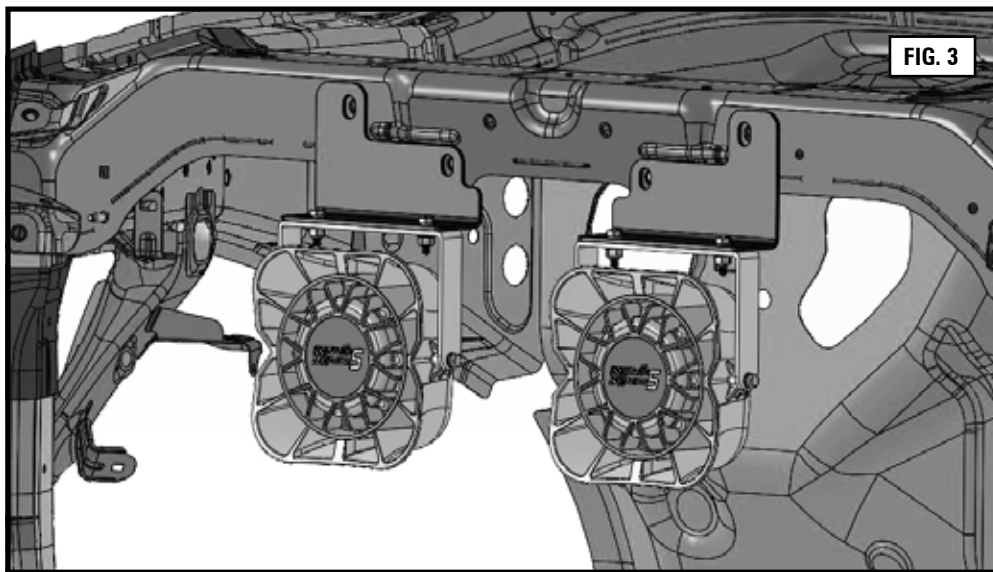
If you have questions regarding this product, contact **Technical Services**, Monday - Friday, 8 a.m. to 5 p.m. ET at 1.800.338.7337 (press #4).

Questions or comments that do not require immediate attention may be emailed to techservices@soundoffsignal.com.

SoundOff Signal

1.800.338.7337 / www.soundoffsignal.com

**100N / 100J / 100U SERIES SPEAKER BRACKET (only - no drill)
for the Chevrolet Silverado 1500 2019.5 - 2022, Bumper Mount**



INSTALLATION (CONT.):

3. Install each hanging bracket using the bolts that were previously removed. Ensure that the support rods are reinstalled with the brackets. The brackets should be sandwiched between the support rods and the vehicle cross member. Tighten the bolts to manufacturer's specifications.
4. Attach the speaker bail bracket provided with the speaker to the hanging brackets using the provided 1/4-20 hex bolts, washers, and lock nuts. Tighten to 10 ft-lb or until fully seated.
5. Using the hardware supplied with the speaker, attach the speaker (ETSS100N, ETSS100J or ETSS100U) to the speaker bail bracket, shown in Fig. 3.
6. Ensure the speakers are properly connected to a power source.
7. Reinstall the front grill (if removed) and the upper plastic piece on the front of the vehicle according to manufacturer's specifications.

NOTICE:

Installers and users must comply with all applicable federal, state and local laws regarding use and installation of warning devices.

Improper use or installation may void warranty coverage.

To review our Limited Warranty Statement & Return Policy for this or any SoundOff Signal product, visit our website at www.soundoffsignal.com/tech-services/returns/.

If you have questions regarding this product, contact **Technical Services**, Monday - Friday, 8 a.m. to 5 p.m. ET at **1.800.338.7337** (press #4).

Questions or comments that do not require immediate attention may be emailed to techservices@soundoffsignal.com.

**SoundOff
Signal** 

1.800.338.7337 / www.soundoffsignal.com