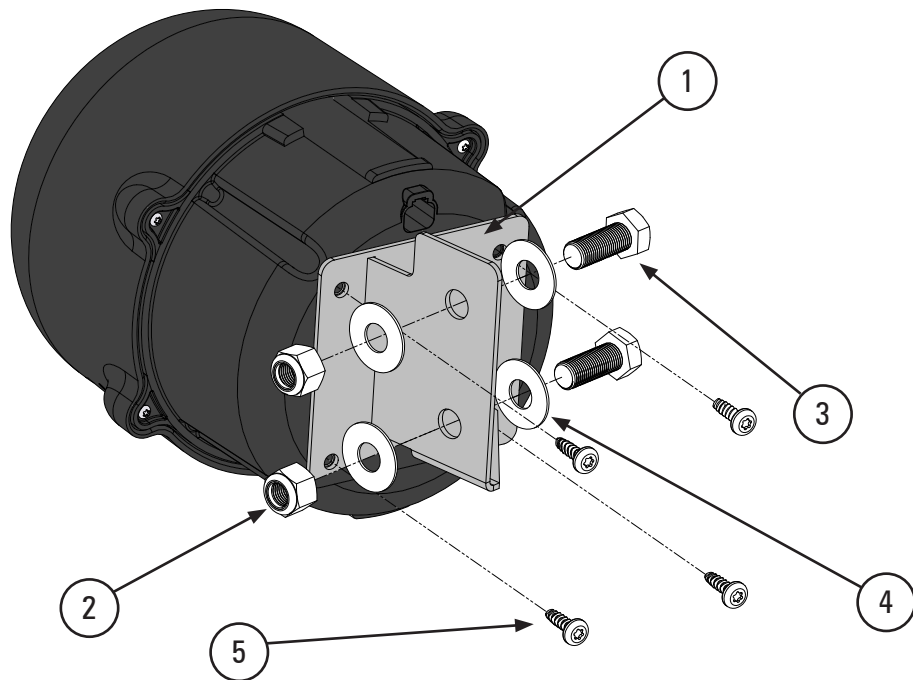


# AFTERSHOCK SPEAKER BRACKET (NO DRILL) FOR DODGE RAM 1500 (5TH GENERATION ONLY) 2019 - 2023, FRAME MOUNT

ETSSLFVBK15- DRIVER SIDE

ETSSLFVBK16- PASSENGER SIDE



ETSSLFVBK15 SHOWN WITH ETSSLF100 SPEAKER\*

## INTRODUCTION:

CONTAINS		
ITEM#	COMPONENT	QTY
1	SPEAKER BRACKET	1
2	1/2"-20 LOCK NUT	2
3	1/2"-20 HEX HEAD BOLT	2
4	1/2" FLAT WASHER	4
5	SELF DRILLING SCREWS	4
6	INSTALLATION INSTRUCTION SHEET	1
7	PRODUCT WARNING CARD	1
8	CA PROP 65 LABEL	1

\*Speaker and Speaker Hardware Sold Separately

## ⚠ WARNING

- HIGH CURRENT interconnects must be properly terminated. Poor crimp quality can cause heat build-up and fire. Follow crimp connector manufacturer instructions.
- DO NOT install this product or route any wires in the Air Bag Deployment Zone. Refer to vehicle Owner's Manual for deployment zones.
- Do NOT use system to disconnect headlights, brake lights or other safety equipment.
- Unit may become hot to touch during normal operation.
- Failure to properly install connectors, fuses or wiring may cause vehicle failure or fire.
- Installation must only be performed by trained technician. Installer must determine vehicle wiring configuration and proper integration of system.
- Use proper wire gauge. All power wires connecting to positive (+) or negative (-) battery terminal or local chassis ground (-) must be sized to supply at least 125% of max. current and properly fused at power source.
- Install protective grommets when routing wire through firewall or metal.

## NOTICE:

Installers and users must comply with all applicable federal, state and local laws regarding use and installation of warning devices.

*Improper use or installation may void warranty coverage.*

To review our Limited Warranty Statement & Return Policy for this or any SoundOff Signal product, visit our website at [www.soundoffsignal.com/tech-services/returns/](http://www.soundoffsignal.com/tech-services/returns/).

If you have questions regarding this product, contact **Technical Services**, Monday - Friday, 8 a.m. to 5 p.m. ET at 1.800.338.7337 (press #4).

Questions or comments that do not require immediate attention may be emailed to [techservices@soundoffsignal.com](mailto:techservices@soundoffsignal.com).

# SoundOff Signal

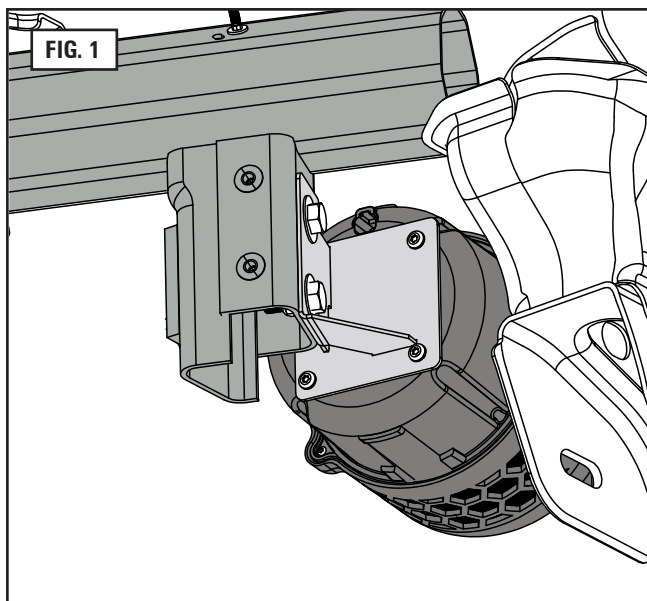
1.800.338.7337 / [www.soundoffsignal.com](http://www.soundoffsignal.com)

ENHANCING SAFETY THROUGH INNOVATION

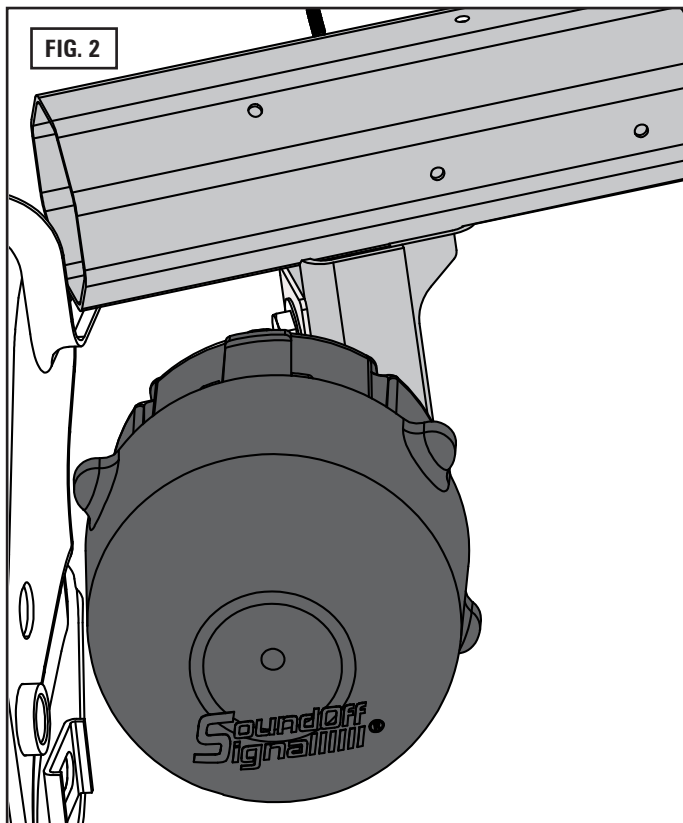
# AFTERSHOCK SPEAKER BRACKET (NO DRILL) FOR DODGE RAM 1500 (5TH GENERATION ONLY) 2019 - 2023, FRAME MOUNT

ETSSLFVBK15- DRIVER SIDE

ETSSLFVBK16- PASSENGER SIDE



ETSSLFVBK15 SHOWN WITH ETSSLF100 SPEAKER\*



ETSSLFVBK15 SHOWN WITH ETSSLF100 SPEAKER\*

## INSTALLATION:

1. Remove the Universal Mounting Bracket from the Aftershock speaker (sold separately) as this bracket will not be used for installation.
2. Use the provided self-drilling screws (4) to attach the speaker bracket to the rear mounting holes of the Aftershock speaker. Tighten until screw is fully seated, then tighten to 75 in-lbs. The speaker should be attached to the bracket in the orientation shown in FIG. 1. Ensure that the plug is on the top of the speaker when in its installed position.
3. With the speaker installed, hold the bracket assembly in the position shown in FIG. 1 and install by sliding the provided bolts (2) through the existing holes in the bracket and in the frame. Installing the top lock nut first, tighten the fasteners until fully seated. See FIG 2. For proper placement.
4. Plug in the speaker and test to ensure proper functionality.
5. Repeat steps 1-5 for the passenger side of the vehicle.

## NOTICE:

Installers and users must comply with all applicable federal, state and local laws regarding use and installation of warning devices.

*Improper use or installation may void warranty coverage.*

To review our Limited Warranty Statement & Return Policy for this or any SoundOff Signal product, visit our website at [www.soundoffsignal.com/tech-services/returns/](http://www.soundoffsignal.com/tech-services/returns/).

If you have questions regarding this product, contact **Technical Services**, Monday - Friday, 8 a.m. to 5 p.m. ET at 1.800.338.7337 (press #4).

Questions or comments that do not require immediate attention may be emailed to [techservices@soundoffsignal.com](mailto:techservices@soundoffsignal.com).

**SoundOff  
Signal**

1.800.338.7337 / [www.soundoffsignal.com](http://www.soundoffsignal.com)