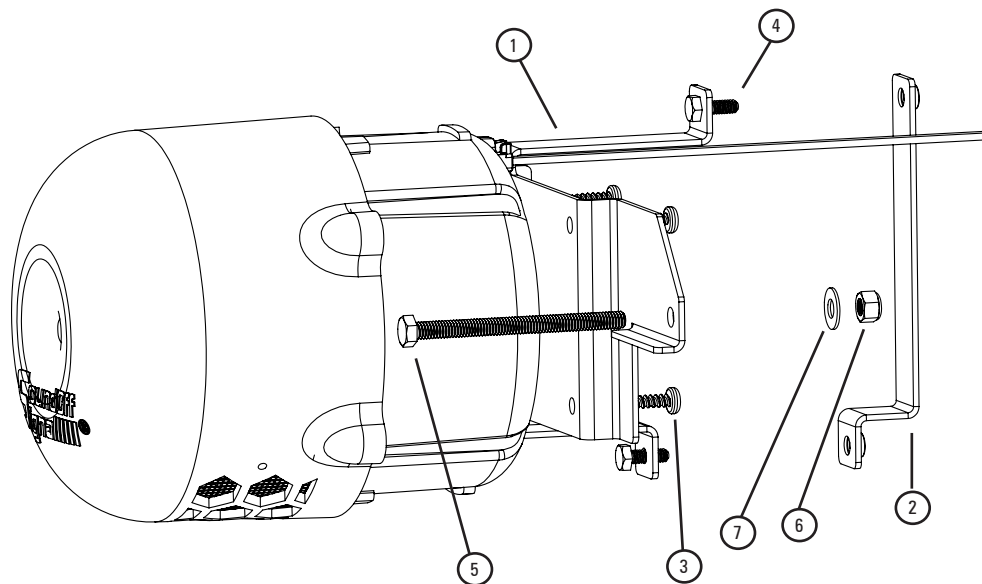


# FRAME MOUNT BRACKET (NO DRILL) FOR THE AFTERSHOCK LOW FREQUENCY SPEAKER 2021 CHEVROLET TAHOE POLICE PURSUIT & CIVILIAN VEHICLES

ETSSLFVBK13- DRIVER SIDE  
ETSSLFVBK14- PASSENGER SIDE



ETSSLFVBK13 SHOWN WITH ETSSLF100 SPEAKER\*

## INTRODUCTION:

CONTAINS		
ITEM#	COMPONENT	QTY
1	SPEAKER BRACKET	1
2	SECONDARY BRACKET	1
3	1/2" SELF-DRILLING SCREWS	4
4	1/4"-20 HEX HEAD BOLT	2
5	5/16"- 18 HEX HEAD BOLT	1
6	5/16"- 18 LOCK NUT	1
7	5/16" FLAT WASHER	1
8	INSTALLATION INSTRUCTION SHEET	1
9	PRODUCT WARNING CARD	1
10	CA PROP 65 LABEL	1

\*Speaker and Speaker Hardware Sold Separately

**NOTE:** Install done with driver side, ETSSLFVBK13.

## ⚠ WARNING

- HIGH CURRENT interconnects must be properly terminated. Poor crimp quality can cause heat build-up and fire. Follow crimp connector manufacturer instructions.
- DO NOT install this product or route any wires in the Air Bag Deployment Zone. Refer to vehicle Owner's Manual for deployment zones.
- Do NOT use system to disconnect headlights, brake lights or other safety equipment.
- Unit may become hot to touch during normal operation.
- Failure to properly install connectors, fuses or wiring may cause vehicle failure or fire.
- Installation must only be performed by trained technician. Installer must determine vehicle wiring configuration and proper integration of system.
- Use proper wire gauge. All power wires connecting to positive (+) or negative (-) battery terminal or local chassis ground (-) must be sized to supply at least 125% of max. current and properly fused at power source.
- Install protective grommets when routing wire through firewall or metal.

## NOTICE:

Installers and users must comply with all applicable federal, state and local laws regarding use and installation of warning devices.

*Improper use or installation may void warranty coverage.*

To review our Limited Warranty Statement & Return Policy for this or any SoundOff Signal product, visit our website at [www.soundoffsignal.com/tech-services/returns/](http://www.soundoffsignal.com/tech-services/returns/).

If you have questions regarding this product, contact **Technical Services**, Monday - Friday, 8 a.m. to 5 p.m. ET at 1.800.338.7337 (press #4).

Questions or comments that do not require immediate attention may be emailed to [techservices@soundoffsignal.com](mailto:techservices@soundoffsignal.com).

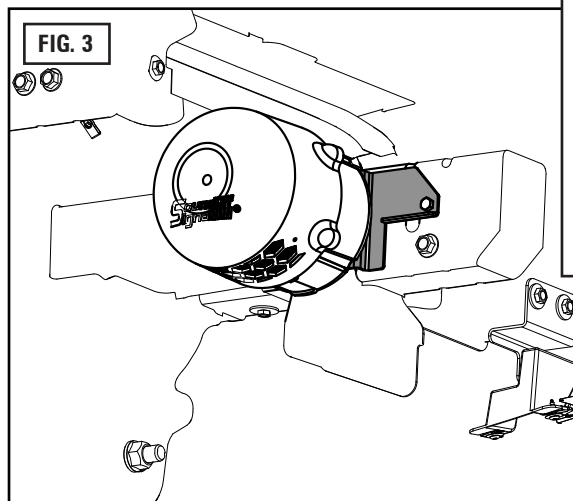
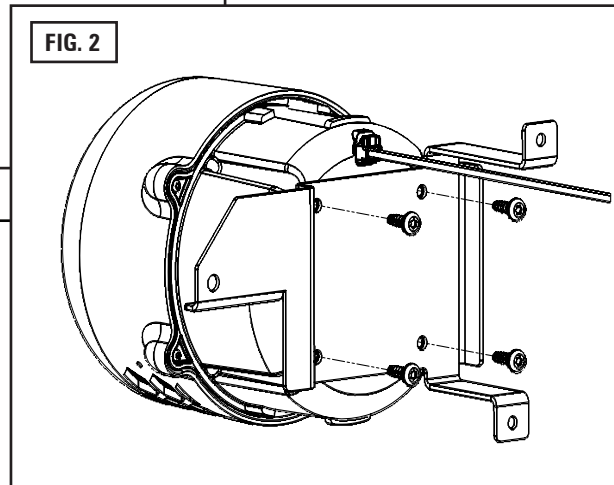
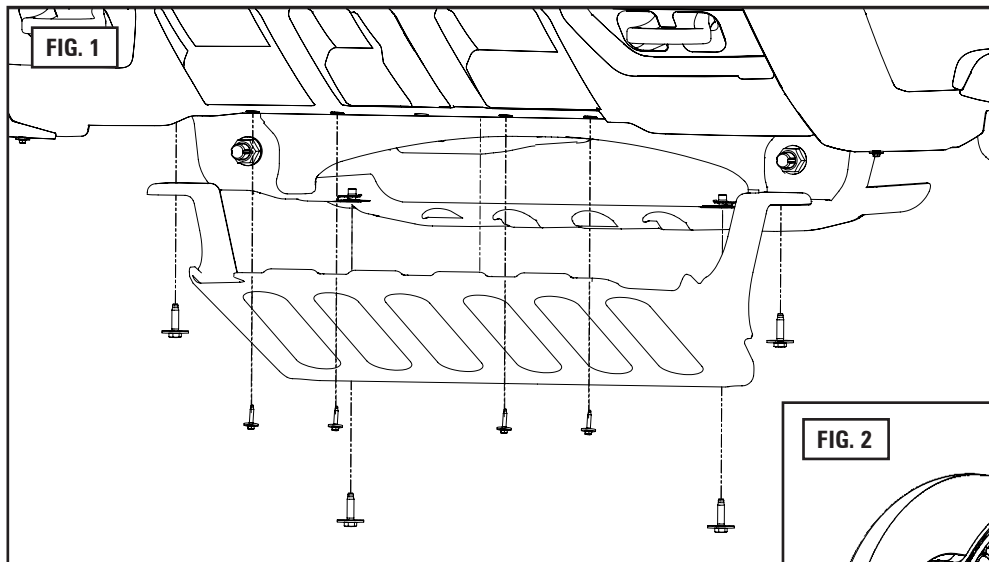
**SoundOff  
Signal**

1.800.338.7337 / [www.soundoffsignal.com](http://www.soundoffsignal.com)

# FRAME MOUNT BRACKET (NO DRILL) FOR THE AFTERSHOCK LOW FREQUENCY SPEAKER 2021 CHEVROLET TAHOE POLICE PURSUIT & CIVILIAN VEHICLES

ETSSLFVBK13- DRIVER SIDE

ETSSLFVBK14- PASSENGER SIDE



## INSTALLATION:

1. Remove the skid plate on the underside of the vehicle just below the front fascia, as shown in Fig. 1. Consult your local Chevrolet dealer for recommended disassembly method. Ensure all safety precautions are followed while working underneath the vehicle.
2. Remove the Universal Mounting Bracket from the Aftershock speaker (sold separately) as this bracket will not be used for installation.
3. Use 4 of the provided self-drilling screws to attach the speaker bracket to the rear mounting holes of the Aftershock speaker. Tighten until screw is fully seated, then tighten to 75 in-lbs. The speaker should be attached to the bracket in the orientation shown in Fig. 2. Ensure that the plug is on the top when in its installed position.
4. With the speaker installed, slide the bracket assembly on to the frame rail of the vehicle, as shown in Fig. 3. The tab on the front of the speaker bracket should line up with the slotted hole in the vehicle frame.

## NOTICE:

Installers and users must comply with all applicable federal, state and local laws regarding use and installation of warning devices.

*Improper use or installation may void warranty coverage.*

To review our Limited Warranty Statement & Return Policy for this or any SoundOff Signal product, visit our website at [www.soundoffsignal.com/tech-services/returns/](http://www.soundoffsignal.com/tech-services/returns/).

If you have questions regarding this product, contact **Technical Services**, Monday - Friday, 8 a.m. to 5 p.m. ET at 1.800.338.7337 (press #4).

Questions or comments that do not require immediate attention may be emailed to [techservices@soundoffsignal.com](mailto:techservices@soundoffsignal.com).

# SoundOff Signal

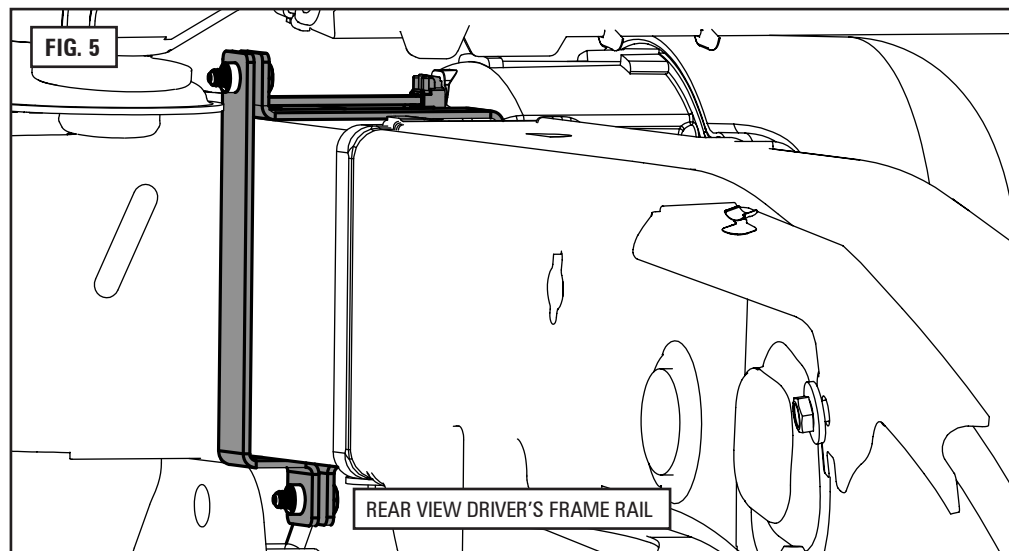
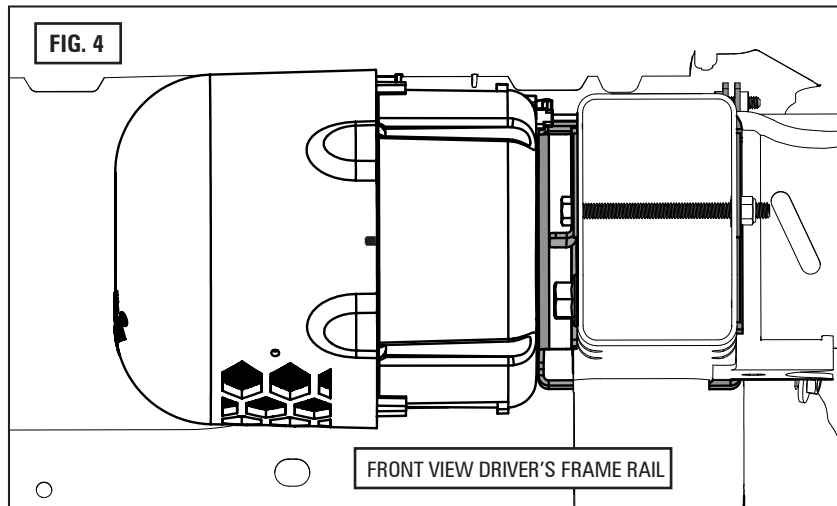
1.800.338.7337 / [www.soundoffsignal.com](http://www.soundoffsignal.com)

ENHANCING SAFETY THROUGH INNOVATION

## FRAME MOUNT BRACKET (NO DRILL) FOR THE AFTERSHOCK LOW FREQUENCY SPEAKER 2021 CHEVROLET TAHOE POLICE PURSUIT & CIVILIAN VEHICLES

ETSSLFVBK13- DRIVER SIDE

ETSSLFVBK14- PASSENGER SIDE



### INSTALLATION (CONT.):

5. Insert the 4" long, 5/16" hex bolt through the hole in the tab of the bracket and the frame rail, as shown in Fig. 4. Fasten with the provided flat washer and lock nut on the opposite side of the frame rail. Tighten until snug. Do not overtighten.
6. Slide the unbent end of the secondary bracket towards the top of the frame rail opposite the speaker bracket assembly. Ensure that the mounting holes of the secondary bracket align with the mounting flanges of the speaker bracket assembly, as shown in Fig. 5.
7. Fasten the speaker bracket assembly to the secondary bracket using the provided 1/4"-20 bolts. Tighten until snug. Do not overtighten.
8. Plug in the speaker and test to ensure proper functionality.
9. Reinstall the skid plate according to manufacturer specifications.

#### NOTICE:

Installers and users must comply with all applicable federal, state and local laws regarding use and installation of warning devices.

*Improper use or installation may void warranty coverage.*

To review our Limited Warranty Statement & Return Policy for this or any SoundOff Signal product, visit our website at [www.soundoffsignal.com/tech-services/returns/](http://www.soundoffsignal.com/tech-services/returns/).

If you have questions regarding this product, contact **Technical Services**, Monday - Friday, 8 a.m. to 5 p.m. ET at 1.800.338.7337 (press #4).

Questions or comments that do not require immediate attention may be emailed to [techservices@soundoffsignal.com](mailto:techservices@soundoffsignal.com).

**SoundOff**  
**Signal**

1.800.338.7337 / [www.soundoffsignal.com](http://www.soundoffsignal.com)

ENHANCING SAFETY THROUGH INNOVATION