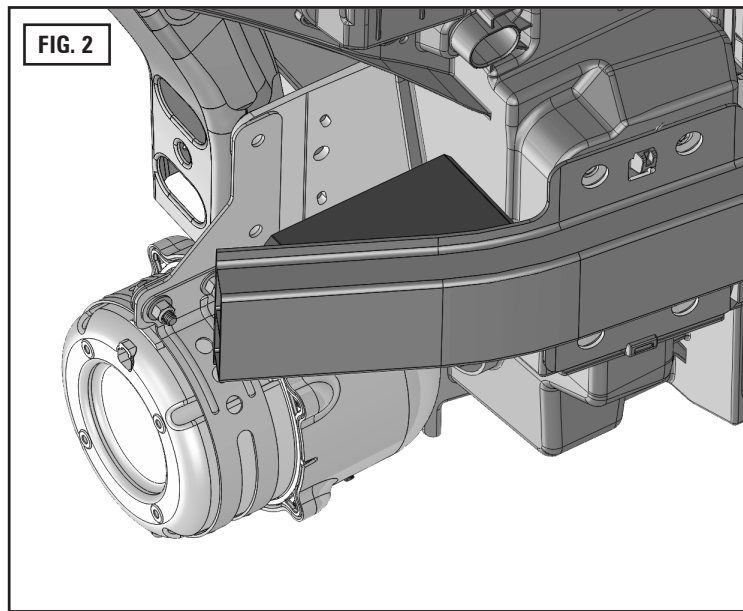
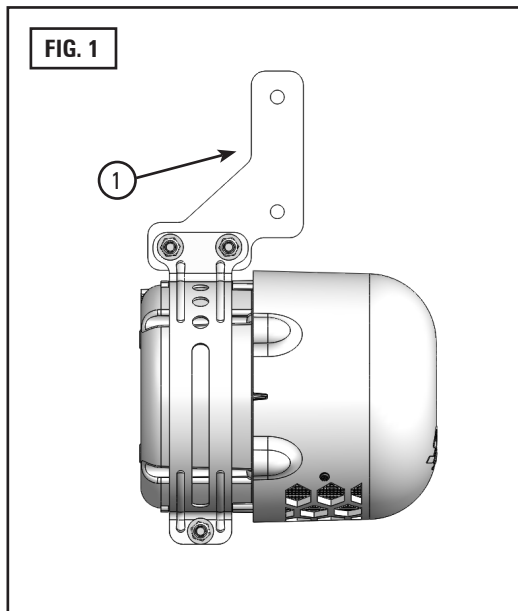


LOWER FRAME MOUNT BRACKET FOR THE AFTERSHOCK LOW FREQUENCY SPEAKER
2020-2021 FORD UTILITY, PASSENGER SIDE ONLY
 ETSSLFVBK07



⚠ WARNING

- HIGH CURRENT interconnects must be properly terminated. Poor crimp quality can cause heat build-up and fire. Follow crimp connector manufacturer instructions.
- DO NOT install this product or route any wires in the Air Bag Deployment Zone. Refer to vehicle Owner's Manual for deployment zones.
- Do NOT use system to disconnect headlights, brake lights or other safety equipment.
- Unit may become hot to touch during normal operation.
- Failure to properly install connectors, fuses or wiring may cause vehicle failure or fire.
- Installation must only be performed by trained technician. Installer must determine vehicle wiring configuration and proper integration of system.
- Use proper wire gauge. All power wires connecting to positive (+) or negative (-) battery terminal or local chassis ground (-) must be sized to supply at least 125% of max. current and properly fused at power source.
- Install protective grommets when routing wire through firewall or metal.

NOTICE:

Installers and users must comply with all applicable federal, state and local laws regarding use and installation of warning devices.

Improper use or installation may void warranty coverage.

To review our Limited Warranty Statement & Return Policy for this or any SoundOff Signal product, visit our website at www.soundoffsignal.com/tech-services/returns/.

If you have questions regarding this product, contact **Technical Services**, Monday - Friday, 8 a.m. to 5 p.m. ET at 1.800.338.7337 (press #4).

Questions or comments that do not require immediate attention may be emailed to techservices@soundoffsignal.com.

INSTALLATION:

1. Remove the front bumper cover assembly to access the frame for speaker bracket installation. The assembly should be removed as one piece and not individually. Consult a local Ford service center for best disassembly method. Keep all hardware.
2. Attach the Universal Mount Brackets to the Low Frequency Speaker. Make sure the speaker grille is pointed towards the ground and that the Universal Mount Brackets are positioned with the double mounting holes facing upwards.
3. Prior to fastening the Universal Mount Brackets to the speaker, position the included low frequency speaker bracket between each section of the Universal Mount Brackets as shown in Fig. 1. Insert the three included bolts and tighten them to 15 ft-lb.
4. Remove the two forward facing bolts on the front of the vehicle, as shown in Fig. 2.

NOTE: This low frequency speaker bracket, ETSSLFVBK07, is ONLY for the passenger side. Driver side sold separately.

5. Align the two mounting holes in the bracket with those on the vehicle. Ensure that the speaker is facing inwards, as shown in Fig. 3.
6. Reinstall the preexisting bolts and tighten them to manufacturer specifications.
7. Connect the power ground wire to the back of the speaker.
8. Reinstall the front bumper cover assembly.

CONTAINS		
ITEM#	QTY	COMPONENT
1	1	2020 Low Frequency Mount Bracket
	1	Installation Instruction Sheet
	1	Product Warning Card

*speaker with speaker hardware sold separately



1.800.338.7337 / www.soundoffsignal.com