

UPPER FRAME MOUNT BRACKET FOR THE AFTERSHOCK LOW FREQUENCY SPEAKER
2016-2021 DODGE DURANGO
 ETSSLFVBK02

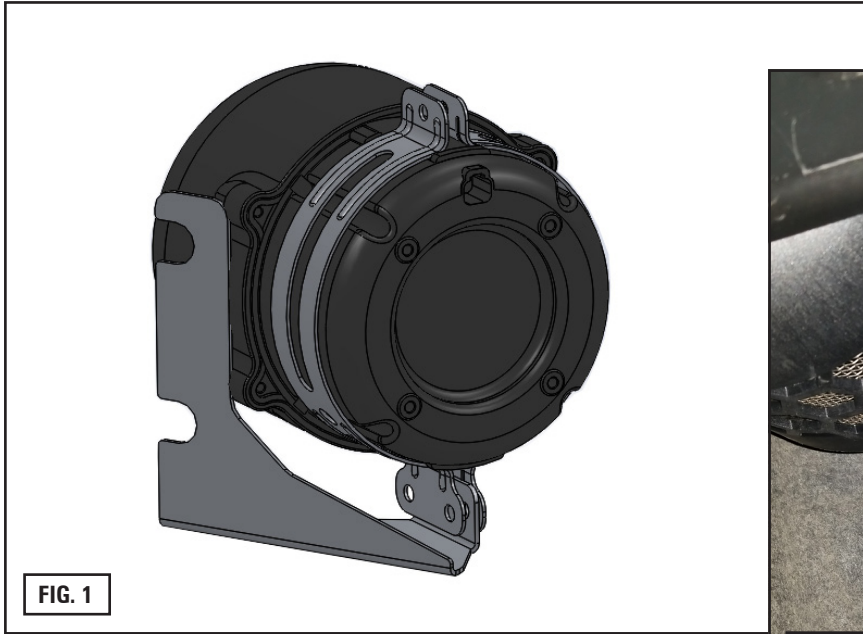


FIG. 1



FIG. 2

⚠ WARNING

- HIGH CURRENT interconnects must be properly terminated. Poor crimp quality can cause heat build-up and fire. Follow crimp connector manufacturer instructions.
- DO NOT install this product or route any wires in the Air Bag Deployment Zone. Refer to vehicle Owner's Manual for deployment zones.
- Do NOT use system to disconnect headlights, brake lights or other safety equipment.
- Unit may become hot to touch during normal operation.
- Failure to properly install connectors, fuses or wiring may cause vehicle failure or fire.
- Installation must only be performed by trained technician. Installer must determine vehicle wiring configuration and proper integration of system.
- Use proper wire gauge. All power wires connecting to positive (+) or negative (-) battery terminal or local chassis ground (-) must be sized to supply at least 125% of max. current and properly fused at power source.
- Install protective grommets when routing wire through firewall or metal.

NOTICE:

Installers and users must comply with all applicable federal, state and local laws regarding use and installation of warning devices.

Improper use or installation may void warranty coverage.

To review our Limited Warranty Statement & Return Policy for this or any SoundOff Signal product, visit our website at www.soundoffsignal.com/tech-services/returns/.

If you have questions regarding this product, contact **Technical Services**, Monday - Friday, 8 a.m. to 5 p.m. ET at **1.800.338.7337** (press #4).

Questions or comments that do not require immediate attention may be emailed to techservices@soundoffsignal.com.

INSTALLATION:

1. Remove the front bumper cover assembly to access the frame for speaker bracket installation. The assembly should be removed as one piece and not individually. Consult a local Dodge service center for best disassembly method. Keep all hardware.
2. Mount the universal brackets, included with the Low Frequency Speaker*, and Upper Frame Mount Bracket to the Low Frequency Speaker using the 1/4"-20 bolts that came with the kit. The Upper Frame Mount Bracket fits between the universal bracket by aligning the two holes on the universal brackets to the two holes on the Upper Frame Mount Bracket, as shown in Fig 2. Loosely tighten.
3. Locate the two bolts on the passenger side of the vehicle frame, as shown in Fig. 2. Loosen these bolts enough to slide the bracket behind the bolt washers. The Upper Frame Mount Bracket is slotted so it is not necessary to remove the bolts.
4. Tighten the two vehicle bolts to 35 ft-lb.
5. Connect the speaker wire harness to the back of the speaker.
6. Rotate the speaker so that the mesh grille is towards the ground. Tighten the 1/4"-20 bolts on the universal bracket to 15 ft-lbs.
7. Install the front bumper cover assembly reversing the steps to remove it.

CONTAINS

QTY	COMPONENT
1	Upper Frame Mount Bracket
1	Installation Instruction Sheet
1	Product Warning Card

*speaker sold separately



1.800.338.7337 / www.soundoffsignal.com

ENHANCING SAFETY THROUGH INNOVATION