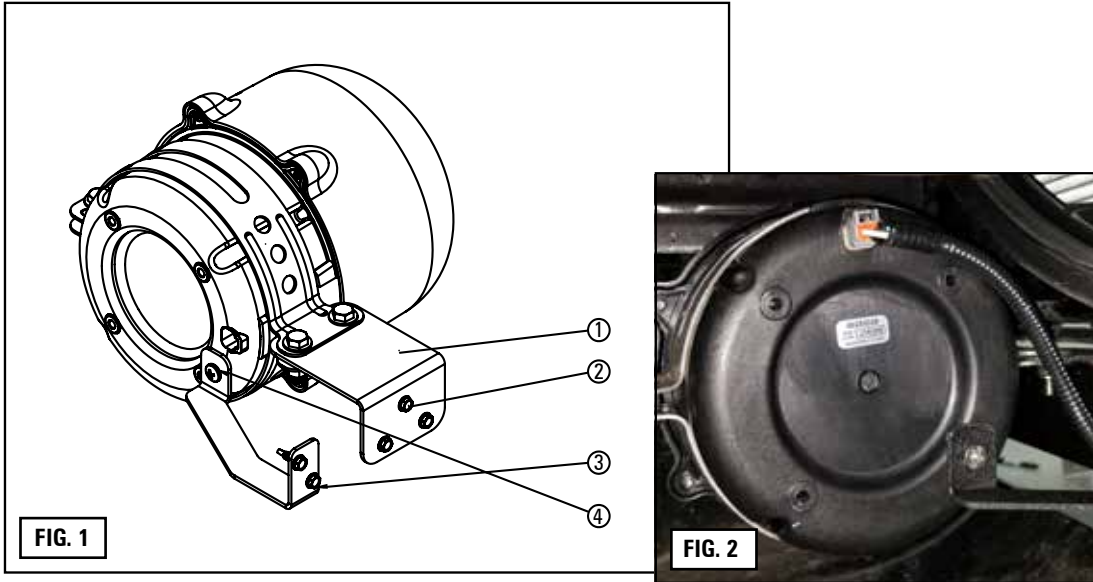


UPPER & LOWER FRAME MOUNT BRACKET FOR THE AFTERSHOCK LOW FREQUENCY SPEAKER
2016-2020 DODGE DURANGO
 ETSSLFVBK01



INSTALLATION:

1. Remove the front bumper cover assembly to access the frame for speaker bracket installation. The assembly should be removed as one piece and not individually. Consult a local Dodge service center for best disassembly method. Keep all hardware.
2. Measure out the center of the vehicles bottom frame and put a mark on the center location. Then mark out 6" to the right of the center location mark. This will be the location of the outside of the Low Frequency Upper Bracket
3. Take the Low Frequency Upper Bracket and use it's outer edge to line up next to the mark that was made in step 2. Next, take the 3 Self Drilling Screws, included in the hardware kit, and drill them through the 3 holes in the Upper mounting bracket.
4. Take the Universal Mounting Brackets included with the Low Frequency Speaker* and mount it to the Upper Bracket, that is screwed into the frame. Put the Universal Mounting Brackets over the Upper Bracket. See Fig 1.
5. Insert the hardware, from the Universal Mounting Brackets, and tighten down enough to hold the speaker but loose enough to allow rotating the speaker to point the mesh grille towards the ground.
6. Screw the Lower Bracket into the bottom/forward hole located on the Low Frequency Speaker*, with a 1/4-20 x 3/8" Hex Head Bolt. See Fig 2.
7. Rotate the Low Frequency Speaker* and place the Lower Bracket that is attached to the speaker onto the frame. Mount the Lower Bracket onto the frame with the two Self Drilling Screws.
8. Tighten down the Universal Mounting Bracket bolts to 15ft-lbs.
9. Connect the speaker wire harness to the back of the speaker.
10. Install the front bumper cover assembly reversing the steps to remove it.

⚠ WARNING

- HIGH CURRENT interconnects must be properly terminated. Poor crimp quality can cause heat build-up and fire. Follow crimp connector manufacturer instructions.
- DO NOT install this product or route any wires in the Air Bag Deployment Zone. Refer to vehicle Owner's Manual for deployment zones.
- Do NOT use system to disconnect headlights, brake lights or other safety equipment.
- Unit may become hot to touch during normal operation.
- Failure to properly install connectors, fuses or wiring may cause vehicle failure or fire.
- Installation must only be performed by trained technician. Installer must determine vehicle wiring configuration and proper integration of system.
- Use proper wire gauge. All power wires connecting to positive (+) or negative (-) battery terminal or local chassis ground (-) must be sized to supply at least 125% of max. current and properly fused at power source.
- Install protective grommets when routing wire through firewall or metal.

CONTAINS		
ITEM #	QTY	COMPONENT
1	1	Low Frequency Upper Bracket
2	5	10 x 3/4" Hex Head Self Drilling Screw
3	1	Low Frequency Lower Bracket
4	1	1/4-20 x 3/8" Hex Head Bolt
	1	Installation Instruction Sheet
	1	Product Warning Card

*speaker sold separately

NOTICE:

Installers and users must comply with all applicable federal, state and local laws regarding use and installation of warning devices.

Improper use or installation may void warranty coverage.

To review our Limited Warranty Statement & Return Policy for this or any SoundOff Signal product, visit our website at www.soundoffsignal.com/tech-services/returns/.

If you have questions regarding this product, contact **Technical Services**, Monday - Friday, 8 a.m. to 5 p.m. ET at **1.800.338.7337** (press #4).

Questions or comments that do not require immediate attention may be emailed to techservices@soundoffsignal.com.



1.800.338.7337 / www.soundoffsignal.com

ENHANCING SAFETY THROUGH INNOVATION