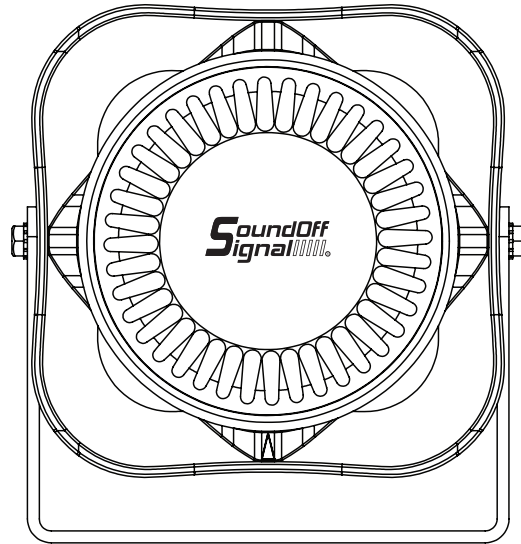


SERIES 100U SPEAKER

ETSS100U



⚠ WARNING

- All connections interconnects must be properly terminated. Failure to properly install connectors, fuses or wiring may cause vehicle failure or fire. Follow crimp connector manufacturer instructions.
- DO NOT install this product or route any wires in the Air Bag Deployment Zone. Refer to vehicle Owner's Manual for deployment zones.
- Unit may become hot to touch during normal operation.
- Installation must only be performed by trained technician. Installer must determine vehicle wiring configuration and proper integration of system.
- Use proper wire gauge, an increase in wire gauge may be necessary for longer runs.
- Install protective grommets when routing wire through firewall or metal.

SoundOff
Signal 

1.800.338.7337 / www.soundoffsignal.com

INTRODUCTION

The ETSS100U Siren Loudspeaker is used for high-powered transmission of electronic siren and voice communications in vehicular applications.

SAFETY MESSAGE TO OPERATORS AND INSTALLERS OF SOUND OFF SIGNAL® SIREN/SPEAKER SYSTEMS

SIGNALING LIMITATIONS

Maximum sound output will be severely reduced if any objects are in front of the speaker. If your installation has obstructions in front of the speaker, drive cautiously. The effectiveness of the siren/speaker system is highly dependant on the correct mounting and wiring. The vehicle operator should verify the siren/speaker system is securely fastened to the vehicle and properly functioning.

SOUND HAZARDS

Effective siren/speaker systems generate loud sound pressure levels (120db) that can potentially cause permanent hearing damage. Installers and those around the vehicle need to be aware of the dangers and wear hearing protection whenever the siren system is operating.

WARNING: Warning devices are strictly regulated and governed by Federal, State and Municipal ordinances. These devices shall be used ONLY on approved vehicles. It is the sole responsibility of the user of these devices to ensure compliance.



⚠ WARNING

Sirens produce loud sounds that may damage hearing:
- Roll up windows.
- Wear hearing protection.
- Use only for emergency response.
- Avoid exposure to siren sound outside of vehicle.

NOTICE:

Installers and users must comply with all applicable federal, state and local laws regarding use and installation of warning devices.

Improper use or installation may void warranty coverage.

To review our Limited Warranty Statement & Return Policy for this or any SoundOff Signal product, visit our website at www.soundoffsignal.com/tech-services/returns/.

If you have questions regarding this product, contact **Technical Services**, Monday - Friday, 8 a.m. to 5 p.m. ET at 1.800.338.7337 (press #4).

Questions or comments that do not require immediate attention may be emailed to techservices@soundoffsignal.com.

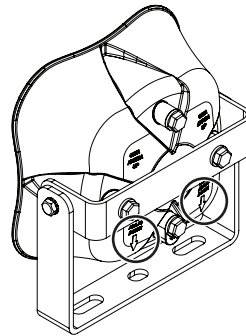
ENHANCING SAFETY THROUGH INNOVATION

SERIES 100U SPEAKER

ETSS100U

Ensure that The arrows* are oriented facing down. This will allow the drainage holes to properly function during the life of the product.

*Arrows in picture exaggerated for illustration purposes only



TECHNICAL SPECIFICATIONS

MODEL	ETSS100U
DIMENSIONS (W/ BRACKET)	17.8 (H) x 17.0 (W) x 8.6 (D) cm
POWER RATING	100 Watts RMS
IMPEDANCE	8-11 Ohms Nominal
WIRE GAUGE	16AWG
FREQUENCY RESPONSE	350-5000 Hz
POLARITY	(+) = RED (-) = BLACK
MATERIAL	Nylon PA66 with 33% Glass Fill
WARRANTY	5 Years

DURING INSTALLATION

Do not get metal shavings inside of speaker. Metal shavings can cause speaker to fail. If metal removing must be done near the speaker, place a cover over the unit to prevent metal shavings from getting inside of speaker.

The user/installer assumes full responsibility to determine proper mounting location, based on providing safety for passengers inside the vehicle

Correct Polarity must be observed when connecting more than one speaker to ensure proper phasing/syncing of sound.

CONTENTS

QTY	COMPONENT
1	ETSS100U
1	BAIL SPEAKER BRACKET
1	HARDWARE KIT
1	PRODUCT WARNING CARD
1	INSTALLATION INSTRUCTION SHEET

NOTICE:

Installers and users must comply with all applicable federal, state and local laws regarding use and installation of warning devices.

Improper use or installation may void warranty coverage.

To review our Limited Warranty Statement & Return Policy for this or any SoundOff Signal product, visit our website at www.soundoffsignal.com/tech-services/returns/.

If you have questions regarding this product, contact **Technical Services**, Monday - Friday, 8 a.m. to 5 p.m. ET at 1.800.338.7337 (press #4).

Questions or comments that do not require immediate attention may be emailed to techservices@soundoffsignal.com.

SoundOff Signal

1.800.338.7337 / www.soundoffsignal.com