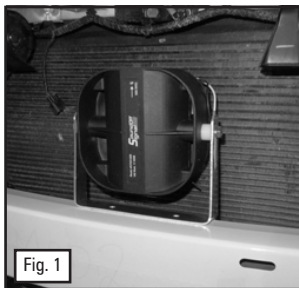
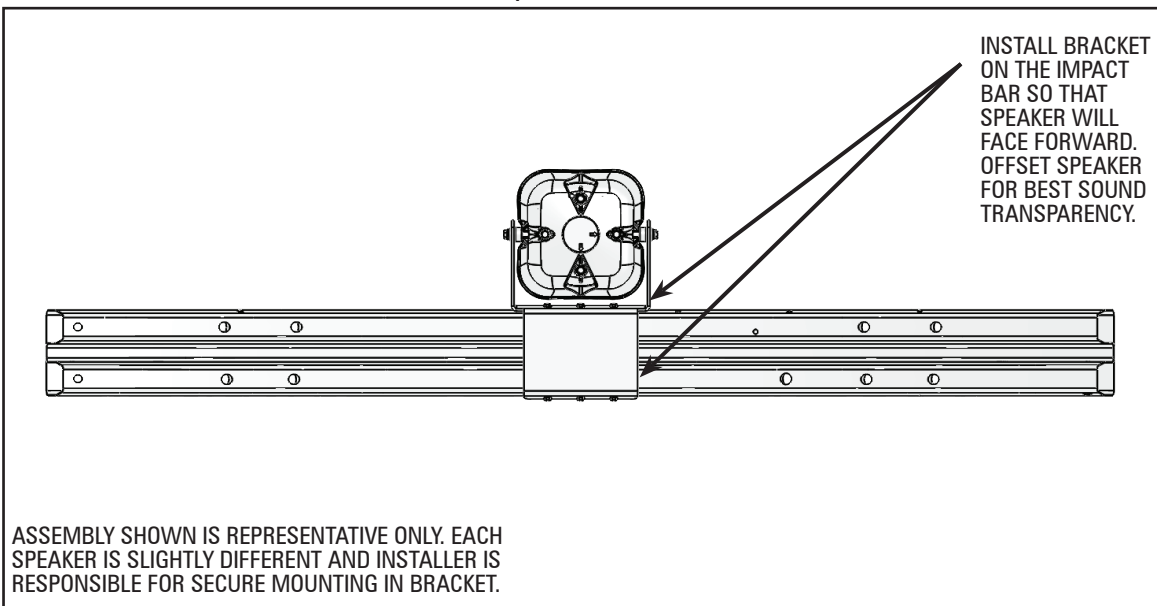


DODGE CHARGER SPEAKER BRACKET

ETSS100CBKDC11 (for 2011-2021 model year)



FOR 100C,100N and 100J SPEAKERS ONLY.

⚠ WARNING

- HIGH CURRENT interconnects must be properly terminated. Poor crimp quality can cause heat build-up and fire. Follow crimp connector manufacturer instructions.
- DO NOT install this product or route any wires in the Air Bag Deployment Zone. Refer to vehicle Owner's Manual for deployment zones.
- Do NOT use system to disconnect headlights, brake lights or other safety equipment.
- Unit may become hot to touch during normal operation.
- Failure to properly install connectors, fuses or wiring may cause vehicle failure or fire.
- Installation must only be performed by trained technician. Installer must determine vehicle wiring configuration and proper integration of system.
- Use proper wire gauge. All power wires connecting to positive (+) or negative (-) battery terminal or local chassis ground (-) must be sized to supply at least 125% of max. current and properly fused at power source.
- Install protective grommets when routing wire through firewall or metal.

NOTICE:

Installers and users must comply with all applicable federal, state and local laws regarding use and installation of warning devices.

Improper use or installation may void warranty coverage.

To review our Limited Warranty Statement & Return Policy for this or any SoundOff Signal product, visit our website at www.soundoffsignal.com/tech-services/returns/.

If you have questions regarding this product, contact **Technical Services**, Monday - Friday, 8 a.m. to 5 p.m. ET at 1.800.338.7337 (press #4).

Questions or comments that do not require immediate attention may be emailed to techservices@soundoffsignal.com.

SoundOff
Signal

1.800.338.7337 / www.soundoffsignal.com

INSTALLATION:

- 1) Front bumper cover assembly must be removed to install speaker bracket. Assembly should be removed as one piece and not individually. Consult a local Chrysler service center for best disassembly method. Keep all hardware.
- 2) Place the bracket in the position desired and mark hole locations.

Note: Mount speaker off-center so that it has the least grill material in front of it. This will ensure the best performance.

- 3) If desired, drill pilot holes in impact bar (see #4 below for explanation).
- 4) Fasten bracket to cross-beam with 6 #10-16x3/4" self-drilling screws with 5/16" hex head. Screws do not need pilot holes but may be used if desired. DO NOT OVER-TIGHTEN screws as this may strip out holes.
- 5) Install speaker using the appropriate hardware.
- 6) Wire speaker to siren output and test.
- 7) Re-install front bumper cover assembly using previously removed hardware.

Note: It is recommended that the front bumper cover assembly be removed for access to front beam as shown in Fig 1. For complete explanation of disassembly, contact a local Chrysler service center.

⚠ WARNING

Sirens produce loud sounds that may damage hearing

- | Roll up windows
- | Wear hearing protection
- | Use only for emergency response
- | Avoid exposure to siren sound outside of vehicle

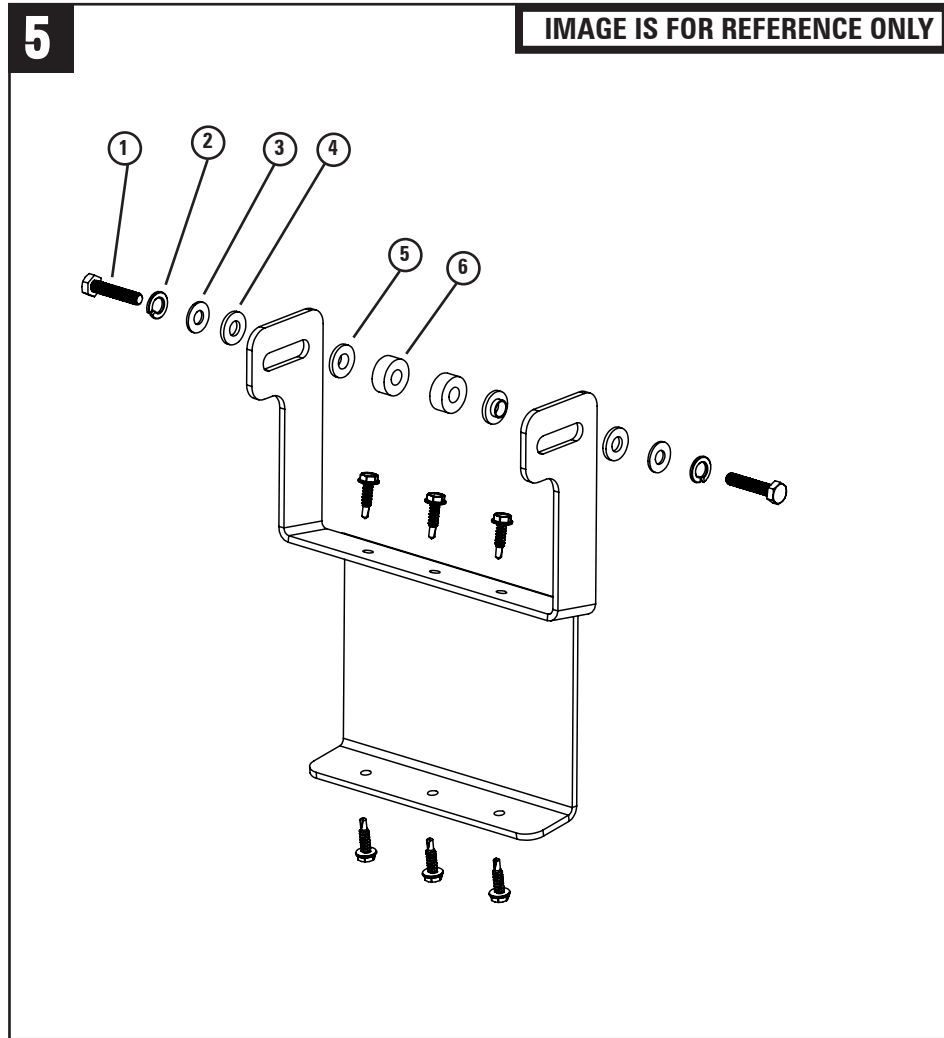


TECHNICAL SPECIFICATIONS

Material:	Steel with powder coated black finish
Dimensions (bracket only):	9.4"H x 7.3"W x 2.4"D

DODGE CHARGER SPEAKER BRACKET

ETSS100CBKDC11 (for 2011-2021 model year)



100N HARDWARE	
ITEM#	DESCRIPTION
1	M6X30MM SS BOLT
2	SS LOCK WASHER
3	SS WASHER
4	OUTER PLASTIC WASHER
5	INNER PLASTIC WASHER
6	0.5" PLASTIC SPACER

100J HARDWARE	
ITEM#	DESCRIPTION
1	M6X30MM SS BOLT
2	SS LOCK WASHER
3	SS WASHER
4	OUTER PLASTIC WASHER
5	INNER PLASTIC WASHER
6	0.31" PLASTIC SPACER

100C HARDWARE	
ITEM#	DESCRIPTION
1	1/4" - 20X0.75" SS BOLT
2	SS LOCK WASHER
3	SS WASHER
4	OUTER PLASTIC WASHER
5	INNER PLASTIC WASHER
6	NOT USED



1.800.338.7337 / www.soundoffsignal.com