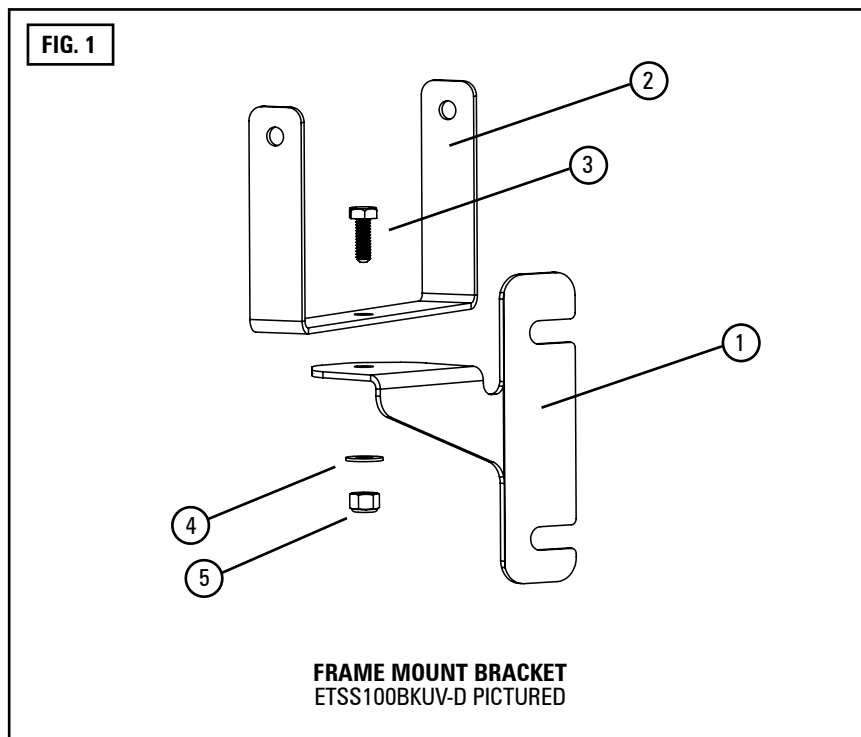


**FRAME MOUNT BRACKET (ONLY) FOR THE 100N SERIES SPEAKER**  
**2020 FORD PI UTILITY**  
 ETSS100BKUV-X



**⚠ WARNING**

- HIGH CURRENT interconnects must be properly terminated. Poor crimp quality can cause heat build-up and fire. Follow crimp connector manufacturer instructions.
- DO NOT install this product or route any wires in the Air Bag Deployment Zone. Refer to vehicle Owner's Manual for deployment zones.
- Do NOT use system to disconnect headlights, brake lights or other safety equipment.
- Unit may become hot to touch during normal operation.
- Failure to properly install connectors, fuses or wiring may cause vehicle failure or fire.
- Installation must only be performed by trained technician. Installer must determine vehicle wiring configuration and proper integration of system.
- Use proper wire gauge. All power wires connecting to positive (+) or negative (-) battery terminal or local chassis ground (-) must be sized to supply at least 125% of max. current and properly fused at power source.
- Install protective grommets when routing wire through firewall or metal.



1.800.338.7337 / www.soundoffsignal.com

**INSTALLATION:**

1. Remove the front bumper cover assembly to access the frame for speaker bracket installation. The assembly should be removed as one piece and not individually. Consult a local Ford service center for best disassembly method. Keep all hardware.
2. Using the included bolt, washer, and lock nut, fasten the two brackets together, as shown in Fig. 1. Leave the nut loose enough to allow the upper bracket to pivot. The driver's side mounting bracket is shown. If a passenger's side bracket was purchased, the bracket slots should face in the opposite direction to what is shown in Fig. 1.

**NOTE: The Universal Bail Bracket will not be used for this installation**

CONTAINS		
ITEM#	QTY	COMPONENT
1	1	2020 Utility Speaker Bracket
2	1	Speaker Holding Bracket
3	1	1/4-20 x 3/4" Hex Head Bolt
4	1	Flatwasher 1/4"
5	1	1/4-20 Nylon Lock Hex Nut
6*	2	18-8 Washer M6
	1	Installation Instruction Sheet
	1	Product Warning Card

\*Shown on Page 3

**NOTICE:**

Installers and users must comply with all applicable federal, state and local laws regarding use and installation of warning devices.

*Improper use or installation may void warranty coverage.*

To review our Limited Warranty Statement & Return Policy for this or any SoundOff Signal product, visit our website at [www.soundoffsignal.com/tech-services/returns/](http://www.soundoffsignal.com/tech-services/returns/). If you have questions regarding this product, contact **Technical Services**, Monday - Friday, 8 a.m. to 5 p.m. or after hours 5 p.m. to 8 p.m. ET at 1.800.338.7337 (press #4). Questions or comments that do not require immediate attention may be emailed to [techservices@soundoffsignal.com](mailto:techservices@soundoffsignal.com).

SUPERIOR CUSTOMER RELATIONSHIPS. SMARTLY DESIGNED LIGHTING & ELECTRONIC SOLUTIONS.

**FRAME MOUNT BRACKET (ONLY) FOR THE 100N SERIES SPEAKER**  
**2020 FORD PI UTILITY**  
ETSS100BKUV-X



**INSTALLATION (CONT.):**

3. Loosen the two frame bolts, as shown in Fig. 2. Create a gap of approximately 1/8".
4. Position the bracket with the slots in line with the two bolts and slide the bracket onto the bolts.
5. Retighten the two frame bolts to Ford specifications. The mounted bracket should look like the bracket shown in Fig. 3.

**NOTICE:**

Installers and users must comply with all applicable federal, state and local laws regarding use and installation of warning devices.

*Improper use or installation may void warranty coverage.*

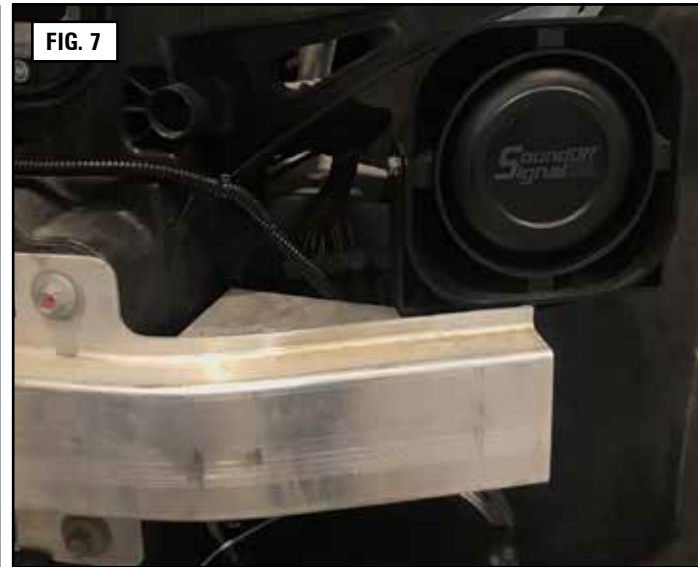
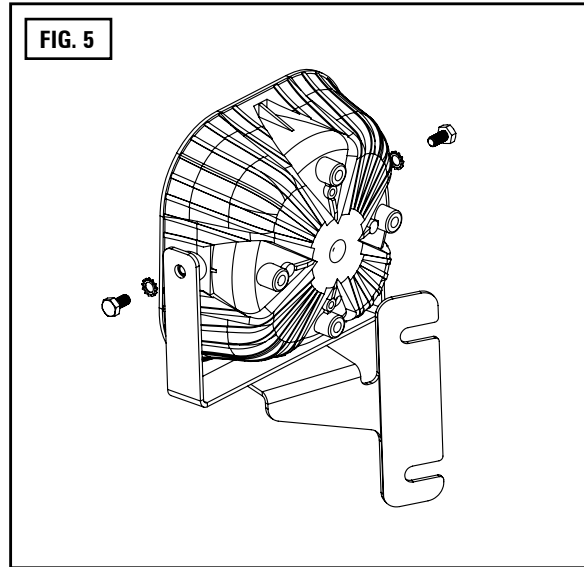
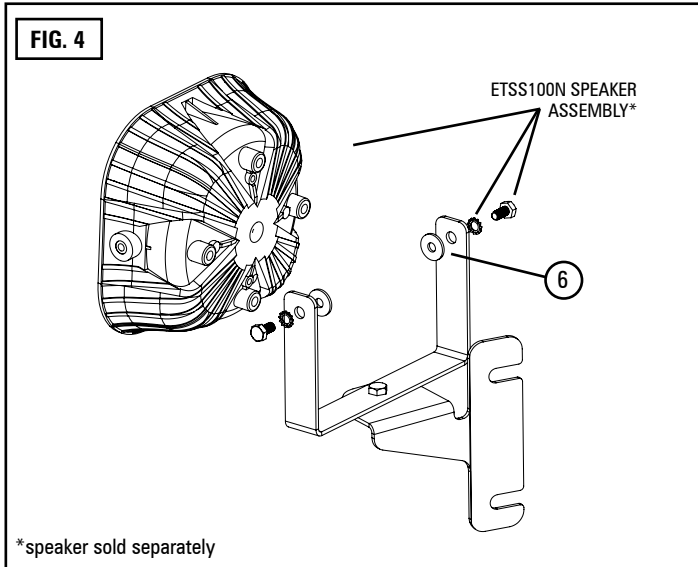
To review our Limited Warranty Statement & Return Policy for this or any SoundOff Signal product, visit our website at [www.soundoffsignal.com/tech-services/returns/](http://www.soundoffsignal.com/tech-services/returns/).  
If you have questions regarding this product, contact **Technical Services**, Monday - Friday, 8 a.m. to 5 p.m. or after hours 5 p.m. to 8 p.m. ET at **1.800.338.7337** (press #4).  
Questions or comments that do not require immediate attention may be emailed to [techservices@soundoffsignal.com](mailto:techservices@soundoffsignal.com).

**SUPERIOR CUSTOMER RELATIONSHIPS. SMARTLY DESIGNED LIGHTING & ELECTRONIC SOLUTIONS.**

**SoundOff**  
**Signal** 

1.800.338.7337 / [www.soundoffsignal.com](http://www.soundoffsignal.com)

**FRAME MOUNT BRACKET (ONLY) FOR THE 100N SERIES SPEAKER  
2020 FORD PI UTILITY  
ETSS100BKUV-X**



**INSTALLATION (CONT.):**

6. Attach the speaker\* to the upper bracket using the remaining hardware, ensuring that the speaker is facing towards the front of the vehicle. The two M6 washers should be placed on the inside of the upper bracket, as shown in Fig. 4.
7. Slide the extended tooth lock washers onto the two M6 bolts, and fasten the speaker to the upper bracket, as shown in Fig. 5. Tighten the bolts to 8 ft-lbs. The speaker assembly should not pivot when installed on the bracket.
8. With the speaker installed, pivot the upper bracket so the speaker is angled to the outside of the vehicle. Ensure the face of the speaker is nearly parallel with the trailing end of the bumper support, as shown in Fig. 6.
9. Tighten the 1/4"-20 bolt and lock nut to 8 ft-lbs. The upper bracket should not freely pivot at this time.
10. Connect the speaker to the wire harness.
11. Reinstall the front bumper cover assembly according to Ford specifications.

\*speaker sold separately

**NOTICE:**

Installers and users must comply with all applicable federal, state and local laws regarding use and installation of warning devices.

*Improper use or installation may void warranty coverage.*

To review our Limited Warranty Statement & Return Policy for this or any SoundOff Signal product, visit our website at [www.soundoffsignal.com/tech-services/returns/](http://www.soundoffsignal.com/tech-services/returns/). If you have questions regarding this product, contact **Technical Services**, Monday - Friday, 8 a.m. to 5 p.m. or after hours 5 p.m. to 8 p.m. ET at 1.800.338.7337 (press #4). Questions or comments that do not require immediate attention may be emailed to [techservices@soundoffsignal.com](mailto:techservices@soundoffsignal.com).

**SUPERIOR CUSTOMER RELATIONSHIPS. SMARTLY DESIGNED LIGHTING & ELECTRONIC SOLUTIONS.**

**SoundOff  
Signal**

1.800.338.7337 / [www.soundoffsignal.com](http://www.soundoffsignal.com)