

FORD PI SEDAN FRAME MOUNT

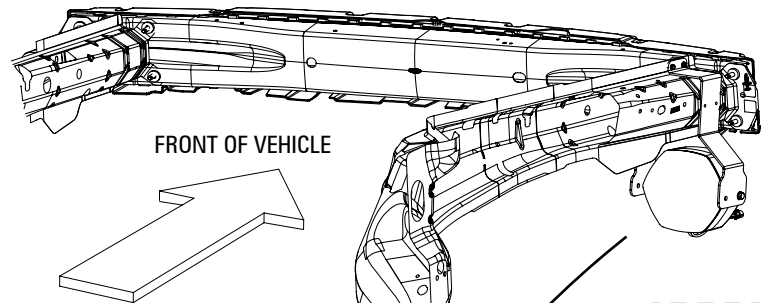
SPEAKER BRACKET

For 2013 - 2017 Model Years

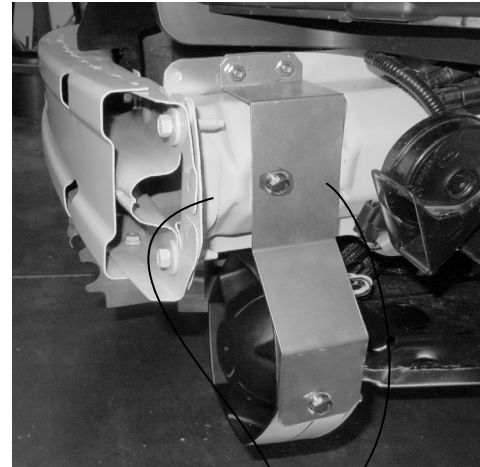
#ETSS100BKFD-FR Driver Side/ Passenger Side*

BRACKET IS COMPATIBLE WITH 100L (#ETSS100L),
100N (#ETSS100N) SPEAKERS.

*NOTE: DRIVER SIDE AND PASSENGER SIDE BRACKETS ARE
ATTACHED THE SAME. BRACKETS SHOULD BE ATTACHED AT ROUGHLY
THE SAME POSITION LONGITUDINALLY.

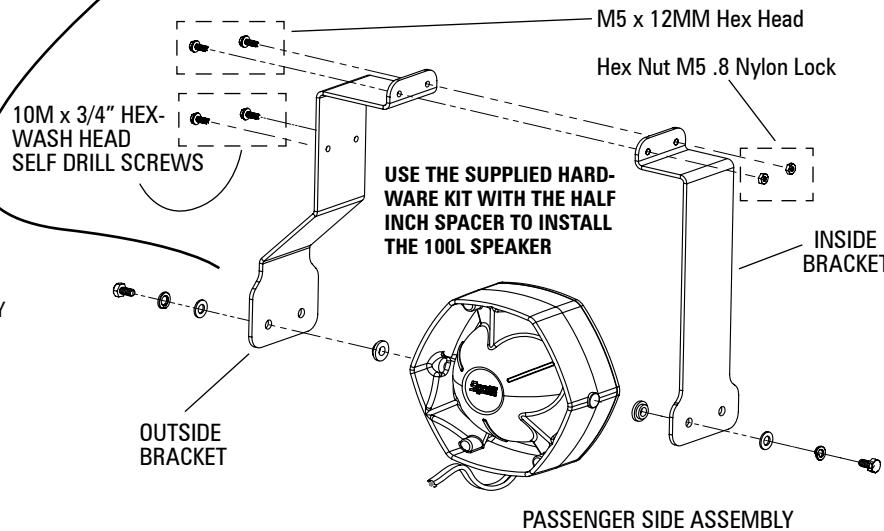


SELF-DRILLING SCREWS NOT SHOWN



DRIVER SIDE SHOWN

LOCATE BOTH BRACKETS BETWEEN
THE TWO RAISED AREAS ON THE
FRAME OF VEHICLE.



NOTE: DRIVER AND PASSENGER BRACKET ASSEMBLY
USE THE SAME INSTALLATION PROCEDURE

INSTALLATION:

- 1) Remove front bumper for ease of access.
- 2) Determine desired position of speaker (driver or passenger side).
- 3) Attach outside and inside bracket to the frame making sure they are within the two raised areas of frame as shown on picture on the left.
- 4) Mark and Drill holes with #7 drill for a M5 x 12M bolts in flange of structural member and secure with M5 nylon lock nut, and washer.
- 5) Screw (2) #10 -16 x 3/4" self-drilling screws on side of structural member with 5/16" hex head. Screws do not need pilot holes but may be used if desired. **DO NOT OVER-TIGHTEN** screws as this may strip holes.
- 6) Install speaker in bracket(s), wire speaker to siren output and test.

! WARNING



Sirens produce loud sounds that may damage hearing. To protect hearing:

- Roll up windows
- Wear hearing protection
- Use only for emergency response
- Avoid exposure to sound outside of vehicle

Important Information:

- Warning devices are strictly regulated and governed by Federal, State and Municipal ordinances. These devices shall be used **ONLY** on approved vehicles. It is the sole responsibility of the user of these devices to ensure compliance.



1.800.338.7337 / www.soundoffsignal.com

NOTICE:

Installers and users must comply with all applicable federal, state and local laws regarding use and installation of warning devices.

*Improper use or installation may void warranty coverage. To review our Limited Warranty Statement & Return Policy for this or any SoundOff Signal product, visit our website at www.soundoffsignal.com/support/. If you have questions regarding this product, contact **Technical Services**, Monday - Friday, 8 a.m. to 5 p.m. or after hours 5 p.m. to 8 p.m. EST at 1.800.338.7337 (press #4 to skip the automated message). Questions or comments that do not require immediate attention may be emailed to techservices@soundoffsignal.com.*

SUPERIOR CUSTOMER RELATIONSHIPS. SMARTLY DESIGNED LIGHTING & ELECTRONIC SOLUTIONS.

TECHNICAL SPECIFICATIONS	
Material:	Steel with powder coated black finish
Dimensions (bracket only):	9.34" H x 7.54" W x 2.64" D